



# PAINT VALLEY EQUIPMENT PRODUCT CATALOG 2026

330-674-0081 | [www.paintvalleyequipment.com](http://www.paintvalleyequipment.com)

*Durable U.S.-Manufactured Parts for Heavy Construction Equipment*

## WELCOME TO OUR DIGITAL CATALOG



### Crop

Crop any part of the page and instantly share, print or download



### Print

Print Catalog Page Range



### Table of Contents

Toggles the interactive table of contents



### Switch Page View

Click to switch page between single or double page views



### Share

Click to share catalog page(s) on social media or email



### Thumbnails

Brings up small page thumbnails at the bottom of the screen



### Search

Easily search by brand, part number or product description



### Add a Note

Click to add a note on a specific page



### Wishlist

Any Product SKU that is highlighted is clickable and can be added to a personal quote list. Click the my quote icon to view your saved products, download related Technical and Product Data Sheets and print or email directly to our sales team for fulfillment.

## TABLE OF CONTENTS

<b>SECTION A</b>	TRACK ADJUSTERS, SPRING ASSEMBLIES, ROCKGUARDS & WEAR PARTS
<b>SECTION B</b>	HYDRAULIC CYLINDERS & PUMPS
<b>SECTION C</b>	DOZER BLADE PARTS, CRAWLER LOADER PARTS, & SUSPENSION PARTS
<b>SECTION D</b>	EXCAVATOR BUCKET LINKAGE, PINS, & BUSHINGS
<b>SECTION E</b>	WHEEL LOADER LINKAGE, BELLCRANKS, PINS, & BUSHINGS
<b>SECTION F</b>	BRAKE PARTS, STEERING CLUTCH PARTS, & WINCH PARTS
<b>SECTION G</b>	LOADER BACKHOE FRONT & REAR AXLE PARTS
<b>SECTION H</b>	BACKHOE PARTS - STABILIZER PARTS, LINKAGE, PINS, & BUSHINGS
<b>SECTION I</b>	SWEEPS, SCREENS, SIDE SHIELDS, & ENGINE COMPARTMENT DOORS
<b>SECTION J</b>	TRANSMISSION, FINAL DRIVE PARTS, BEARING KITS, & DUO CONE SEALS
<b>SECTION K</b>	SEATS, EXHAUST PARTS, RADIATORS, WATER PUMPS, & MISC.
<b>SECTION L</b>	BUCKETS, CUTTING EDGES, THUMBS, RAKES, LOG ARCHES, & FORKS



**SECTION A**  
**TRACK ADJUSTERS, SPRING ASSEMBLIES, ROCK GUARDS & WEAR PARTS**



**Chain Guides**

**Idler Guide & Wear Plates**

**Recoil & Adjuster Assemblies**

**Rock Guards**

**Springs & Spring Assemblies**

**Track Adjusters (Dozers)**

**Track Adjuster & Spring Covers**

[www.paintvalleyequipment.com](http://www.paintvalleyequipment.com)

Phone: 877-774-0081

Section A

## SECTION A

### TRACK FRAME COMPONENTS

	Page
<b>CASE TRACK ADJUSTER COMPONENTS - DOZERS</b>	
310, 350	A1
450	A2
450B, 450C	A3
550E, 550G, 550H	A3
650, 650G, 850B, 850C, 855C, 850D, 855D	A4
650, 650G, 650H, 650K, 650M	A5
750H, 750K, 750L, 750M	A5
850D, 850E, 850G, 850H, 850K, 850L, 850M	A5
1150B	A6
1150C, 1150D, 1150E, 1150G, 1150H, 1155D, 1155E	A7
1450, 1450B, 1455B, 1550	A7
<b>JOHN DEERE TRACK ADJUSTER COMPONENTS - DOZERS</b>	
350, 350B, 350C, 350D, 440, 400G, 1010	A8
450, 450B, 450C, 450D, 450E	A9
550, 550B, 555, 555B	A9
450G, 455G, 550G, 555G, 650G	A10, A11
450H, 550H, 650H	A12, A13
450J, 550J, 650J	A12, A13
450K, 450 P, 550K, 550 P, 650K, 650 P	A12, A13
700H, 700J, 700K, 700L, 700 P	A14 - A16
750J, 750K, 750L, 750 P, 850J, 850K, 850L, 850 P, 850X	A17
655, 655B, 750, 750B, 750C, 755, 755A, 755B	A18
850, 850B, 850C	A18
<b>CATERPILLAR TRACK ADJUSTER COMPONENTS - DOZERS</b>	
D3, D3B, D3C, D4, D4C	A19
D3C, D3G, D4C, D4G	A20
D5C, D5G	A21
D5K, D5K2, D3 Next Gen	A22, A23
D6K, D6K2	A24
<b>DRESSER TRACK ADJUSTER COMPONENTS - DOZERS</b>	A25, A26
<b>KOMATSU TRACK ADJUSTER COMPONENTS - DOZERS</b>	
D31, D37	A27
D61	A28
<b>CASE ROCKGUARDS AND GUIDES - DOZERS</b>	A29 - A31
<b>JOHN DEERE ROCKGUARDS AND GUIDES - DOZERS</b>	A32 - A34
<b>CAT ROCKGUARDS AND GUIDES - DOZERS</b>	A34
<b>KOMATSU ROCKGUARDS AND GUIDES - DOZERS</b>	A34
<b>EXCAVATOR CHAIN GUIDES</b>	A34
<b>EXCAVATOR TRACK ADJUSTER / RECOIL ASSEMBLIES</b>	
JOHN DEERE & HITACHI	A35, A36
KOMATSU	A36
CATERPILLAR	A37

## Section A

2026 Parts Catalog



## Meet The PVE Team

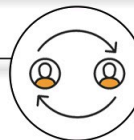
## PVE Core Values



Be **RESPONSIVE** to your needs through excellence customer service



Continually be **INNOVATIVE** to provide premium industry solutions and unbeatable services to you



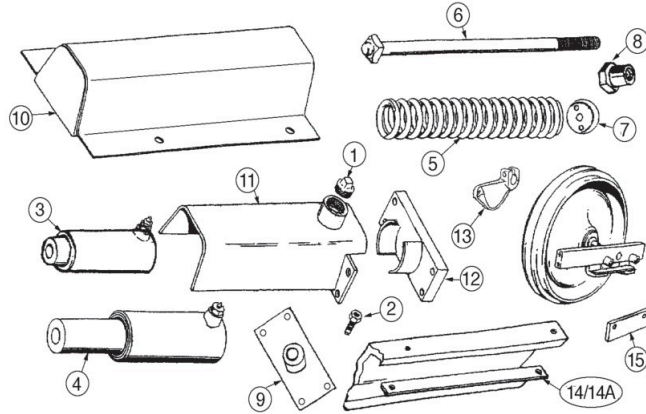
Be **RESPECTFUL** as we humbly serve you, the business partner and your customers



Be **COMMUNITY** oriented serving industry and local community involvement initiatives

**TRACK ADJUSTERS**

CASE



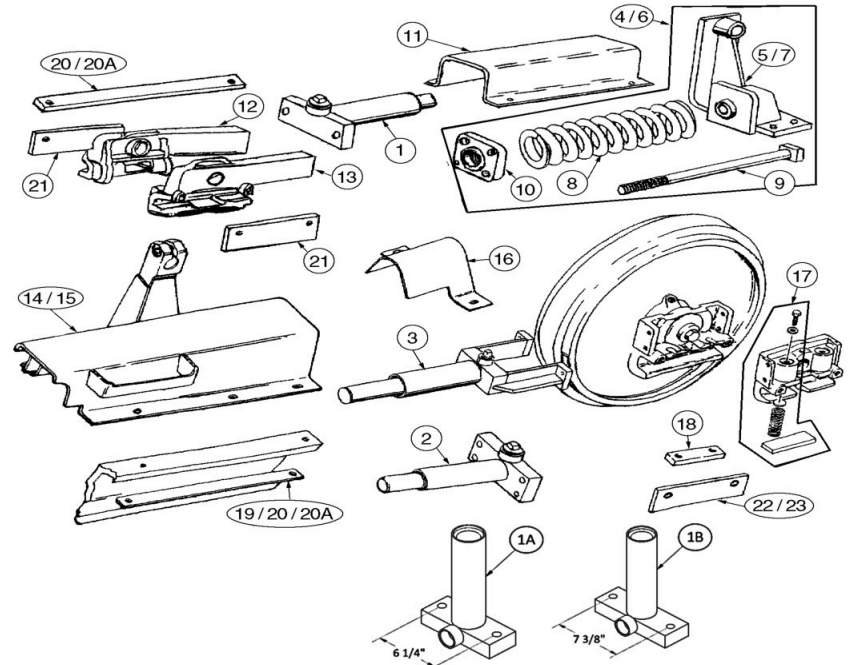
Ref. Part No.	Description	Notes	Qty.	Wt.
1	217-532	Plug	2	0.2
2	D35287	Fitting	2	0.1
<b>CASE 310, 350</b>				
3	D42202	Track Adjuster Assembly	2	14
	D42199	Tube	2	9
	R48241	Rod	2	8
	907001	Seal Kit	2	1
<b>CASE 350B</b>				
4	R41362	Track Adjuster Assembly	2	17
	D42199	Tube	2	9
	R48240	Rod	2	8
	907001	Seal Kit	2	1
<b>CASE 310 For Manual Adjuster</b>				
5	D39498	Track Tension Spring	2	25
6	D20845	Bolt	2	7
7	D20844	Threaded Ring	2	3.4
8	D20843	Threaded Nut	2	1.4
9	PV415	Adapter	2	11
<b>CASE 350, 350B</b>				
10	R46068	Recoil Spring Assemb R/H or L/H	2	48
11	D43513	Adjuster Shield	2	7
12	D43510	Adjuster Mount	2	Not available
13	D42198	Top Roller Bracket	2	8
<i>To use R46068 on 310 machines, use Reference # 3 &amp; # 12 with 350 style idler</i>				
<b>CASE 310, 350, 350B</b>				
14	D35276	Wear Plate	4	3
14A	PV432	Wear Plate	4	3
15	D43509	Idler Guide Plate	4	3

A1

2026 Parts Catalog

**TRACK ADJUSTERS**

CASE



Ref. Part No.	Description	Notes	Qty.	Wt.	
217-532	Plug	All adjusters	2	0.2	
D35287	Fitting	Case track adjusters	2	0.1	
<b>CASE 450 to s/n 3050800</b>					
1	D35504	Track Adjuster Assembly	2 Bolt	2	24
1A	D35507	Yoke	6 1/4" Center to Center	2	16
	D35506	Rod w/ hole		2	8
	907002	Seal Kit		2	1
<b>CASE 450 to s/n 3050800</b>					
1	D48596	Track Adjuster Assembly	2 Bolt	2	26
1B	D48595	Yoke	7 3/8" Center to Center	2	18
	D35506	Rod w/ hole		2	8
	907002	Seal Kit		2	1
<b>CASE 450 after s/n 3050800</b>					
2	R29709	Track Adjuster Assembly	4 Bolt	2	33
	R24561	Yoke		2	20
	R51793	Rod		2	8
	907002	Seal Kit		2	1

A2

2026 Parts Catalog

**TRACK ADJUSTERS**

**CASE**

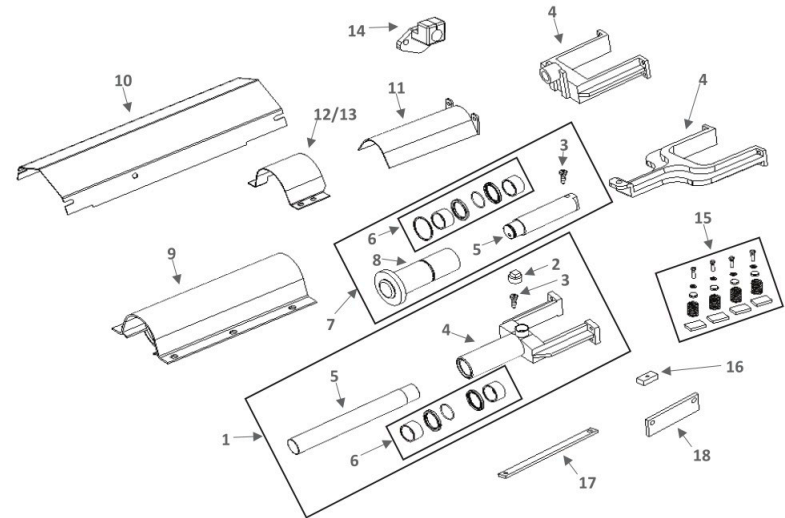
Ref. Part No.	Description	Notes	Qty.	Wt.	
<b>CASE 450B, 450C, 455, 455B, 455C</b>					
3	R51909	Track Adjuster Assembly	2	39	
	389390A1	Yoke	2	30	
	R51793	Rod	2	8	
	907002	Seal Kit	2	1	
<b>CASE 450C Long Track, 550 to s/n JAK0013968</b>					
3	R54459	Track Adjuster Assembly	2	45	
	389390A1	Yoke	2	30	
	R54460	Rod	2	15	
	907002	Seal Kit	2	1	
<b>CASE 550 after s/n JAK0013968</b>					
3	R57442	Track Adjuster Assembly	2	45	
	389390A1	Yoke	2	30	
	R57443	Rod	2	15	
	907002	Seal Kit	2	1	
<b>CASE 550E, 550G, 550H (steel track models only)</b>					
3	R58480	Track Adjuster Assembly	2	41	
	389390A1	Yoke	2	30	
	R58450	Rod	2	9	
	907002	Seal Kit	2	1	
	R58451	Rod Spacer	2	6.5	
<b>CASE 450 to s/n 3050800</b>					
4	PV603	Recoil Spring Assembly L/H	1	80	
5	D35355	Top Roller Mounting Bracket L/H	1	28	
6	PV604	Recoil Spring Assembly R/H	1	80	
7	D35354	Top Roller Mounting Bracket R/H	1	28	
8	D35277	Recoil Spring	2	40	
9	D38668	Bolt	2	8	
10	D47539	Nut	2	5.7	
11	D35337	Spring Cover	2	12	
12	D48593	Idler Bracket R/H	Use with D48596 Track Adjuster	2	26
13	D48592	Idler Bracket L/H	Use with D48596 Track Adjuster	2	26
<b>CASE 450 (After s/n 3050800) 450B, 450C, 455C, 550, 550E, 550G, 550H</b>					
14	187916A2	Recoil Spring Assembly L/H	Will replace 109711A2	2	100
15	187917A2	Recoil Spring Assembly R/H	Will replace 109712A2	2	100
16	R57631	Adjuster Cover	550, 550E, 550G, 550H	2	3
<b>CASE 450, 450B, 450C, 455C, 550, 550E, 550G, 550H</b>					
17	144392A3	Idler Wear Kit	For R58710 Idler	2	2.8
18	R52401	Spacer Plate	450C, 550, 550E	4	1
19	R58373	Wear Plate, 3/8" thick	550E, 550G, 550H	4	2
20	D35276	Wear Plate, 3/8" thick	450, 450B, 455B, 450C, 455C, 550	4	3
20A	PV432	Wear Plate, 1/2" thick	(D35276)	4	3
21	D35269	Idler Guide Plate	450	4	4
22	R48847	Idler Guide Plate	450B	4	4
23	R49772	Idler Guide Plate	450C, 455C, 550, 550E, 550G, 550H	4	4

**A3**

2026 Parts Catalog

**TRACK ADJUSTERS**

**CASE**



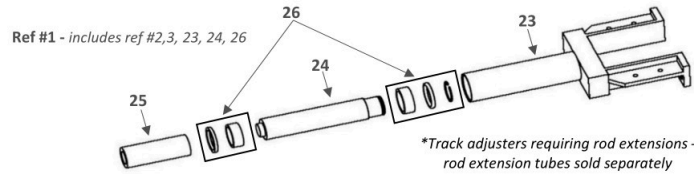
Ref. Part No.	Description	Notes	Qty.	Wt.	
2	217-532	Plug	All adjusters	2	0.2
3	D35287	Fitting	Case track adjusters	2	0.1
<b>CASE 650, 650G</b>					
1	R57098	Track Adjuster Assembly	5 roller track frame	2	54
4	R31976	Yoke		2	34
5	R57099	Rod		2	19
6	907004	Seal Kit		2	1
<b>CASE 850, 1150</b>					
7	D39930	Track Adjuster Assembly		2	28
8	D36357	Tube		2	17
5	D36361	Rod		2	11
6	907003	Seal Kit		2	1
4	D36360	Yoke	850, 1150 6 roller track frame	2	40
<b>CASE 850B, 850C, 850D, 855C, 855D</b>					
1	R32467	Track Adjuster Assembly	5 Roller track frame	2	52
4	R31976	Yoke		2	34
5	R31983	Rod		2	18
6	907004	Seal Kit		2	1
<b>CASE 650, 650G, 650H, 750H, 850B, 850C, 850D, 850E, 850G, 850H, 855C, 855D, 855E</b>					
9	334260A1	Recoil Spring Assembly	R/H & L/H are same	2	129
10	123529A2	Spring Cover	650G, 650H, 750H, 850G, 850H Only	2	22
11	R57604	Adjuster Shield, Front, 14.17" Long	Not for 650H	2	6
11	R46855	Adjuster Shield, Front 11.81" Long	NLA, Order R57604	2	
11	126564A1	Adjuster Shield, Front, 20.625" Long	850D LT, 850E LT, 850G	2	8
12	R35422	Adjuster Shield, Rear	L/H	1	4
13	R35423	Adjuster Shield, Rear	R/H	1	4

**A4**

2026 Parts Catalog

**TRACK ADJUSTERS**

Ref. Part No.	Description	Notes	Qty.	Wt.	
<b>CASE 650, 650G, 650H, 750H, 850B, 850C, 850D, 850E, 850G, 850H, 855C, 855D, 855E (Cont.)</b>					
14	D45485	Top Roller Bracket	2	8	
15	144393A3	Idler Wear Kit	For 103384A1 Idler	2	3.5
16	R45568	Spacer Plate	4	1	
17	R32465	Wear Plate	3/8" thick	4	2
17	PV433	Wear Plate	1/2" thick	4	3
18	R45570	Idler Guide Plate	4	4	



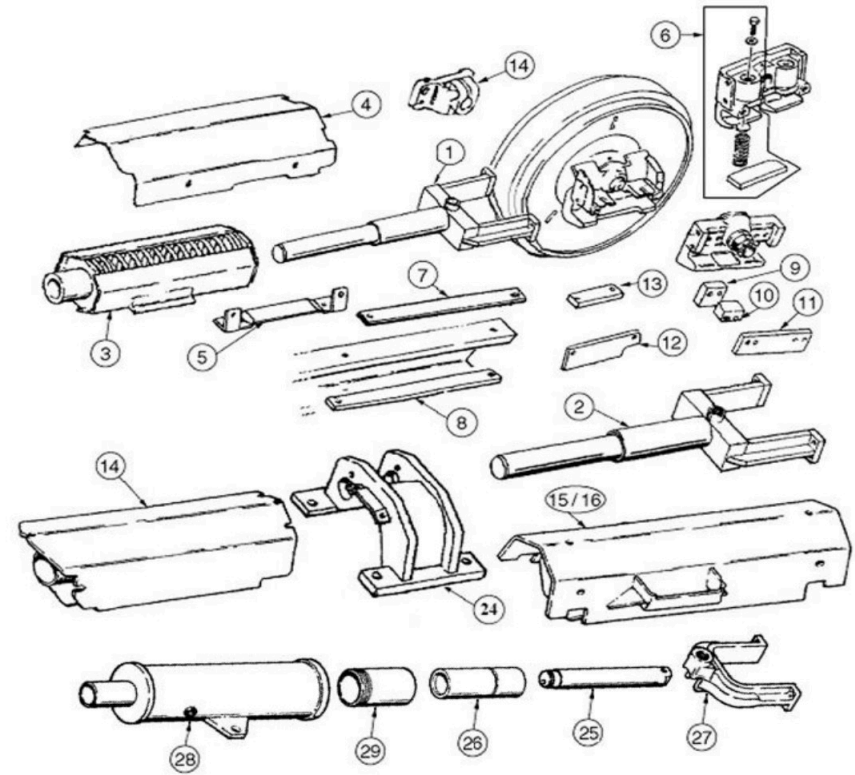
<b>CASE 650G, 650H, 750H, 850D, 850E, 850G, 850H</b>					
1	129162A1	Track Adjuster*	6 Roller track frame	2	52
23	R31976	Yoke		2	34
24	345091A1	Rod		2	15
26	907004	Seal Kit		2	1
25	345070A2	Tube, Rod Extension	650G, 750H, 850H	2	4.5
25	328671A2	Tube, Rod Extension	650H	2	3.6
25	345071A1	Tube, Rod Extension	850D LT, 850E, 850G	2	10
<b>CASE 650K, 750K, 750L, 750M Tier4A, 850K, 850L, 850M Tier4A</b>					
1	435383A1	Track Adjuster*	R/H	1	52
23	435378A1	Yoke	R/H	1	35
24	345091A1	Rod		2	15
26	907004	Seal Kit		2	1
1	435384A1	Track Adjuster*	L/H	1	52
23	435379A1	Yoke	L/H	1	35
24	345091A1	Rod		2	15
26	907004	Seal Kit		2	1
25	429594A1	Tube, Rod Extension	650K, 750K Ser. 1, 850K Ser. 1	2	4.5
25	87571955	Tube, Rod Extension	750K Ser. 2, 750L	2	3.5
25	436240A1	Tube, Rod Extension	850K Ser. 2, 850K Ser. 3, 850L	2	5.5
<b>CASE 650L</b>					
1	87631118	Track Adjuster*		2	47
23	N55	Yoke		2	
24	345091A1	Rod		2	15
26	907004	Seal Kit		2	1
25	87650042	Tube, Rod Extension		2	9.5
<b>CASE 650M</b>					
1	48119441	Track Adjuster*		2	54
23	48119443	Yoke		2	38
24	48119445	Rod		2	15.5
26	48124898	Seal Kit	Also fits 750M Tier 4B, 850M Tier 4B	2	0.2
25	47976765	Extension Tube		2	10

A5

2026 Parts Catalog

**TRACK ADJUSTERS**

**CASE**



Ref. Part No.	Description	Notes	Qty.	Wt.	
217-532	Plug	All adjusters	2	0.2	
D35287	Fitting	Case track adjusters	2	0.1	
<b>CASE 1150B</b>					
R27161	Track Adjuster Assembly		2	30	
25	R26024	Rod	2	19	
26	R25658	Inner Tube	2	10	
	907004	Seal Kit	2	1	
27	R43258	Idler Yoke	2	28	
28	R40630	Recoil Spring Assembly	Dozer models only	2	186
29	R25664	Large Tube	Threaded	2	11

A6

2026 Parts Catalog

**TRACK ADJUSTERS**

**CASE**

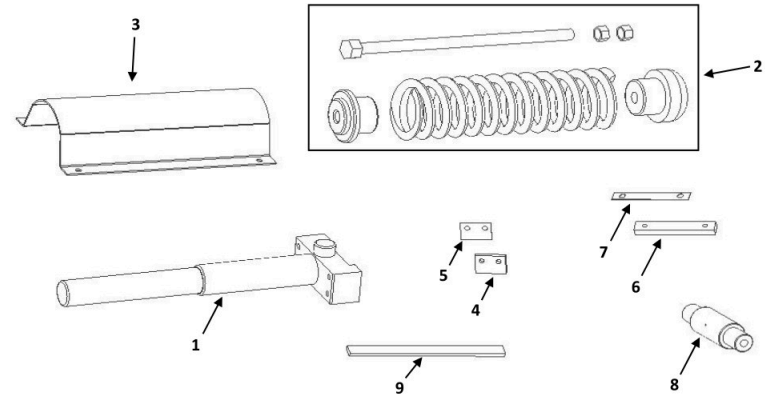
Ref. Part No.	Description	Notes	Qty.	Wt.
<b>CASE 1150C, 1150D, 1150E, 1155D, 1155E</b>				
1	R45815	Track Adjuster Assembly	6 Roller track frame	2 58
	R45458	Yoke		2 38
	R39210	Rod		2 20
	907004	Seal Kit		2 1
<b>CASE 1150C, 1150D, 1150E Long Track &amp; LGP, 1150G, 1150H</b>				
1	R45460	Track Adjuster Assembly	7 Roller track frame	2 72
	R45458	Yoke		2 38
	143807A1	Rod		2 33
	907004	Seal Kit		2 1
<b>CASE 1450, 1455</b>				
2	PV312	Track Adjuster Assembly	6 Roller track frame	2 64
	R54263	Yoke		2 48
	R28359	Rod		2 15
	907004	Seal Kit		2 1
<b>CASE 1450B, 1455B, 1550</b>				
2	R52132	Track Adjuster Assembly	6 Roller track frame	2 76
	R54263	Yoke		2 48
	R34798	Rod		2 31
	907004	Seal Kit		2 1
<b>CASE 1450B, 1550 Long Track &amp; LGP</b>				
2	R52131	Track Adjuster Assembly	7 Roller track frame	2 95
	R54263	Yoke		2 48
	R43141	Rod		2 46
	907004	Seal Kit		2 1
<b>CASE 1150C, 1150D, 1155D, 1150E, 1155E, 1150G, 1150H</b>				
	R43094	Recoil Spring Assembly	1150C	
		(Order (1) R57728, (1) PV336, (2) R45634, brackets are welded on 1150C)		
3	R57728	Recoil Spring Assy.	1150D, 1155D, 1150E, 1155E, 1150G, 1150H, 1150K Ser.3	2 151
4	PV336	Recoil Spring Cover	1150C Dozer	2 31
	R45472	Recoil Spring Cover	1150D, 1155D, 1150E, 1155E, 1150G, 1150H	2 26
5	R45634	Bracket	1150D, 1155D, 1150E, 1155E, 1150G, 1150H	4 5
<b>CASE 1150B, 1150C, 1150D, 1150E, 1150G, 1150H, 1155B, 1155C, 1155D, 1155E</b>				
6	144394A3	Idler Wear Kit	For R58616 Idler	2 7
7	R25692	Wear Plate		4 4
8	R40782	Wear Plate	3/8" thick	4 3
8	PV434	Wear Plate	1/2" thick	4 4
9	R25694	Thrust Block Inner		8 3
11	R30204	Idler Guide Plate		4 5
12	R44516	Idler Guide Plate		4 5
13	R52679	Wear Plate		4 5
14	R27143	Top Roller Bracket		2 20
24	R36522	Bracket	Equalizer Beam, 1150C	2 38

A7

2026 Parts Catalog

**TRACK ADJUSTERS**

**JOHN DEERE**



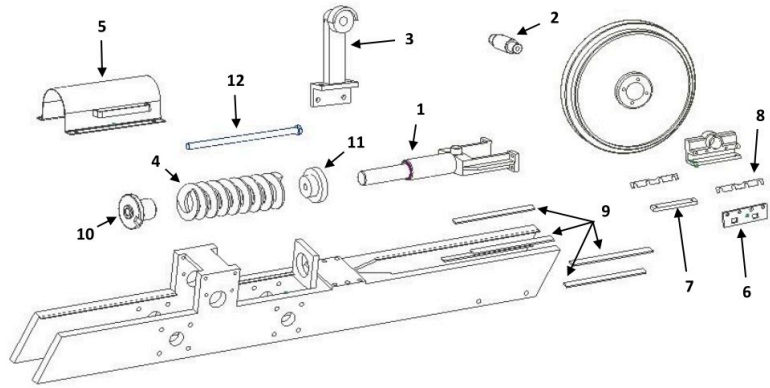
Ref. Part No.	Description	Notes	Qty.	Wt.
217-532	Plug	All adjusters	2	0.2
255925	Fitting	Will not fit OEM Adjusters	2	0.1
<b>JOHN DEERE 440, 350, 350B, 350C, 350D, 1010, 400G</b>				
1	PV303	Track Adjuster Assembly	5 Roller track frame	2 38
	T145145	Yoke		2 22
	AT36389	Rod		2 14
	905000	Seal Kit		2 1
<b>JOHN DEERE 400G Long Track</b>				
1	PV302	Track Adjuster Assembly	6 Roller track frame	2 46
	T145145	Yoke		2 22
	AT36390	Rod		2 17
	905000	Seal Kit		2 1
<b>JOHN DEERE 350, 350B, 350C, 350D, 1010, 400G</b>				
2	PV601	Recoil Spring Assembly		2 51
3	T10018	Spring Cover		2 10
4	T27516	Idler Guide Plate		8 0.4
5	T20850	Shim	350, 350B, 350C, 350D, 400G	AR 0.05
6	T20851	Threaded Plate		4 1.1
7	T20852	Shim	350, 350B, 350C, 350D, 400G	12 0.1
8	T16844	Idler Shaft	350, 350B, 350C, 350D, 2010	2 6.6
9	AT133230	Wear Plate		4 2

A8

2026 Parts Catalog

**TRACK ADJUSTERS**

**JOHN DEERE**



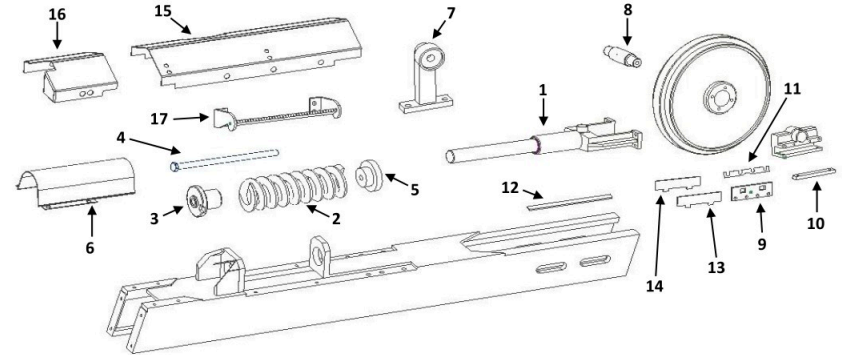
Ref. Part No.	Description	Notes	Qty.	Wt.
217-532	Plug	All adjusters	2	0.2
2S5925	Fitting	Will not fit OEM Adjusters	2	0.1
<b>JOHN DEERE 450 Loader, 450, 450B, 450C, 450D, 450E, 550, 550B, Dozer</b>				
1	PV300	Track Adjuster Assembly	2	50
	T20700	Yoke	2	34
	AT36391	Rod	2	15
	905000	Seal Kit	2	1
<b>JOHN DEERE 450E, 550, 550B, Long Track</b>				
1	PV305	Track Adjuster Assembly	2	57
	T20700	Yoke	2	34
	AT113396	Rod	2	19
	905000	Seal Kit	2	1
<b>JOHN DEERE 450B, 450C, 455D, 455E, 555, 555B, Loader</b>				
1	PV301	Track Adjuster Assembly	2	55
	T20700	Yoke	2	34
	AT36390	Rod	2	17
	905000	Seal Kit	2	1
<b>JOHN DEERE 450, 450B, 450C, 450D, 450E, 455D, 455E, 550, 550B, 555, 555B</b>				
2	T40826	Front Idler Shaft	2	9.5
	AT31128	Top Roller Bracket	2	29
	T106882	Recoil Spring	2	50
	AT84806	Spring Cover	2	12
	T112813	Idler Guide Plate	4	2
	T20696	Threaded Plate	4	1.3
	T20697	Shim	AR	0.1
	AT21030	Wear Strip Set	2	5
	T32049	Cap, rear	2	14
	T106909	Cap, Front	2	9.2
	PV3682	Bolt	1	4
		To install spring		

A9

2026 Parts Catalog

**TRACK ADJUSTERS**

**JOHN DEERE**



Ref. Part No.	Description	Notes	Qty.	Wt.
217-532	Plug	All adjusters	2	0.2
2S5925	Fitting	Will not fit OEM Adjusters	2	0.1
<b>JOHN DEERE 450G, 455G</b>				
1	PV304	Track Adjuster Assembly	2	60
	T147438	Yoke	2	34
	AT124172	Rod	2	28
	SK100103	Seal Kit	2	0.2
<b>JOHN DEERE 550G to s/n 770862</b>				
1	PV306	Track Adjuster Assembly	2	60
	T147438	Yoke	2	34
	AT124171	Rod	2	26
	SK100103	Seal Kit	2	0.2
<b>JOHN DEERE 555G</b>				
1	PV313	Track Adjuster Assembly	2	60
	T147438	Yoke	2	34
	AT124174	Rod	2	33
	SK100103	Seal Kit	2	0.2
<b>JOHN DEERE 450G LT &amp; LGP, 550G after s/n 770862, 650G</b>				
1	PV314	Track Adjuster Assembly	2	60
	T147438	Yoke	2	34
	AT124173	Rod	2	30
	SK100103	Seal Kit	2	0.2

A10

2026 Parts Catalog

**TRACK FRAME PARTS**

**JOHN DEERE**

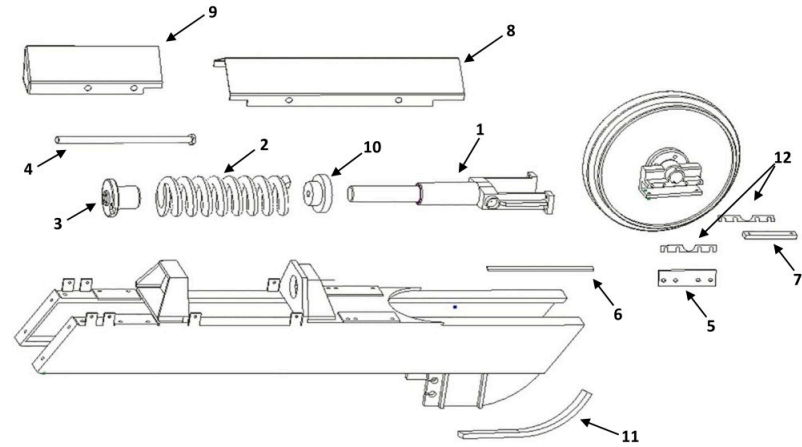
Ref. Part No.	Description	Notes	Qty.	Wt.	
<b>JOHN DEERE 450G, 455G, 550G</b>					
2	T106882	Recoil Spring	2	50	
3	T32049	Cap, rear	2	14	
4	PV3682	Bolt	1	4	
		<i>To install spring</i>			
5	T106909	Cap, front	2	9.2	
6	T121455	Spring Cover	2	1	
7	AT161857	Top Roller Bracket	455G s/n -770862, 450G, 550G	2	32
7	AT161844	Top Roller Bracket	455G s/n 770863-	2	32
8	T40826	Idler Shaft	2	9.5	
9	T112813	Idler Guide Plate	4	2	
10	T20696	Threaded Plate	4	1.3	
11	T20697	Shim	<i>Idler Wear &amp; Idler Guide</i>	AR	0.1
12	T105530	Wear strip	<i>On track frame</i>	4	0.7
13	T144187	Plate	4	0.5	
14	T144186	Shim	AR	0.5	
<b>JOHN DEERE 450G, 455G, after s/n 770862</b>					
15	T158525	Cover L/H	<i>5 Roller track frame</i>	1	30
15	T158526	Cover R/H		1	30
16	AT175386	Cover, Rear	<i>R/H or L/H</i>	2	17
16	AT172539	Step	<i>All G Models</i>	2	8.5
<b>JOHN DEERE 450G Long Track &amp; LGP, 550G, after s/n 770862</b>					
15	T158527	Cover R/H	<i>6 Roller track frame</i>	1	30
15	T158528	Cover L/H		1	30
16	AT175394	Cover, Rear R/H		1	18
16	AT175395	Cover, Rear L/H		1	18
17	AT172539	Step	<i>All G Models</i>	2	8.5
<b>JOHN DEERE 555G, 650G</b>					
2	T105605	Recoil Spring	2	68	
3	T32049	Cap, rear	2	14	
4	PV3682	Bolt	1	4	
		<i>To install spring</i>			
5	T106909	Cap, front	2	9.2	
6	T121455	Spring Cover	2	11	
7	AT161857	Top Roller Bracket	555G s/n -770862, 650G	2	32
7	AT161844	Top Roller Bracket	555G s/n 770863-	2	32
15	T158535	Cover R/H	<i>650G s/n 770863-852135</i>	1	29
15	T158536	Cover L/H	<i>650G s/n 770863-852135</i>	1	30
16	AT175394	Cover Rear R/H		1	18
16	AT175395	Cover Rear L/H		1	18
17	AT172539	Step	<i>used with T158535, T158536, use with pads less than 18"</i>	1	8.5
9	T105526	Guide Plate	4	2	
10	T20696	Threaded Plate	4	1.3	
11	T105529	Shim		AR	0.1
12	T105530	Wear strip	<i>On track frame</i>	4	0.7
13	T144188	Plate	4	1	
14	T144189	Shim	AR	1	

A11

2026 Parts Catalog

**TRACK ADJUSTERS & WEAR PLATES**

**JOHN DEERE**



Ref. Part No.	Description	Notes	Qty.	Wt.	
217-532	Plug	<i>All adjusters</i>	2	0.2	
2S5925	Fitting	<i>Will not fit OEM Adjusters</i>	2	0.1	
<b>JOHN DEERE 450H</b>					
1	PV323	Track Adjuster Assembly	<i>5 Roller Track Frame</i>	2	45
	T169180	Yoke		2	31
	AT207649	Rod		2	13
	SK100103	Seal Kit		2	0.2
<b>JOHN DEERE 450H LT, 450H LGP, 550H LT, 550H LGP 450J LT, 450J LGP, 550J LT, 550J LGP, (standard UC) 450K, 550K s/n 305398-, 450 P, 550 P (heavy duty UC)</b>					
1	PV324	Track Adjuster Assembly	<i>6 Roller Track Frame</i>	2	45
	T169180	Yoke		2	31
	T257068	Rod		2	13
	SK100103	Seal Kit		2	0.2
<b>JOHN DEERE 650H LT, 650H LGP, 650J LT s/n -159986 DOZERS, 605C s/n -010724 LOADER</b>					
1	PV325	Track Adjuster Assembly	<i>6 Roller Track Frame</i>	2	52
	T169180	Yoke		2	31
	AT211001	Rod		2	20
	SK100103	Seal Kit		2	0.2

A12

2026 Parts Catalog

**TRACK ADJUSTERS & WEAR PLATES**

**JOHN DEERE**

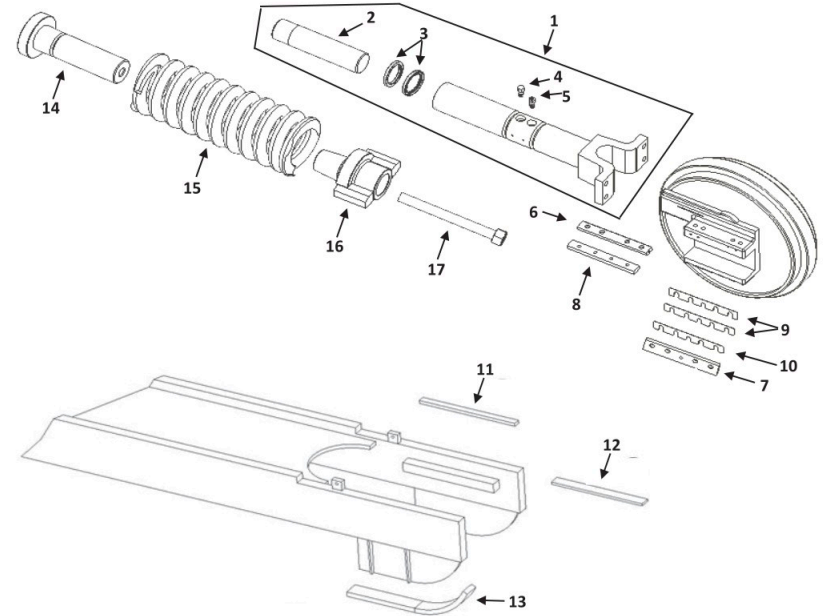
Ref. Part No.	Description	Notes	Qty.	Wt.
<b>JOHN DEERE 650H XLT, 650J XLT s/n -159986, 650J LGP s/n -159986 550K s/n -303907 (standard UC, 42 Link)</b>				
1	PV326	Track Adjuster Assembly	7 Roller Track Frame	2 60
	T169180	Yoke		2 31
	T257067	Rod		2 28
	SK100103	Seal Kit		2 0.2
<b>JOHN DEERE 450J LT, 450J LGP, 550J LT, 550J LGP, (s/n 159987- max life UC) 650J LT s/n 159987-, (450K, 550K s/n 305398- max life UC) 450 P, 550 P (max life UC, 37 Link), 605C s/n 010725-, 605K LOADER</b>				
1	PV329	Track Adjuster Assembly	6 Roller Track Frame	2 61
	T223025	Yoke		2 32
	T257066	Rod		2 28
	SK100103	Seal Kit		2 0.2
<b>JOHN DEERE 650J XLT s/n 159987-, 650J LGP s/n 159987- 550K s/n -303907 (max life UC, 39 Link), 650K XLT, 650K LGP, 650 P</b>				
1	PV330	Track Adjuster Assembly	7 Roller Track Frame	2 61
	T223025	Yoke		2 32
	T257067	Rod		2 28
	SK100103	Seal Kit		2 0.2
<b>JOHN DEERE 450H, 450J, 450K, 450 P, 550H, 550J, 550K, 550 P, 650H, 650J, 650K, 650 P</b>				
2	T106882	Recoil Spring	450H, 450J, 450K, 450 P, 550H, 550J, 550K, 550 P	2 50
2	T105605	Recoil Spring	650H, 650J, 650K, 605K, 650 P	2 68
3	T32049	Cap, rear		2 14
4	PV3682	Bolt	To install spring	1 4
5	T172899	Guide Plate		4 1.9
6	T105530	Wear strip	On track frame	4 0.7
7	T20696	Threaded Plate		4 1.3
12	T173517	Shim		AR 0.1
10	T106909	Cap, front		2 9.2
11	T204192	Front Chain Guide Slide		4 7
<b>JOHN DEERE 450H, 450J, 450K, 450 P, 550H, 550J, 550K, 550 P</b>				
8	T172588	Cover, L/H		1 26
8	T172591	Cover, R/H		1 26
9	AT209843	Cover, Rear L/H		1 18
9	AT209844	Cover, Rear R/H		1 18
<b>JOHN DEERE 650H, 650J, 650K, 650 P</b>				
8	T173978	Cover, L/H		1 27
8	T173979	Cover, R/H		1 27
9	AT210987	Cover, Rear L/H		1 19
9	AT210988	Cover, Rear R/H		1 19

A13

2026 Parts Catalog

**TRACK ADJUSTER & WEAR PLATES**

**JOHN DEERE**



Ref. Part No.	Description	Notes	Qty.	Wt.
<b>JOHN DEERE 700H LT, 700J LT</b>				
1	AT221027	Track Adjuster Assembly	(6 roller track frame)	2 101
2	T175900	piston (NSS)		2 93
3	PV7560	packing		2 0.1
4	T120720	pressure relief valve		2 0.1
5	AT159554	check valve		2 0.1
6	T177313	Plate		4 1.8
7	T177308	Wear Plate		4 2.6
8	T177309	Bar		4 2.4
9	T178085	Solid Shim	Thickness 0.037	8 0.1
10	T177876	Solid Shim	Thickness 0.058	4 0.1
11	T176089	Top Wear Plate		2 2
12	T389692	Wear Plate, Idler		4 1.2
13	T175773	Front Chain Guide Slide		4 9.8
14	T176745	Adapter Fitting, Threaded		2 39
15	T179322	Recoil Spring		2 93
16	T176721	Housing	Not Available	2
17	PV3683	Bolt	To install spring	1 5.5

A14

2026 Parts Catalog

**TRACK ADJUSTER & WEAR PLATES**

**JOHN DEERE**

Ref.	Part No.	Description	Notes	Qty.	Wt.
<b>JOHN DEERE 700H XLT, 700H LGP, 700J XLT, 700J LGP, 700K XLT, 700K LGP</b>					
1	AT221427	Track Adjuster Assembly	7 roller track frame	2	110
2	T175900	piston (NSS)		2	
3	PV7560	packing		2	0.1
4	T120720	pressure relief valve		2	0.1
5	AT159554	check valve		2	0.1
6	T177313	Plate		4	1.8
7	T177308	Wear Plate		4	2.6
8	T177309	Bar		4	2.4
9	T178085	Solid Shim	Thickness 0.037	8	0.1
10	T177876	Solid Shim	Thickness 0.058	4	0.1
11	T176089	Top Wear Plate		4	2
12	T389692	Wear Plate, Idler		4	1.2
13	T175773	Front Chain Guide Slide		4	9.8
14	T176745	Adapter Fitting, Threaded		2	39
15	T179322	Recoil Spring		2	93
16	T176721	Housing	Not Available	2	
17	PV3683	Bolt	To install spring	1	5.5

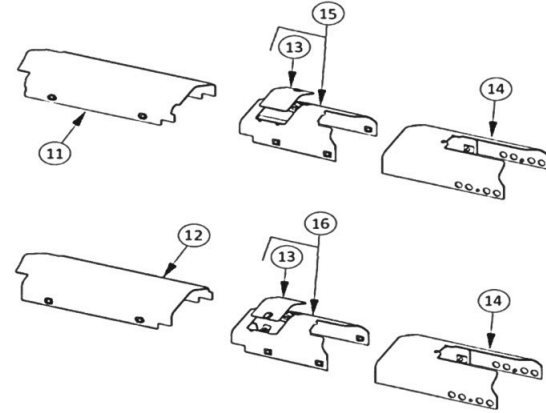
<b>JOHN DEERE 700J XLT, 700J LGP, 700K XLT, 700K LGP (MAX LIFE UNDERCARRIAGE), 700L, 700 P</b>					
1	AT342072	Track Adjuster Assembly	7 roller track frame	2	110
2	T175900	piston (NSS)		2	
3	PV7560	packing		2	0.1
4	T120720	pressure relief valve		2	0.1
5	AT159554	check valve		2	0.1
6	T177313	Plate		4	1.8
7	T177308	Wear Plate		4	2.6
8	T177309	Bar		4	2.4
9	T178085	Solid Shim	Thickness 0.037	8	0.1
10	T177876	Solid Shim	Thickness 0.058	4	0.1
11	T176089	Top Wear Plate		4	2
12	T389692	Wear Plate, Idler		4	1.2
13	T175773	Front Chain Guide Slide		4	9.8
14	T176745	Adapter Fitting, Threaded		2	39
15	T179322	Recoil Spring		2	93
16	T176721	Housing	Not Available	2	
17	PV3683	Bolt	To install spring	1	5.5

A15

2026 Parts Catalog

**TRACK ADJUSTER & SPRING COVERS**

**JOHN DEERE**



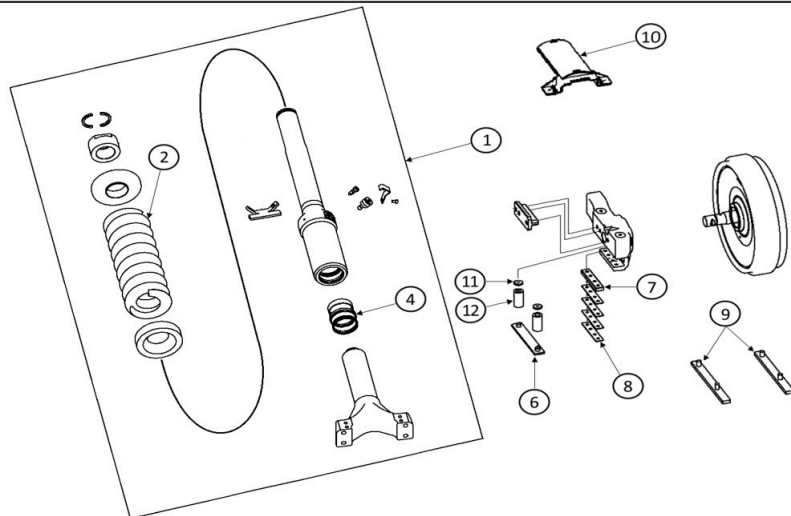
Ref.	Part No.	Description	Notes	Qty.	Wt.
<b>JOHN DEERE 700H LT, 700H XLT, 700H LGP</b>					
11	AT221486	Rear Cover, L/H	LT, XLT	1	35
11	AT221611	Rear Cover, L/H	LGP	1	35
12	AT221168	Rear Cover, R/H	LT, XLT	1	35
12	AT221610	Rear Cover, R/H	LGP	1	35
13	AT221048	Access Cover	Not sold seperately	2	
14	T178297	Front Cover		2	20
15	AT221597	Center Cover, L/H	LT, XLT	1	20
16	AT221173	Center Cover, R/H	LT, XLT	1	20
<b>JOHN DEERE 700J</b>					
11	AT221611	Rear Cover, L/H	XLT, LGP	1	35
12	AT221610	Rear Cover, R/H	XLT, LGP	1	35
11	AT221486	Rear Cover, L/H	LT	1	35
12	AT221168	Rear Cover, R/H	LT	1	35
13	AT221048	Access Cover	XLT, LGP, LT Not sold seperately	2	
14	T178297	Front Cover (Not for Max Life)	XLT, LGP, LT	2	20
15	AT341455	Center Cover, L/H	XLT, LGP s/n 139436- only	1	25
16	AT341452	Center Cover, R/H	XLT, LGP s/n 139436- only	1	25
15	AT341408	Center Cover, L/H	LT	1	20
16	AT341407	Center Cover, R/H	LT	1	20
<b>JOHN DEERE 700K, 700L, 700 P</b>					
11	AT221611	Rear Cover, L/H		1	35
12	AT221610	Rear Cover, R/H		1	35
13	AT221048	Access Cover	Not sold seperately	2	
14	T178297	Front Cover	Not for Max Life, 700L, 700P	2	20
15	AT341455	Center Cover, L/H		1	25
16	AT341452	Center Cover, R/H		1	25

A16

2026 Parts Catalog

**TRACK ADJUSTERS**

**JOHN DEERE**



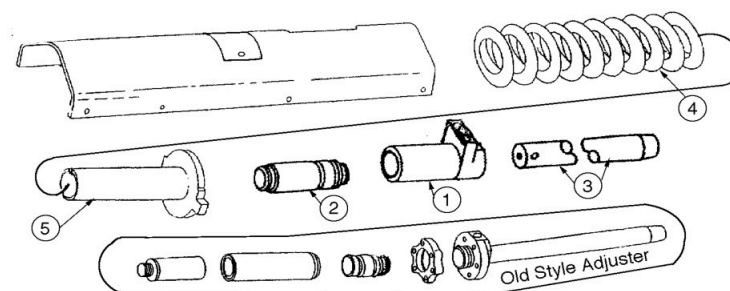
Ref. Part No.	Description	Notes	Qty.	Wt.
<b>JOHN DEERE 750J, 750K</b>				
1	AT406977	Spring Assembly	2	446
2	T201613	Spring	2	140
4	AT307336	Seal Kit	2	0.8
10	AT316583	Cover, Idler	2	10
<b>JOHN DEERE 750L, 750 P</b>				
1	AT513709	Spring Assembly	2	445
2	T407005	Spring	2	140
4	AT307336	Seal Kit	2	0.8
10	T342377	Cover, Idler	2	10
<b>JOHN DEERE 850J, 850K, 755K</b>				
1	AT406974	Spring Assembly	2	582
2	T200850	Spring	2	198
4	AT314787	Seal Kit	2	0.6
10	AT315317	Cover, Idler	2	17
<b>JOHN DEERE 850L, 850 P, 850 X</b>				
1	AT502675	Spring Assembly	2	580
2	T394625	Spring	2	196
4	AT314787	Seal Kit	2	0.6
10	T347716	Cover, Idler	2	17
<b>JOHN DEERE 750J, 750K, 750L, 750 P, 755K, 850J, 850K, 850L, 850 P, 850 X</b>				
6	AT277938	Wear Plate	4	2.8
7	T250445	Wear Plate	4	2.4
8	T204101	Shim	16	0.4
9	AT226968	Wear Plate	4	4.8
11	T204320	Washer	4	0.1
12	AT274298	Bushing, spring	4	0.6

**A17**

2026 Parts Catalog

**TRACK ADJUSTERS**

**JOHN DEERE**



To replace old style adjuster use items 1, 2, & 3

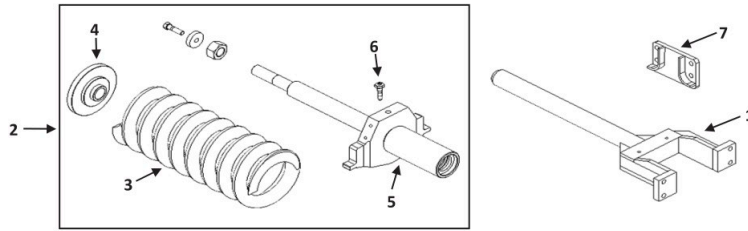
Ref. Part No.	Description	Notes	Qty.	Wt.
<b>JOHN DEERE 655, 655B, 750, 750B, 750C, LT &amp; LGP</b>				
	PV316	Track Adjuster Assembly	2	45
1	AT180805	Head Assembly	2	25
	2S5925	Fitting	2	0.1
	<i>Will not fit OEM Adjusters</i>			
2	T73206	Piston	2	20
	905001	Seal Kit	2	1
3	T80875	Rod	2	28
	<i>655, 655B, 750, 750B</i>			
3	T118348	Rod	2	33
	<i>750B LT</i>			
3	T80878	Rod	2	54
	<i>750, 750B - LGP</i>			
<b>JOHN DEERE 655, 655B, 750, 750B, 750C, LT &amp; LGP</b>				
4	T184203	Spring	2	120
5	T82455	Housing	2	40
6	AT80946	Spring Cover R/H	2	69
	<i>750, 750B</i>			
7	AT80947	Spring Cover L/H	2	70
	<i>750, 750B</i>			
	AT113783	Track Adjuster Cover	2	17
	<i>750, 750B, Long Track</i>			
	<i>(Spring Covers on LGP are Different)</i>			
<b>JOHN DEERE 755, 755A, 755B, 850, 850B, 850C, LT &amp; LGP</b>				
	PV316	Track Adjuster Assembly	2	45
1	AT180805	Head Cyl.	2	25
	2S5925	Fitting	2	0.1
	<i>Will not fit OEM Adjusters</i>			
2	T73206	Piston	2	20
	905001	Seal Kit	2	1
3	T80875	Rod	2	28
	<i>755, 755A, 755B, 850, 850B</i>			
<b>JOHN DEERE 755, 755A, 755B, 850, 850B, 850C, LT &amp; LGP</b>				
4	T184268	Spring	2	152
5	T82455	Housing	2	40
	AT80868	Track Adjuster Cover	2	26
	<i>850, 850B, Long Track</i>			

**A18**

2026 Parts Catalog

**TRACK ADJUSTERS**

CAT



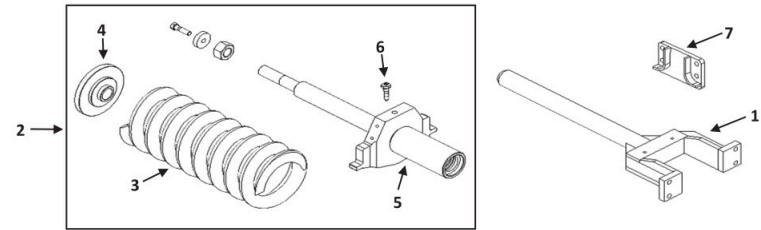
Ref. Part No.	Description	Notes	Qty.	Wt.	
6	2S5925	Fitting	Included w/ assy. & tubes	2	0.1
<b>CAT D4, AC HD5, HD6, IH TD6, TD9 (To Convert From Manual to Hydraulic Track Adjuster)</b>					
	PV310X	Track Adjuster Assembly		2	30
	905000	Seal Kit		2	0.1
<b>CAT D3 (78U), D3 (79U), D3B (27Y)</b>					
1,5	PV322	Track Adjuster Assembly	5 Roller track frame	2	86
1	6S3275	Yoke	28 1/2"	2	39
5	6S3360	Tube, with nut	24 7/8"	2	42
	904405	Seal Kit		2	0.1
3	5K2754	Recoil Spring	24 5/8"	2	76
<b>CAT D3B (27Y, 24Y), D3C (1PJ1-137, 6PF1-144, 7JF1-179, 8BF1-148) D4C (1RJ1-635, 2CJ1-125, 2CJ126-429 Type 1)</b>					
1,2	PV335	Track Adjuster & Spring Assembly		2	175
1	6S7399	Yoke	37 1/4"	2	45
2	PV346	Spring Assembly		2	130
5	6S3360	Tube, with nut	24 7/8"	2	42
	904405	Seal Kit		2	0.1
3	5K2754	Recoil Spring	24 5/8"	2	76
4	2V9025	Spring Pilot		2	7.5
7	6S7220	Idler Plate		2	4
<b>CAT D3C (1PJ138-, 6PF145-, 7JF180-334, 8BF149-, 4HJ1-880, 5CJ1-1047, 5ZG1-57, 8DG1-147), D4C (1RJ636-, 2CJ126-429 Type 2, 2CJ430-, 7KG1-906,9BG1-464)</b>					
1,2	PV339	Track Adjuster & Spring Assembly		2	143
1	6S7399	Yoke		2	42
2	PV345	Spring Assembly		2	101
5	8Y2733	Tube, with nut	20-1/8"	2	40
	904405	Seal Kit		2	0.1
3	8Y2735	Recoil Spring	19-1/2"	2	53
4	2V9025	Spring Pilot		2	7.5
7	6S7220	Idler Plate		2	4

A19

2026 Parts Catalog

**TRACK ADJUSTERS / SPRING COVERS**

CAT



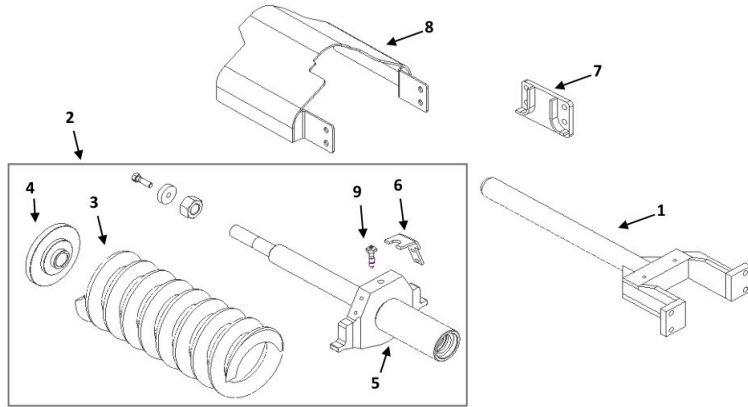
Ref. Part No.	Description	Notes	Qty.	Wt.	
6	2S5925	Fitting	Included w/ assy. & tubes	2	0.1
<b>CAT D3C (4HJ881-, 7JG150-, 4KS, 6SL1-2943), D4C (4LS, 6BS, 6YL, 6SL1-889)</b>					
1,2	PV338	Track Adjuster & Spring Assembly	6 Roller track frame	2	139
1	5G4381	Yoke	31 1/4"	2	38
2	PV345	Spring Assembly		2	101
5	112-4297	Tube, with nut	20-1/8"	2	40
	904405	Seal Kit		2	0.1
3	8Y2735	Recoil Spring	19-1/2"	2	53
4	2V9025	Spring Pilot		2	7.5
7	6S7220	Idler Plate		2	4
<b>CAT D3C (5CJ1048-, 5ZG58-, 8DG148-, 7XL1-1107), D4C (7KG907-, 9BG465-, 1FW, 8CS)</b>					
1,2	PV340	Track Adjuster & Spring Assembly		2	146
1	6S7399	Yoke	37 1/4"	2	45
2	PV345	Spring Assembly		2	101
5	112-4297	Tube, with nut	20-1/8"	2	40
	904405	Seal Kit		2	0.1
3	8Y2735	Recoil Spring	19-1/2"	2	53
4	2V9025	Spring Pilot		2	7.5
7	6S7220	Idler Plate		2	4
<b>CAT D3G Standard Undercarriage</b>					
1,2	PV341	Track Adjuster & Spring Assembly		2	139
1	174-6997	Yoke	31-1/4"	2	38
2	PV345	Spring Assembly		2	101
5	112-4297	Tube, with nut	20-1/8"	2	40
	904405	Seal Kit		2	0.1
3	8Y2735	Recoil Spring	19-1/2"	2	53
4	2V9025	Spring Pilot		2	7.5
7	6S7220	Idler Plate		2	4
<b>CAT D4G (FDC1-520, CFN1-1071, HYD, TLX) Standard Undercarriage</b>					
1,2	PV344	Track Adjuster & Spring Assembly		2	141
1	174-7003	Yoke	33"	2	40
2	PV345	Spring Assembly		2	101
5	112-4297	Tube, with nut	20-1/8"	2	40
	904405	Seal Kit		2	0.1
3	8Y2735	Recoil Spring	19-1/2"	2	53
4	2V9025	Spring Pilot		2	7.5
7	6S7220	Idler Plate	HYD, TLX only	2	4

A20

2026 Parts Catalog

TRACK ADJUSTERS / SPRING COVERS

CAT



CAT D5C (7PS, 8ZS, 9DL)				Qty.	Wt.
1,2	PV347	Track Adjuster & Spring Assembly		2	164
1	106-4723	Yoke	35-5/8"	2	45
2	PV343	Spring Assembly		2	120
3	8Y6659	Recoil Spring		2	64
4	2V9025	Spring Pilot		2	7.5
5	177-1072	Tube R/H, w/ nut *PVE Tube is designed to fit LH / RH		1	47
6	214-1420	Fitting Guard	Not sold seperately	1	
9	255925	Fitting		2	0.1
	904406	Seal Kit		2	0.2
5	177-1073	Tube L/H, w/ nut *PVE Tube is designed to fit LH / RH		1	47
7	657220	Idler Plate		2	4

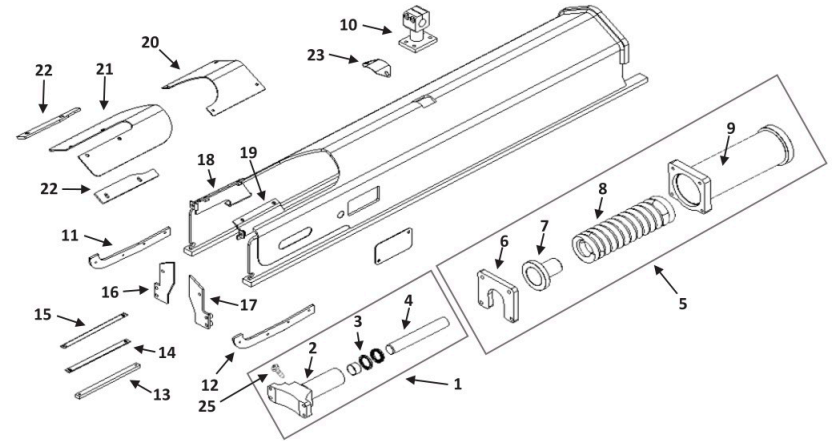
CAT D5C (9DL, 5HS, 6CS, 6ZL, 3MK, 6PJ), D5G Standard Undercarriage (XL and LGP)				Qty.	Wt.
1,2	PV342	Track Adjuster & Spring Assembly		2	162
1	174-7004	Yoke	28-7/8"	2	42
2	PV343	Spring Assembly	Also fits D5C (7PS, 8ZS)	2	120
3	8Y6659	Recoil Spring		2	64
4	2V9025	Spring Pilot		2	7.5
5	177-1072	Tube R/H, w/ nut *PVE Tube is designed to fit LH / RH		1	47
6	214-1420	Fitting Guard	Not sold seperately	1	
9	255925	Fitting		2	0.1
	904406	Seal Kit		2	0.2
5	177-1073	Tube L/H, w/ nut *PVE Tube is designed to fit LH / RH		1	47
7	657220	Idler Plate		2	4
8	176-1281	Idler Guard	Not for D5C	2	14

A21

2026 Parts Catalog

TRACK ADJUSTERS / SPRING COVERS

CAT



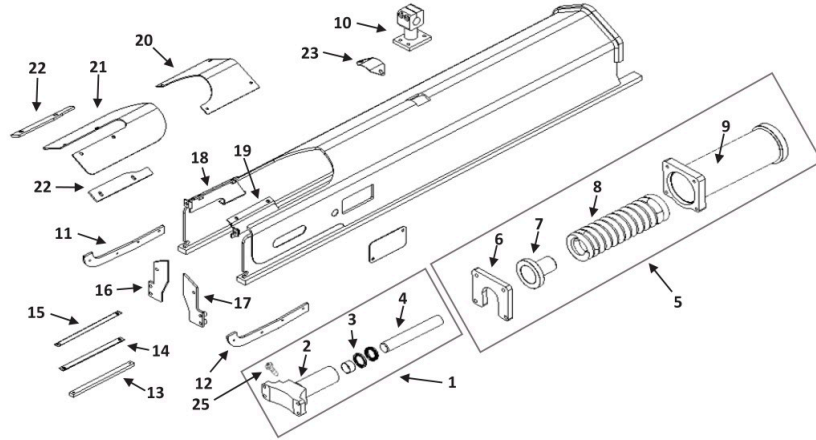
Ref. Part No.	Description	Notes	Qty.	Wt.	
<b>CAT D5K, D5K2 (KYY, TRF, KWW)</b>					
1	264-0665	Track Adjuster Assembly	2	48	
2	352-8991	Yoke	2	35	
3	904411	Seal Kit	2	0.25	
25	190-8609	Fill Valve	2	0.1	
4	315-8453	Plunger/Rod	13.8" long	2	12
5	322-5905	Recoil Spring Assembly		2	165
8	315-8447	Recoil Spring		2	66
9	463-5601	Tube	NSS	2	
6	463-5603	Plate	NSS	2	
7	315-8450	Plug	NSS	2	
	8T-0357	Bolt, M16-2.00 x 70mm	NSS	4	
10	264-5014	Top Roller Bracket		2	15
11	310-7375	Wear Plate, Lower Guide RH (SystemOne UC Only)		2	4
12	310-7376	Wear Plate, Lower Guide LH (SystemOne UC Only)		2	4
13	361-3050	Wear Strip, 16mm T x 379mm L		12	2.6
13	419-0960	Wear Strip, 16mm T x 520mm L		8	3.7
14	285-3472	Wear Strip, 4.5mm T x 379mm L		12	0.6
14	419-0957	Wear Strip, 4.5mm T x 520mm L		12	1.0
15	285-3473	Wear Strip, 2.3mm T x 379mm L		8	0.2
15	419-0958	Wear Strip, 2.3mm T x 520mm L		8	0.4
16	305-1471	Bracket, RH (SystemOne UC Only)		2	3.5
17	305-1473	Bracket, LH (SystemOne UC Only)		2	3.5
18	305-1466	Bracket, RH (SystemOne UC Only)		2	4.5
19	305-1469	Bracket, LH (SystemOne UC Only)		2	4.5
20	290-2700	Idler Cover Plate (SystemOne UC Only)		2	7
21	305-1474	Idler Cover (SystemOne UC Only)		2	12
22	305-1475	Idler Cover Side Plate (SystemOne UC Only)		4	3
23	262-5866	Cover		2	0.5

A22

2026 Parts Catalog

TRACK ADJUSTERS / SPRING COVERS

CAT



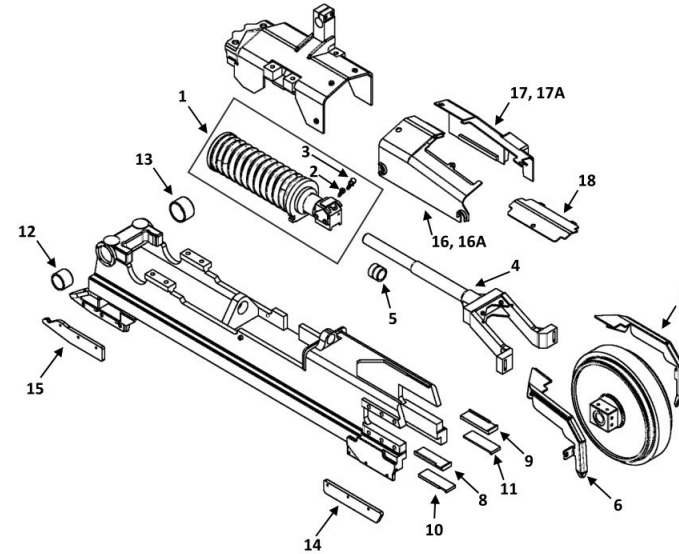
Ref. Part No.	Description	Notes	Qty.	Wt.
<b>CAT D5K2 (KY2, RRE, YT3, KW2, WT3), D3 Next Gen</b>				
1	394-3657	Track Adjuster Assembly	2	51
2	469-6322	Yoke	2	35
3	904411	Seal Kit	2	0.25
25	190-8609	Fill Valve	2	0.1
4	419-3223	Plunger/Rod	2	14.5
5	463-5600	Recoil Spring Assembly	2	165
8	315-8447	Recoil Spring	2	66
9	463-5601	Tube	NSS	2
6	463-5603	Plate	NSS	2
7	315-8450	Plug	NSS	2
	8T-0357	Bolt, M16-2.00 x 70mm	NSS	4
10	264-5014	Top Roller Bracket	2	15
11	310-7375	Wear Plate, Lower Guide RH (SystemOne UC Only)	2	4
12	310-7376	Wear Plate, Lower Guide LH (SystemOne UC Only)	2	4
13	361-3050	Wear Strip, 16mm T x 379mm L	4	2.6
13	419-0960	Wear Strip, 16mm T x 520mm L	8	3.7
14	419-0957	Wear Strip, 4.5mm T x 520mm L	12	1.0
15	419-0958	Wear Strip, 2.3mm T x 520mm L	8	0.4
20	290-2700	Idler Cover Plate (SystemOne UC Only)	2	7
23	262-5866	Cover	2	0.5

A23

2026 Parts Catalog

TRACK ADJUSTERS / SPRING COVERS

CAT



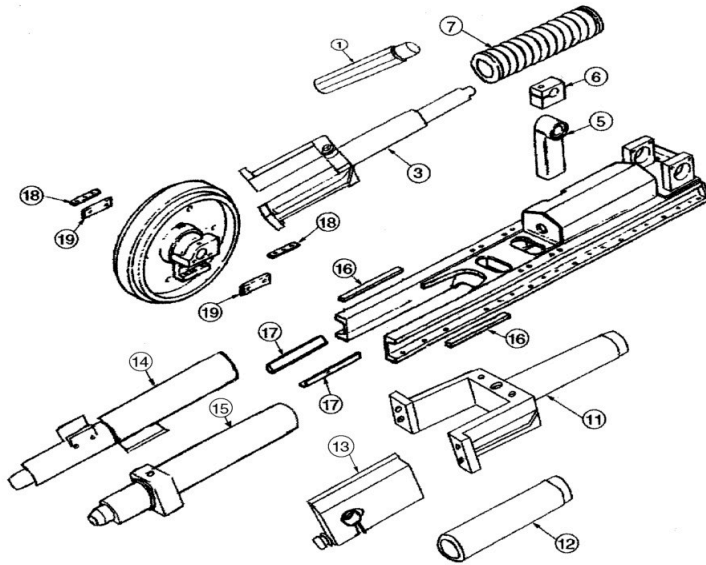
Ref. Part No.	Description	Notes	Qty.	Wt.
<b>CAT D6K (DHA, FBH), D6K2 (RST, MXK, RPR, WMR)</b>				
1	239-8247	Recoil & Adjuster Assembly	2	200
2	190-8609	Fill Valve	2	0.1
3	255926	Relief Valve	2	0.3
	PV3002	Seal Kit	2	0.3
4	382-6529	Yoke	2	79
5	7J9682	Bushing, Yoke	2	0.8
		<i>Also fit D4 Next Gen</i>		
6	382-2973	Guard, Idler RH	2	9.0
7	382-2974	Guard, Idler LH	2	9.0
8	475-9196	Wear Plate, RH	2	3.0
9	475-9197	Wear Plate, LH	2	3.0
10	475-9198	Wear Plate, RH	2	1.5
11	475-9199	Wear Plate, LH	2	1.5
12	221-3187	Bushing, Dead Axle	2	1.6
		<i>Also fit D4 Next Gen</i>		
13	221-3198	Bushing, Dead Axle	2	2.0
		<i>Also fit D4 Next Gen</i>		
14	380-7977	Wear Strip, Front	4	8.5
		<i>Also fit D4 Next Gen</i>		
15	380-7978	Wear Strip, Rear	4	8.5
		<i>Also fit D4 Next Gen</i>		
16	384-7355	Cover, RH Outer	1	17
17	384-7379	Cover, RH Inner	1	12.5
16A	384-7358	Cover, LH Outer	1	17
17A	384-7380	Cover, LH Inner	1	12.5
18	384-7385	Cover, Access Door	2	5

A24

2026 Parts Catalog

**TRACK ADJUSTERS**

**DRESSER**



Ref. Part No.	Description	Notes	Qty.	Wt.
<b>TD7, 100, to s/n 9500</b>				
906000	Seal Kit		2	1
<b>TD7, 100 after s/n 9500 TD7C, TD7E, TD7G, TD7H, 100C, 100E, TD8, TD8C, TD8E, TD8G, TD8H, 125C, 125E</b>				
622049C1	Piston	5 roller track frame	2	2
1 621448C3	Rod	1-7/8" Diameter	2	11
906001	Seal Kit		2	1
<b>TD7C, TD7E, TD7G, TD7H, 100C, 100E, 100G (5 Roller track frame)</b>				
3 PV307	Track Adjuster Assembly	1 pc. rod	2	49
1299268H91	Yoke	use PV307		
906001	Seal Kit		2	1
736160C2	Yoke	use PV307		
<b>TD8C, TD8E, TD8G, 125C, 125E, 125G (5 Roller track frame)</b>				
3 PV308	Track Adjuster Assembly	1 pc. rod	2	52
621447C1	Yoke	use PV308		
906001	Seal Kit		2	1
<b>TD8G Long Track &amp; LGP (6 Roller track frame)</b>				
3 PV308A	Track Adjuster Assembly	1 Pc Rod	2	62
621447C1	Yoke	Use PV308A		
906001	Seal Kit		2	1

**A25**

2026 Parts Catalog

**TRACK ADJUSTERS**

**DRESSER**

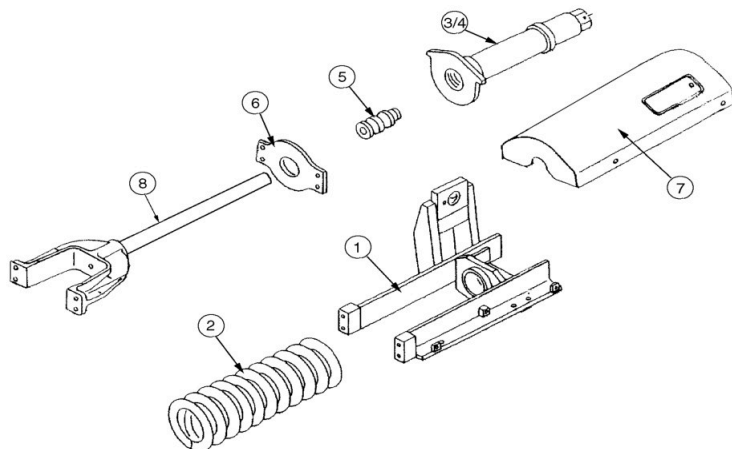
Ref. Part No.	Description	Notes	Qty.	Wt.
<b>TD7G, TD8H (6 Roller track frame)</b>				
3 PV307A	Track Adjuster Assembly	1 pc. rod	2	53
1299268H91	Yoke	Use PV307A		
906001	Seal Kit		2	1
736160C2	Yoke	Use PV307A		
<b>TD9H (6 Roller track frame)</b>				
3 PV3089	Track Adjuster Assembly	1 pc. rod	2	60
1299266H91	Yoke	Use PV3089		
906001	Seal Kit		2	1
621447C1	Yoke	Use PV3089		
<b>TD7C, TD7E, TD7G, TD7H, 100C, 100E, 100G, TD8H</b>				
5 626651C1	Top Roller Bracket	For IN2805 top roller	2	16
6 1233532H1	Top Roller Bracket	For IN3511 top roller	2	9
17 621338C1	Wear Plate		4	3
19 621424C1	Idler Guide Plate	TD7C, TD7E, 100C, 100E	4	2
19 621445C1	Idler Guide Plate	TD7G, 100G	4	2
18 622044C1	Idler Wear Plate		4	0.8
16 622221C1	Idler Wear Plate		4	4
<b>TD8C, TD8E, TD8G, 125C, 125E, 125G, TD9H</b>				
5 626651C1	Top Roller Bracket	For IN2809 top roller	2	16
6 1233532H1	Top Roller Bracket	For IN3511 top roller	2	9
16 622221C1	Idler Wear Plate		4	4
17 662526C1	Idler Wear Plate		4	3
18 622044C1	Idler Wear Plate		4	0.8
19 621445C1	Idler Guide Plate		4	2
<b>TD15B after s/n 10064, TD15C, 175C after s/n 40740</b>				
PV319	Track Adjuster Assembly	w/ fitting	2	70
11 655822C2	Cylinder Fork	Without cover shield	2	65
629256C1	Piston	These parts will work on early s/n if idler brackets are replaced	2	4
906003	Seal Kit		2	1
12 609609C2	Tube	weld on	2	20
13 655804C1/655805C1	Idler Brackets	sold in sets only	2	48
<b>TD 15E, 200</b>				
PV320	Track Adjuster Assembly	w/ fitting	2	61
15 743000C1	Tube	2 1/2" ID	2	54
629256C1	Piston		2	4
906003	Seal Kit		2	1
<b>TD20, TD20E, TD20G</b>				
PV318	Track Adjuster Assembly	w/ fitting	2	63
14 655608C1	Tube	3" ID	2	57
629257C1	Piston		2	5
906004	Seal Kit		2	1
1 655927C1	Rod		2	30

**A26**

2026 Parts Catalog

**TRACK ADJUSTERS**

**KOMATSU**



Ref. Part No.	Description	Notes	Qty.	Wt.	
<b>KOMATSU D31A-16, D31A-17, D31AM-20, D31E-18, D31E-20, D31P-16, D31P-17, D31P-18, D31P-18A, D31P-20, D31P-20A, D31PL-18, D37A-5, D37E-1, D37E-2, D37E-5, D37P-2, D37P-5A, D31Q-18, D31Q-20, D31S-16, D31S-17, D31S-18, D31S-20</b>					
	PV328	Track Adj & Spring Assy L/H	<i>Assembled (inc. ref #1-6 and seals)</i>	1	170
1	113-30-41211	Bracket L/H, *NSS	<i>For 113-30-00112 / KM778 Roller</i>	1	62
2	113-30-34210	Spring		2	50
6	113-30-34190	Plate, *NSS		2	8
	PV333	Track Adjuster Assembly L/H	<i>(incl ref # 3-5 and seals)</i>	1	50
3	113-30-34231	Cylinder		1	34
4	203-30-42260	Grease Valve w/ Fitting		1	0.2
5	113-30-24161	Piston		2	3
	909001	Seal Kit		2	1
	PV327	Track Adj & Spring Assy R/H	<i>Assembled (inc. ref # 1-6 and seals)</i>	1	170
1	113-30-41220	Bracket R/H, *NSS	<i>For 113-30-00112 / KM778 Roller</i>	1	64
2	113-30-34210	Spring		2	50
6	113-30-34190	Plate, *NSS		2	8
	PV334	Track Adjuster Assembly R/H	<i>(incl ref # 3-5 and seals)</i>	1	50
3	113-30-34231	Cylinder		1	34
4	203-30-42260	Grease Valve w/ Fitting		1	0.2
5	113-30-24161	Piston		2	3
	909001	Seal Kit		2	1
7	113-30-37110	Spring Cover L/H		1	19
7	113-30-37120	Spring Cover R/H		1	19
8	113-30-34150	Yoke	<i>Not included in assemblies</i>	2	42

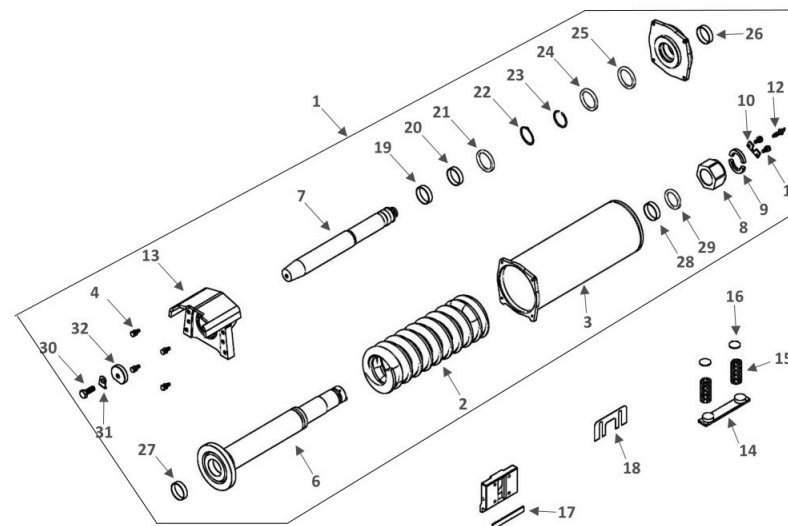
*Will also work on older s/n if top roller is changed to newer style noted above*

**A27**

2026 Parts Catalog

**TRACK ADJUSTERS**

**KOMATSU**



Ref. Part No.	Description	Notes	Qty.	Wt.	
<b>KOMATSU D61EX-23, D61EXI-23, D61PX-23, D61PXI-23, D61EX-24, D61EXI-24, D61PX-24, D61PXI-24</b>					
1	PV3006	Recoil and Adjuster Assembly		2	430
2	134-30-73161	Recoil Spring		2	145
3	134-30-63210	Spring Cabin	NSS	2	
5	134-30-63220	Holder	NSS	2	
6	134-30-63154	Cylinder	NSS	2	
7	134-30-63142	Adjuster Piston		2	45.5
8	14X-30-13310	Nut	NSS	2	
9	14X-30-13241	Spacer	NSS	4	
10	14X-30-13174	Plate	NSS	2	
11	01010-80830	Bolt	NSS	4	
12	203-30-42260	Grease Valve w/ Fitting		2	0.2
19-29	PV3005	Seal Kit	<i>Fits PVE and OEM Adjusters</i>	2	1.5
13	13Y-30-15312	Yoke	<i>Not Available</i>	2	
30	01010-82055	Bolt	NSS	2	
31	154-30-11540	Lock	NSS	2	
32	154-30-11332	Washer	NSS	2	
4	01010-81235	Bolt	NSS	8	
14	13Y-30-15162	Idler Wear Plate		4	3.5
15	155-30-13230	Idler Spring		8	1.2
16	195-30-17960	Plate, Spring		8	0.2
17	134-30-62320	Idler Wear Plate		4	0.4
18	13Y-30-15221	Idler Shim, 1mm		24	0.1
	PV3007	Idler Wear Kit	<i>includes: Ref #14 (x2), 15 (x4), 16 (x4), bolts (x4), washers (x4)</i>	2	12.0

**A28**

2026 Parts Catalog

## ROCKGUARDS

## CASE

Part No.	Description	Notes	Qty.	Wt.
<b>CASE 310, 310G, 350</b>				
PV620	Rockguard Set		1	156
D43598	rockguard	Rear L/H	2	11
D43599	rockguard	Rear R/H	2	11
R44054	rockguard	Front L/H	2	28
R44053	rockguard	Front R/H	2	28
D43601	Bracket	Not included in Set	8	1.3
<b>CASE 350B</b>				
R44054	Rockguard	Front L/H	2	28
R44053	Rockguard	Front R/H	2	28
D43601	Bracket		8	1.3
<b>CASE 450 to s/n 3050800 Loader &amp; Dozer</b>				
PV625	Rockguard Set		1	315
R36667	cover	Rear, Left & Right	4	4.7
R36673	rockguard	Center	4	30
R36674	rockguard	Front L/H	2	24
R36675	rockguard	Front R/H	2	24
R36676	rockguard	Rear L/H	2	15
R36677	rockguard	Rear R/H	2	15
D35372	spacer		10	1
413-8120	bolt		10	1
<b>CASE 450 after s/n 3050800, 450B</b>				
PV630	Rockguard Set		1	315
R36667	cover	Rear, Left & Right	4	4.7
R36673	rockguard	Center	4	30
R36674	rockguard	Front L/H	2	24
R36675	rockguard	Front R/H	2	24
R36676	rockguard	Rear L/H	2	15
R36677	rockguard	Rear R/H	2	15
R36665	spacer		10	1
413-8136	bolt		10	1
<b>CASE 450C, 455C</b>				
PV635	Rockguard Set	5 Roller track frame	1	327
R36667	cover	Rear, Left & Right	4	4.7
R36673	rockguard	Center	4	30
R36674	rockguard	Front L/H	2	24
R36675	rockguard	Front R/H	2	24
R47465	rockguard	Rear L/H	2	18
R47466	rockguard	Rear R/H	2	18
R36665	spacer		10	1
413-8136	bolt		10	1

A29

2026 Parts Catalog

## ROCKGUARDS

## CASE

Part No.	Description	Notes	Qty.	Wt.
<b>CASE 450C, 455C, Long Track, 550</b>				
PV640	Rockguard Set	6 Roller track frame	1	372
R36667	cover	Rear, Left & Right	4	4.7
141196A1	rockguard	Center	4	40
R36674	rockguard	Front L/H	2	24
R36675	rockguard	Front R/H	2	24
R47465	rockguard	Rear L/H	2	18
R47466	rockguard	Rear R/H	2	18
R36665	spacer		12	1
413-8136	bolt		12	1
<b>CASE 550E, 550G Cross Bolt in this set is 1/2", OEM is 3/4"</b>				
PV641	Rockguard Set	6 Roller track frame	1	361
R57458	cover	Rear, Left & Right	4	4.7
141196A1	rockguard	Center Left & Right	4	40
R58387	rockguard	Front L/H	2	21
R58386	rockguard	Front R/H	2	21
R47465	rockguard	Rear L/H	2	18
R47466	rockguard	Rear R/H	2	18
R36665	spacer		12	1
413-8136	bolt	1/2" bolt	12	1
<b>CASE 850B, 850C, 855C, 850D, 855D s/n -JAK0005500</b>				
PV645	Rockguard Set	5 Roller track frame	1	506
R54464	cover	Rear L/H, outer	1	8.4
R54465	cover	Rear R/H, outer	1	8.4
R44467	cover	Rear L/H, inner	1	8.4
R44468	cover	Rear R/H, inner	1	8.4
R56620	rockguard	Front L/H	2	33
R56629	rockguard	Front R/H	2	33
R52343	rockguard	Center Left & Right	4	59
R52339	rockguard	Rear L/H	2	18
R52340	rockguard	Rear R/H	2	18
D35698	spacer		12	1.4
413-12152	bolt		12	1.3
<b>CASE 850D Long Track, 850E, 850G, 850H, 750H</b>				
PV646	Rockguard Set	6 Roller track frame	1	510
R56637	cover	Rear, Left & Right	4	6
R56620	rockguard	Front L/H	2	33
R56629	rockguard	Front R/H	2	33
R55833	rockguard	Center L/H	2	57
R55832	rockguard	Center R/H	2	57
R56633	rockguard	Rear L/H	2	26
R56646	rockguard	Rear R/H	2	26
D35698	spacer		8	1.4
413-12152	bolt		8	1.3

A30

2026 Parts Catalog

**ROCKGUARDS**

**CASE**

Part No.	Description	Notes	Qty.	Wt.
<b>CASE 855D s/n JAK0005501-, 855E, Loader</b>				
PV647	Rockguard Set	5 Roller track frame	1	530
R56637	cover	Rear, Left & Right	4	6
R56620	rockguard	Front L/H	2	33
R56629	rockguard	Front R/H	2	33
R56633	rockguard	Rear L/H	2	26
R56646	rockguard	Rear R/H	2	26
D35698	spacer		8	1.4
413-12152	bolt		8	1.3
<b>CASE 1150B, 1150C</b>				
R27548	cover	Rear, outer L/H	1	11
R46471	cover	Rear, inner L/H & R/H	2	7
R27551	rockguard	Rear L/H, outer	1	24
R27552	rockguard	Rear R/H, outer	1	24
R33943	rockguard	Rear L/H, inner	1	16
R44373	rockguard	Center Left & Right	4	66
R44377	rockguard	Front L/H	2	36
R44378	rockguard	Front R/H	2	36
R27555	spacer		8	1.8
413-12176	bolt		8	1.4
<b>CASE 1150D, 1150E, 1155D, 1155E</b>				
PV655	Rockguard Set	6 Roller track frame	1	520
R46471	cover	Rear Left & Right	4	7
R44385	rockguard	Rear L/H	2	28
R44386	rockguard	Rear R/H	2	28
R46198	rockguard	Center Left & Right	4	52
R44377	rockguard	Front L/H	2	36
R44378	rockguard	Front R/H	2	36
R27555	spacer		8	1.8
413-12176	bolt		8	1.4
<b>CASE 1150D, 1150E Long Track, 1150G, 1150H</b>				
PV660	Rockguard Set	7 Roller track frame	1	575
R46471	cover	Rear Left & Right	4	7
R44385	rockguard	Rear L/H	2	28
R44386	rockguard	Rear R/H	2	28
R44373	rockguard	Center Left & Right	4	66
R44377	rockguard	Front L/H	2	36
R44378	rockguard	Front R/H	2	36
R27555	spacer		8	1.8
413-12176	bolt		8	1.4

A31

2026 Parts Catalog

**ROCKGUARDS**

**JOHN DEERE**

Part No.	Description	Notes	Qty.	Wt.
<b>JOHN DEERE 450C, 450D, 450E, 455D, 455E, 550, 550B, 555, 555B</b>				
PV6611	Rockguard Set	5 Roller track frame	1	281
AT79598	rockguard, R/H		2	65
AT79599	rockguard, L/H		2	65
28H3265	spacer		10	1.3
19H3373	bolt		10	0.8
<b>JOHN DEERE 450G, 455G</b>				
PV6612	Rockguard Set	5 Roller track frame	1	324
AT135464	rockguard, R/H		2	75
AT135465	rockguard, L/H		2	75
T121001	spacer		12	1.0
19H3623	bolt		12	1.0
<b>JOHN DEERE 450G Long Track, 550G s/n 771617-</b>				
PV6613	Rockguard Set	6 Roller track frame	1	360
AT143012	rockguard, L/H		2	83
AT143013	rockguard, R/H		2	83
T121001	spacer		14	1.0
19H3623	bolt		14	1.0
<b>JOHN DEERE 450H s/n 925919-, 550H s/n 925919-, 450J, 550J, 450K, 550K s/n F305398-, 450 P, 550 P</b>				
PV6618	Rockguard Set	6 Roller track frame	1	240
AT306100	rockguard, L/H		2	54
AT306101	rockguard, R/H		2	54
T121001	spacer		12	1.0
19H3623	bolt		12	1.0
<b>JOHN DEERE 650G, 650H s/n -925918</b>				
PV6614	Rockguard Set	6 Roller track frame	1	383
AT221709	rockguard, L/H		2	87
AT221710	rockguard, R/H		2	87
T121002	spacer		14	1.5
19H3583	bolt		14	1.0
<b>JOHN DEERE 650H s/n 925919-, 650J LT</b>				
PV6615	Rockguard Set	6 Roller track frame	1	301
AT305887	rockguard, L/H		2	68
AT305888	rockguard, R/H		2	68
T179706	spacer		12	1.4
19H3583	bolt		12	1.0
<b>JOHN DEERE 650H XLT s/n 925919 -, 650J XLT, 650J LGP, 650K, 650 P</b>				
PV6616	Rockguard Set	7 Roller track frame	1	275
AT334624	rockguard, L/H		2	60
AT334625	rockguard, R/H		2	60
T230026	spacer		14	1.5
19H3583	bolt		14	1.0
<b>JOHN DEERE 700H XLT and LGP s/n 906149 -, 700J XLT and LGP, 700K, 700L</b>				
PV6617	Rockguard Set	7 Roller track frame	1	345
AT225665	rockguard, L/H		2	77
AT225664	rockguard, R/H		2	77
T176863	spacer		10	1.8
19M8494	bolt		10	1.8

A32

2026 Parts Catalog

**CHAIN GUIDES**

**JOHN DEERE**

Part No.	Description	Qty.	Wt.
<b>JOHN DEERE 450, 450B, 450C, 450D, 450E, 455, 455D, 455E, 550, 550B</b>			
AT80874	Chain Guide Set, Front & Rear <i>5 &amp; 6 Roller track frame</i>	1	129
AT117814	Chain Guide <i>Rear R/H</i>	2	13
AT117815	Chain Guide <i>Rear L/H</i>	2	13
AT117812	Chain Guide <i>Front R/H</i>	2	17
AT117813	Chain Guide <i>Front L/H</i>	2	17
28H3265	Spacer	4	1.4
19H3373	Bolt w/ Nut	4	0.8
<b>JOHN DEERE 450G, 455G, 550G</b>			
PV615	Chain Guide Set, Front & Rear	1	154
AT116686	Chain Guide <i>Rear R/H</i>	2	13
AT116687	Chain Guide <i>Rear L/H</i>	2	13
AT135480	Chain Guide <i>Front R/H</i>	2	22
AT135481	Chain Guide <i>Front L/H</i>	2	22
T121001	Spacer	6	1.4
19H3623	Bolt w/ Nut	6	0.8
<b>JOHN DEERE 555G, 650G</b>			
PV616	Chain Guide Set, Front & Rear	1	171
AT113696	Chain Guide <i>Rear R/H</i>	2	15
AT113697	Chain Guide <i>Rear L/H</i>	2	15
AT120366	Chain Guide <i>Front R/H</i>	2	24
AT120367	Chain Guide <i>Front L/H</i>	2	24
T121002	Spacer	6	1.5
19H3583	Bolt w/ Nut	6	1
<b>JOHN DEERE 450H s/n -925918, 550H s/n -925918</b>			
PV618	Chain Guide Set, Front & Rear	1	142
AT384224	Chain Guide <i>Rear R/H - also fits 450H, 450J, 450K, 450 P, 550H, 550J, 550K, 550 P</i>	2	12
AT384225	Chain Guide <i>Rear L/H - also fits 450H, 450J, 450K, 450 P, 550H, 550J, 550K, 550 P</i>	2	12
AT209641	Chain Guide <i>Front R/H</i>	2	20
AT209436	Chain Guide <i>Front L/H</i>	2	20
T121001	Spacer	6	1.4
19H3623	Bolt w/ Nut	6	0.8
<b>JOHN DEERE 650H s/n -925918</b>			
PV617	Chain Guide Set, Front & Rear	1	171
AT385037	Chain Guide <i>Rear R/H</i>	2	15
AT385610	Chain Guide <i>Rear L/H</i>	2	15
AT211089	Chain Guide <i>Front R/H</i>	2	24
AT211088	Chain Guide <i>Front L/H</i>	2	24
T121002	Spacer	6	1.5
19H3583	Bolt w/ Nut	6	1
<b>JOHN DEERE 650H, 650J, 650K, 650 P</b>			
AT385037	Chain Guide <i>Rear R/H</i>	2	15
AT385610	Chain Guide <i>Rear L/H</i>	2	15
T121002	Spacer	4	1.5
19H3583	Bolt w/ Nut	4	1
<b>JOHN DEERE 700H (s/n 906149 - ), 700J, 700K, 700L, 700P</b>			
AT468800	Chain Guide <i>Rear R/H</i>	1	58
AT468795	Chain Guide <i>Rear L/H</i>	1	58




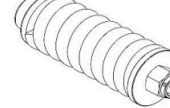
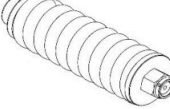
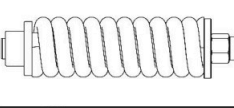
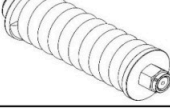

**CHAIN GUIDES, ROCKGUARDS, SPROCKET GUARDS**

**CAT, JOHN DEERE, KOMATSU**

Part No.	Description	Qty.	Wt.
<b>JOHN DEERE 750J, 750K, 750L, 750 P</b>			
T202643	Chain Guide, Front <i>750J s/n 141344-, 750K, 750L, 750 P</i>	2	
T215612	Chain Guide Shim, Front	8	
T202903	Chain Guide, Rear RH	2	
T287474	Chain Guide, Rear LH	2	
AT303927	Chain Guide, Center	2	
<b>JOHN DEERE 850J, 850K, 850L, 850 P, 850 X</b>			
T360499	Chain Guide, Front	4	19
T215657	Chain Guide Shim, Front <i>Also fits 755K, Excludes 850 P, 850 X</i>	8	1.6
T200124	Chain Guide, Rear <i>Also fits 755K</i>	4	29.2
AT387220	Chain Guide, Center <i>8 roller machines only</i>	2	96
<b>JOHN DEERE SPROCKET GUARDS</b>			
AT117848	Guard, Rear R/H 450G, 455G	2	6
AT117849	Guard, Rear L/H 450G, 455G	2	6
AT117846	Guard, Rear R/H 450G LT & LGP, 550G <i>These rear</i>	2	7.7
AT117847	Guard, Rear L/H 450G LT & LGP, 550G <i>sprocket guards</i>	2	7.7
AT117850	Guard, Rear R/H 555G, 650G <i>are not included</i>	2	6
AT117851	Guard, Rear L/H 555G, 650G <i>in any set.</i>	2	6
AT431894	Guard, Rear R/H 650H, 650J, 650K	2	8
AT384222	Guard, Rear L/H 650H, 650J, 650K	2	8
AT225674	Guard, Rear R/H 700H, 700J, 700K, 700L, 700 P	2	27
AT225675	Guard, Rear L/H 700H, 700J, 700K, 700L, 700 P	2	27
<b>CAT D5K, D5K2 w/ SystemOne U.C.</b>			
356-5278	Rockguard D5K (JLF238-, WWW980-, YYY949-), D5K2 (KYY, KWW, TRF)	2	57
356-5282	Rockguard D5K (JLF238-, WWW980-, YYY949-), D5K2 (KYY, KWW, TRF)	2	57
345-9609	Chain Guide, RH Outer D5K (JLF256-, WWW1180-, YYY1221-, D5K2 (KYY, KWW, TRF)	1	38
345-9635	Chain Guide, RH Inner D5K (JLF256-, WWW1180-, YYY1221-, D5K2 (KYY, KWW, TRF)	1	32
345-9610	Chain Guide, LH Outer D5K (JLF256-, WWW1180-, YYY1221-, D5K2 (KYY, KWW, TRF)	1	38
345-9636	Chain Guide, LH Inner D5K (JLF256-, WWW1180-, YYY1221-, D5K2 (KYY, KWW, TRF)	1	32
345-9605	Sprocket Guard, RH D5K (JLF256-, WWW1180-, YYY1221-, D5K2 (KYY, KWW, TRF), D3 Next t	1	13.5
345-9606	Sprocket Guard, LH D5K (JLF256-, WWW1180-, YYY1221-, D5K2 (KYY, KWW, TRF), D3 Next t	1	13.5
345-9601	Sprocket Guard, RH Inner D5K (JLF256-, WWW1180-, YYY1221-, D5K2 (KYY, KWW, TRF), D3 Next t	1	7.0
345-9602	Sprocket Guard, LH Inner D5K (JLF256-, WWW1180-, YYY1221-, D5K2 (KYY, KWW, TRF), D3 Next t	1	7.0
<b>CAT D6K (DHA, FBH), D6K2 (RST, MXK, RPR, WMR)</b>			
382-6505	Guard, Rear RH	2	14.5
382-6506	Guard, Rear LH	2	14.5
380-7989	Chain Guide, Center <i>Also Fits: All D6K2, D4 Next Gen</i>	4	41
<b>KOMATSU D61EX-23, D61EXI-23, D61PX-23, D61PXI-23, D61EX-24, D61EXI-24, D61PX-24, D61PXI-24</b>			
13Y-30-16133	Chain Guide, Center	2	111
13Y-30-16113	Chain Guide, Rear LH	2	84
13Y-30-16123	Chain Guide, Rear RH	2	84
<b>EXCAVATOR CHAIN GUIDES</b>			
<b>CAT, JOHN DEERE</b>			
Part No.	Description	Qty.	Wt.
<b>JOHN DEERE &amp; HITACHI CHAIN GUIDE</b>			
8059049	EX200-2, EX200-3	4	68
AT152077	690D, 690E, 200	4	68
<b>EXCAVATOR STEP</b>			
7Y2481	WELD ON STEP FOR FULL SIZE EXCAVATORS ALL MAKES AND MODELS <i>DEERE/HITACHI - 490, 110, 120, 200,690, EX100, EX200 / CAT - 311, 312, 320, 325, 330</i>	2	8

**EXCAVATOR RECOIL & ADJUSTER ASSY.**

**JOHN DEERE & HITACHI**

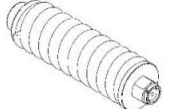
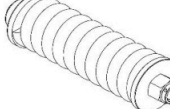
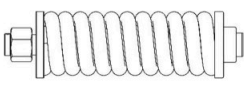
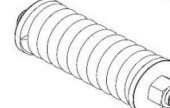
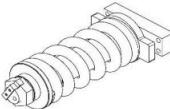
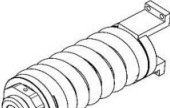
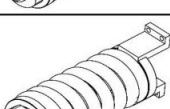
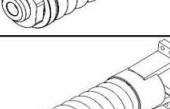
	Part No.	Description	Qty.	Wt.
	<b>JOHN DEERE 490E after s/n 020605, 110, 120, 120C</b>			
	9092563	Recoil & Adjuster Assembly	2	112
	AT180391	Spring	2	50
	PV7534	Seal Kit <i>(new style, for PVE adjusters)</i>	2	0.1
	<b>HITACHI EX100-2, EX100-3, EX120-2, EX120-3</b>			
	9092563	Recoil & Adjuster Assembly	2	112
	AT180391	Spring	2	50
	PV7534	Seal Kit <i>(new style, for PVE adjusters)</i>	2	0.1
	<b>JOHN DEERE 590D, HITACHI EX150-1</b>			
	9069753	Recoil & Adjuster Assembly	2	154
	3036335	Spring	2	82
	PV7534	Seal Kit <i>(new style, for PVE adjusters)</i>	2	0.1
	<b>JOHN DEERE 160LC, HITACHI EX150-5, EX160-5</b>			
	9149643	Recoil & Adjuster Assembly	2	191
	AT180044	Spring	2	97
	PV7536	Seal Kit <i>(for PVE adjusters)</i>	2	0.1
	<b>HITACHI EX200-2, EX200-3</b>			
	9090028	Recoil & Adjuster Assembly	2	241
	3047941	Spring, NSS		
	PV7536	Seal Kit <i>(for PVE adjusters)</i>	2	0.1
	<b>JOHN DEERE 200LC, HITACHI EX200-5</b>			
	9144658	Recoil & Adjuster Assembly	2	241
	AT219476	Spring, NSS		
	PV7536	Seal Kit <i>(for PVE adjusters)</i>	2	0.1
	<b>JOHN DEERE 200CLC, 200DLC, HITACHI ZX200LC</b>			
	9186437	Recoil & Adjuster Assembly	2	254
	PV7538	Seal Kit <i>(for PVE adjusters)</i>	2	0.1
	<b>JOHN DEERE 225CLC, 230CLC, HITACHI ZX220, ZX230</b>			
	9188175	Recoil & Adjuster Assembly	2	254
	DH300085	Spring	2	137
	PV7538	Seal Kit <i>(for PVE adjusters)</i>	2	0.1

A35

2026 Parts Catalog

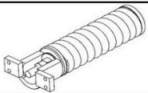

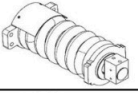
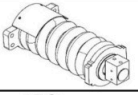
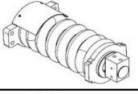
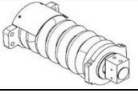
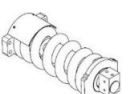
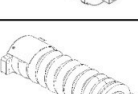

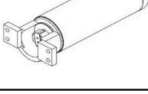
**EXCAVATOR RECOIL & ADJUSTER ASSY.**

**JOHN DEERE & KOMATSU**

	Part No.	Description	Qty.	Wt.
	<b>JOHN DEERE 230LC, HITACHI EX220-2, EX220-3</b>			
	9092565	Recoil & Adjuster Assembly	2	252
	AT219473	Spring	2	147
	PV7536	Seal Kit	2	0.1
	<b>JOHN DEERE 270LC, HITACHI EX270-2, EX300-2, EX300-3</b>			
	9097317	Recoil & Adjuster Assembly	2	300
	3053244	Spring	2	154
	PV7542	Seal Kit <i>PVE Adjuster Only</i>	2	0.1
	<b>JOHN DEERE 270CLC, 330LC, 330CLC, HITACHI ZX270LC, EX300-5, EX30LC-5, EX330LC-5, ZX330, ZX330LC, EX370-5M, ZX370, ZX370LC</b>			
	9159015	Recoil & Adjuster Assembly	2	278
	T211395	Spring	2	195
	PV7542	Seal Kit <i>PVE Adjuster Only</i>	2	0.1
	<b>JOHN DEERE 270DLC, 290GLC, 300GLC, HITACHI ZX270-3, ZX280LC-3, ZX290LC-5G, ZX290LC-5N, ZX300LC-6N</b>			
	9243618	Recoil & Adjuster Assembly	2	373
	T211395	Spring	2	195
	PV7539	Seal Kit	2	0.1
	<b>KOMATSU PC120-6</b>			
	PV3120	Recoil & Adjuster Assembly	2	125
	203-30-66250	Spring	2	57
	909018	Seal kit	2	0.1
	<b>KOMATSU PC150-6, PC160, PC180-6K, PC200-6, PC210-6</b>			
	20Y-30-29100	Recoil & Adjuster Assembly	2	299
	20Y-30-29160	Spring	2	127
	909021	Seal Kit	2	0.1
	<b>KOMATSU PC220-5, PC220-6, PC228USLC-2, PC228USLC-3, PC228UU-1, PC230-6</b>			
	20Y-30-29100	Recoil & Adjuster Assembly	2	299
	20Y-30-29160	Spring	2	127
	909021	Seal Kit	2	0.1
	<b>KOMATSU PC300-5, PC300-6</b>			
	207-30-68500	Recoil & Adjuster Assembly	2	610
	207-30-54140	Spring	2	238
	909022	Seal Kit	2	0.1

A36

2026 Parts Catalog

EXCAVATOR RECOIL & ADJUSTER ASSY.		CAT	
	Part No.	Qty.	Wt.
	<b>CAT E110B, E120B, 311, 311B, 312, 312B</b>		
	417342	Recoil Assembly	2 122
	417338	Adjuster Assembly	2 21
	900408	Seal Kit	2 0.1
	<b>CAT 311D LRR, 311F LRR, 312D (DLP, HCW, LRK, RHL), 312D L (JBC, KES, SKA, TGY, XGK), 312D2, 312D2 GC, 312D2 L, 312E, 312E L, 312F, 312F GC, 313D, 313D2 (FAP, LCY, MDW, PLD, RDE, RNL, ZAA, FEB), 313D2 GC, 313F, 313F GC, 313F L, 313F L GC, 314D CR, 314D LCR, 314E CR, 314E LCR, 315F LCR</b>		
	297-9142	Recoil & Adjuster Assembly	2 152
	PV3001	Seal Kit	2 0.25
	<b>CAT 315, 315B, 315BL, 315C, 315CL</b>		
	130-9332	Recoil & Adjuster Assembly	2 204
	102-8139	Spring	2 91
	901406	Seal Kit	2 0.1
	<b>CAT 320, 320L, E200B, EL200B</b>		
	7Y1602	Recoil & Adjuster Assembly	2 212
	7Y1606	Spring	2 94
	901406	Seal Kit	2 0.1
	<b>CAT 320B, 320BL</b>		
	115-6424	Recoil & Adjuster Assembly	2 229
	115-6427	Spring	2 95
	901407	Seal Kit	2 0.1
	<b>CAT 320C, 320CL, 320CLU</b>		
	194-1229	Recoil & Adjuster Assembly	2 238
	194-1231	Spring	2 112
	901407	Seal Kit	2 0.1
	<b>CAT 322, 322B, 322C, 322CL</b>		
	194-1127	Recoil & Adjuster Assembly	2 274
	176-4882	Spring	2 141
	PV7540	Seal Kit	2 0.2
		<i>Will not fit 322C FM Log Loader s/n: BYL, BPH, M2H</i>	
	<b>CAT 324D, 324DL, 324DLN, 324EL, 324 ELN, 326DL, 326D2, 326F</b>		
	239-4418	Recoil & Adjuster Assembly	2
	239-4369	Spring	2
	SK100161	Seal Kit	2
	<b>CAT 325, 325B, 325BL</b>		
	130-9292	Recoil Assembly	2 327
	7Y0631	Spring	2 151
	102-8109	Adjuster Assembly	2 49
	901408	Seal Kit	2 0.2
	<i>Will also fit 322C FM Log Loader s/n: BYL, BPH, M2H</i>		
	<b>CAT 330, 330B</b>		
	7Y0773	Recoil Assembly	2 375
	417401	Spring, NSS	2
	7Y1457	Adjuster Assembly	2 65
	902403	Seal Kit	2 0.1

A37

2026 Parts Catalog



**SECTION B**  
**HYDRAULIC CYLINDERS**  
**& PUMPS**

Section B



Backhoe Cylinders

Dozer Cylinders

Excavator Cylinders

Hydraulic Pumps

Skidder Cylinders

Skid Steer Cylinders

Wheel Loader Cylinders

[www.paintvalleyequipment.com](http://www.paintvalleyequipment.com)

Phone: 877-774-0081

**SECTION B****HYDRAULIC CYLINDERS & PUMPS**

	<b>Page</b>
<b>BACKHOE CYLINDERS</b>	
CASE, FORD/NEW HOLLAND	B1 - B6
CAT	B19, B20
JOHN DEERE	B10 - B13
JCB	B22
<b>DOZER CYLINDERS</b>	
CASE	B7, B8
CAT	B21, B22
DRESSER	B19
JOHN DEERE	B14 - B17
KOMATSU	B23
<b>WHEEL LOADER CYLINDERS</b>	
CASE	B8
<b>SKID STEER CYLINDERS</b>	
BOBCAT	B9
CASE	B8, B9
JOHN DEERE	B13
<b>SKIDDER CYLINDERS</b>	
JOHN DEERE	B18
<b>EXCAVATOR CYLINDERS</b>	
JOHN DEERE	B19
<b>ARTICULATED DUMP TRUCK CYLINDERS</b>	
CAT	B20
<b>HYDRAULIC PUMPS</b>	
	B23, B24

**BACKHOE CYLINDERS****CASE**

Part No.	Description	Notes	Qty.	Wt.
<b>NEW HOLLAND 555D, 555E, 575D, 575E, 655D, 655E, 675D, 675E, B95, B110, B115, LB75, LB75B, LB90, LB90B, LB95, LB95B, LB110, LB110B, LB115, LB115B</b>				
87315527	Bucket Cylinder		2	125
PV87315527	Seal Kit		2	0.2
83910547	Bushing		2	0.6
<b>NEW HOLLAND 555E, 575E, 655E, 675E, LB75, B90B, B95, B95B, B110, B110B, B115, B115B, LB75B, LB90, LB90B, LB110B, LB115, LB115B, CASE 580SV, 695SV</b>				
85800660	Stabilizer Cylinder		2	112
83971999	Seal Kit		2	0.5
<b>CASE 480B, 480C, 480D, 480E</b>				
1340827C1	Stabilizer Cylinder Assembly	R/H or L/H	2	68
1543261C1	Seal Kit		2	1
<b>CASE 480B, 480C</b>				
1543021C1	Gland		1	5
1543274C1	Seal Kit		1	1
<b>CASE 480B, 480C, 480D, 480E</b>				
G103503	Bucket Cylinder Assembly		1	79
1543268C1	Seal Kit		1	1
<b>CASE 480D, 480E</b>				
G102835	Boom Cylinder Assembly		1	125
1543264C1	Seal Kit		1	1
<b>CASE 580CK</b>				
G101540	Stabilizer Cylinder	Use 1340827C1		
<b>CASE 580CK, 580B</b>				
G35006	Rod, 1 1/2"	Loader Lift Cylinder	2	25
1542962C1	Gland		2	5
1543252C1	Seal Kit	For 1 piece piston	2	1
<b>CASE 580C, 580D, 580E</b>				
G105756	Loader Lift Cylinder		2	84
1542986C1	Gland		2	4
1543262C1	Seal Kit		2	1
<b>CASE 580K, 580SK</b>				
110303A1	Loader Lift Cylinder		2	100
1543260C1	Seal Kit		2	1
<b>CASE 570LXT, 570MXT, 580K, 580SK, 580L, 580SL, 580M, 580SM, 590SL</b>				
110307A1	Rod	Loader Bucket Cylinder	2	16
1543256C1	Seal Kit		2	1
<b>CASE 580C, 580D, 580SE, 680E, 680G, 680H, 680K</b>				
1346044C1	Swing Cylinder		2	82
G110166	Rod, 2"		2	20
G100438	Piston		2	4
1543003C1	Gland		2	8
1543273C1	Seal Kit		2	1
G34875	Bushing, Trunnion		4	0.5

**BACKHOE CYLINDERS** **CASE**

Part No.	Description	Notes	Qty.	Wt.
<b>CASE 580B, 580C</b>				
G101180	Stabilizer Cylinder Assembly R/H		1	89
G101181	Stabilizer Cylinder Assembly L/H		1	89
G34475	Rod, 2"		2	28
G100438	Piston		2	4
1543003C1	Gland		2	8
1543273C1	Seal Kit		2	1
D36203	Bushing, Tube End	<i>Sold Separate</i>	2	0.9
<b>CASE 580D, 580E</b>				
G109140	Stabilizer Cylinder Assembly R/H		1	96
G109139	Stabilizer Cylinder Assembly L/H		1	96
G107916	Rod, 2"		2	32
G100438	Piston		2	4
1543003C1	Gland		2	8
1543273C1	Seal Kit		2	1
<b>CASE 580B, 580C, 580D, 580E</b>				
G106168	Boom Cylinder Assembly		2	104
G106169	Tube, 3 1/4"		2	60
G33885	Rod, 1 3/4"		2	38
G100642	Piston		2	3
1542972C1	Gland		2	5
1543265C1	Seal Kit		2	1
<b>CASE 580B, 580C, 580D, 580E</b>				
G106682	Dipper Cylinder Assembly		1	128
G105087	Rod, 2"		1	42
G100438	Piston		1	4
1543003C1	Gland		1	8
1543273C1	Seal Kit		1	1
<b>CASE 580B, 580C, 580D, 580E</b>				
G109434	Bucket Cylinder Assembly	<i>2 1/2" Rod</i>	1	120
G103357	Piston		1	3
1543294C1	Seal Kit		1	1
G33162	Rod, 2"	<i>580B, 580C</i>	1	40
1543274C1	Seal Kit	<i>For cylinders with a 2" rod</i>	1	1
<b>CASE 580K, 580SK</b>				
1971702C4	Swing Cylinder		2	55
1978061C3	Rod 1 3/4"		2	17
1971707C2	Gland		2	5
1543266C1	Seal Kit		2	1

B2

2026 Parts Catalog

**BACKHOE CYLINDERS** **CASE**

Part No.	Description	Notes	Qty.	Wt.
<b>CASE 580K</b>				
G110672	Stabilizer Cylinder R/H		1	106
G110673	Stabilizer Cylinder L/H		1	106
G110512	Tube R/H, 4 1/4"		1	64
G110513	Tube L/H, 4 1/4"		1	64
1978060C1	Rod, 2"		2	31
G110522	Piston		2	4
297284A1	Gland		2	7
1543275C1	Seal Kit		2	1
PVPK12	Pin Kit	<i>Includes: 1 pin &amp; 4 bushings for stabilizer arm</i>	2	11
<b>CASE 580SK</b>				
199720A1	Stabilizer Cylinder R/H		1	100
199721A1	Stabilizer Cylinder L/H		1	100
199722A1	Tube R/H, 4 1/4"		1	59
199723A1	Tube L/H, 4 1/4"		1	59
123726A1	Rod, 2"	<i>for 199720A1, 199721A1 cylinders</i>	2	32
123732A1	Piston	<i>for 199720A1, 199721A1 cylinders</i>	2	4
297284A1	Gland		2	7
1543275C1	Seal Kit		2	1
1978060C1	Rod, 2"	<i>for 1986804C1, 1986805C1 cylinders</i>	2	31
G110522	Piston	<i>for 1986804C1, 1986805C1 cylinders</i>	2	4
<b>CASE 580K</b>				
1980460C2	Boom Cylinder		1	175
1978057C1	Rod, 2 1/4"	<i>Rod end 5 3/4" wide</i>	1	70
1346018C2	Piston		1	8
1958028C1	Relief Valve		1	0.2
1542918C3	Gland		1	15
1542919C4	Seal Kit		1	1
<b>CASE 580SK</b>				
1543391C1	Boom Cylinder		1	165
1346018C2	Piston		1	8
1958028C1	Relief Valve		1	0.2
1542918C3	Gland		1	15
1542919C4	Seal Kit		1	1
<b>CASE 580K, 580SK</b>				
110294A1	Dipper Cylinder		1	154
110295A1	Tube, 5"		1	84
1542665C2	Rod, 2 1/2"		1	53
G110569	Piston		1	8
1542914C1	Gland		1	16
1542915C2	Seal Kit		1	1
<b>CASE 580K, 580SK</b>				
235916A1	Bucket Cylinder		1	135
196164A1	Rod, 2 1/2"	<i>use with 1 1/4" Bolt</i>	1	59
235921A1	Gland		1	5
1542923C2	Seal Kit		1	1

B3

2026 Parts Catalog

## BACKHOE CYLINDERS

## CASE

Part No.	Description	Notes	Qty.	Wt.
<b>CASE 580L, 580M, 570LXT</b>				
195503A1	Stabilizer Cylinder R/H		1	95
195504A1	Stabilizer Cylinder L/H		1	95
123726A1	Rod, 2"		2	32
128135A2	Gland		2	8
1543269C1	Seal Kit		2	1
<b>CASE 580L, 580M, 570LXT</b>				
189653A2	Boom Cylinder		1	174
182109A1	Rod, 2 1/4"		1	57
182218A1	Seal Kit		1	1
<b>CASE 580L, 580M, 570LXT</b>				
233114A2	Dipper Cylinder		1	130
234141A2	Gland		1	8.2
234844A1	Seal Kit		1	1
<b>CASE 580L, 580M, 570LXT</b>				
128760A1	Bucket Cylinder		1	112
198033A1	Rod, 2 1/4"		1	49
131750A2	Seal Kit		1	1
<b>CASE 580SL, 580SM</b>				
199720A1	Stabilizer Cylinder R/H		1	100
199721A1	Stabilizer Cylinder L/H		1	100
199722A1	Tube R/H, 4 1/4"		1	59
199723A1	Tube L/H, 4 1/4"		1	59
123726A1	Rod, 2"		2	32
297284A1	Gland		2	7
123732A1	Piston		2	4
1543275C1	Seal Kit		2	1
<b>CASE 580SL, 580SM Series 1</b>				
144200A1	Boom Cylinder		1	166
144201A1	Tube 5"		1	92
123405A6	Rod 2 1/4"		1	52
1542918C3	Gland		1	15
1346018C2	Piston		1	8
1958028C1	Relief Valve		1	0.2
1542919C4	Seal Kit		1	1
<b>CASE 580SM Series 2 &amp; Series 3</b>				
87711763	Boom Cylinder		1	182
87618685	Piston, without relief valve		1	10
1958028C1	Relief Valve		1	0.2
87418297	Seal Kit		1	1
<b>CASE 580SL, 580SM</b>				
183795A3	Dipper Cylinder		1	154
183796A2	Tube 5"		1	84
178850A1	Rod 2 1/2"		1	53
1542914C1	Gland		1	16
G110569	Piston		1	8
1542915C2	Seal Kit		1	1

B4

2026 Parts Catalog

## BACKHOE CYLINDERS

## CASE

Part No.	Description	Notes	Qty.	Wt.
<b>CASE 580SL, 580SM</b>				
235916A1	Bucket Cylinder		1	135
196164A1	Rod 2 1/2"		1	59
235921A1	Gland		1	5
1542923C2	Seal Kit		1	0.2
<b>CASE 580K, 580SK, 580L, 580SL, 580M, 580SM</b>				
1340969C2	Extension Cylinder		1	100
1543267C1	Seal Kit		1	0.2
<b>CASE 570LXT, 580L, 580M, 580N, (580SM Series 3 - check bore size before ordering)</b>				
188027A2	Swing Cylinder, 3-3/4" Bore		2	96
124568A2	Bushing, Trunnion		2	0.4
137248A1	Self Aligning Bushing, Rod Eye		2	2
100-21315	Snap Ring		4	0.05
191747A1	Seal Kit		2	0.2
<b>CASE 580SL, 580SM, 580SN, 590SL, 590SM, 590SN (580SM Series 3 check bore size before ordering)</b>				
139808A2	Swing Cylinder, 4" Bore		2	99
124568A2	Bushing, Trunnion		2	0.4
137248A1	Self Aligning Bushing, Rod Eye		2	2
100-21315	Snap Ring		4	0.05
122535A1	Seal Kit		2	0.2
<b>Case 570LXT, 570MXT, 570NXT, 570N EP, 580L, 580SL, 580M, 580SM, 580SM+, 580N EP</b>				
87384876	Loader Lift Cylinder		2	81
1543260C1	Seal Kit		2	0.2
<b>CASE 570MXT, 580L, 580SL, 580M, 580SM, 590L, 590SL</b>				
113133A2	Loader Bucket Cylinder	also fits 580K, 580SK must replace both	2	54
110307A1	Rod 1 1/2"		2	16
G108512	Bushing, Trunnion		2	0.2
1543256C1	Seal Kit		2	0.2
<b>CASE 580N</b>				
84421604	Stabilizer Cylinder R/H	<i>not for EP models</i>	1	108
84421603	Stabilizer Cylinder L/H	<i>not for EP models</i>	1	108
84259226	Seal Kit		2	0.3
<b>CASE 580N</b>				
84551146	Boom Cylinder		1	191
84259218	Seal Kit		1	0.4
<b>CASE 580N</b>				
47458137	Dipper Cylinder		1	143
84259221	Seal Kit		1	0.4
<b>CASE 580N</b>				
84421594	Bucket Cylinder		1	120
84259224	Seal Kit		1	0.2
<b>CASE 580N, 580SN</b>				
84421678	Extension Cylinder		1	94
86982377	Seal Kit		1	0.2

B5

2026 Parts Catalog

**BACKHOE CYLINDERS****CASE**

Part No.	Description	Notes	Qty.	Wt.
<b>CASE 580SN</b>				
84421606	Stabilizer Cylinder R/H	<i>not for WT models</i>	1	114
84421605	Stabilizer Cylinder L/H	<i>not for WT models</i>	1	114
84259227	Seal Kit		2	0.3
<b>CASE 580SN</b>				
84421588	Boom Cylinder		1	218
84259219	Seal Kit		1	0.4
<b>CASE 580SN</b>				
47458141	Dipper Cylinder		1	207
84259222	Seal Kit		1	0.4
<b>CASE 580SN</b>				
84421595	Bucket Cylinder		1	135
84259225	Seal Kit		1	0.2
<b>CASE 580SM+, 590, 590SL, 590SL Series 2, 590SM, 590SM+</b>				
177256A1	Stabilizer Cylinder R/H		1	125
177257A1	Stabilizer Cylinder L/H		1	125
177261A1	Rod, 2 1/4"		2	36
1542918C3	Gland		2	15
1543289C2	Seal Kit		2	1
<b>CASE 590SL, 590SL Series 2, 590SM</b>				
175785A1	Boom Cylinder		1	230
1980412C2	Seal Kit		1	0.6
<b>CASE 590SL, 590SL Series 2, 590SM</b>				
140965A1	Dipper Cylinder		1	188
179011A1	Seal Kit		1	0.6
<b>CASE 590SL Series 2, 590SM</b>				
296434A1	Bucket Cylinder		1	155
297895A1	Seal Kit		1	0.4
<b>CASE 590SL, 590SM</b>				
133936A1	Loader Lift Cylinder		2	84
1543266C1	Seal Kit		2	1
<b>CASE 680E s/n 9127845-, 680G, 680H, 680K, 680L</b>				
1986853C1	Stabilizer Cylinder Assembly		2	114
1543270C1	Seal Kit		2	1
<b>CASE 680E, 680G, 680H, 680K, 680L</b>				
G101256	Boom Cylinder Assembly		2	160
1543277C1	Seal Kit		2	1
<b>CASE 680E, 680G, 680H, 680K, 680L</b>				
1345994C1	Dipper Cylinder Assembly		1	175
1543291C1	Seal Kit		1	1
<b>CASE 680E, 680G, 680H, 680K</b>				
1346044C1	Swing Cylinder Assemly		2	82
G110166	Rod, 2"		2	20
G100438	Piston		2	4
1543003C1	Gland		2	8
G34875	Bushing, Trunnion		4	0.5
1543273C1	Seal Kit		2	1

**B6**

2026 Parts Catalog

**DOZER CYLINDERS****CASE**

Part No.	Description	Notes	Qty.	Wt.
<b>CASE 450, 450B, 450C, 550, 550E, 550G</b>				
140146A1	Angle Cylinder		2	66
1543003C1	Gland		2	8
G100438	Piston		2	4
1543273C1	Seal Kit		2	1
<b>CASE 450, 450B, 450C, 550</b>				
G101228	Tilt Cylinder		1	58
1543021C1	Gland		1	5
1543274C1	Seal Kit		1	1
G34348	Lift Cylinder Rod	1 1/4" Clevis End For Dozer Lift Cyl	2	18
<b>CASE 550E, 550G</b>				
1542717C1	Tilt Cylinder		1	39
1543256C1	Seal Kit		1	1
<b>CASE 850B, 850C, 850D, 850E</b>				
1542644C1	Angle Cylinder		2	85
1543270C1	Seal Kit		2	1
G35470	Rod	For Dozer Lift Cylinder	2	22
1542962C1	Gland		2	5
1543252C1	Seal Kit		2	1
G109485	Tilt Cylinder		1	65
1543003C1	Gland		1	8
G100438	Piston		1	4
1543273C1	Seal Kit		1	1
<b>CASE 650G, 650H, 750H, 850G, 850H</b>				
190595A2	Angle Cylinder	Without bushings	2	70
116965A2	Rod	Without bushing	2	21
1986982C1	Piston		2	4
1543266C1	Seal Kit		2	1
613524C91	Bushing, Self Aligning		4	1.4
103-21281	Snap Ring		8	0.05
<b>CASE 650G, 650H, 750H, 850G, 850H</b>				
116211A2	Lift Cylinder		2	70
1543266C1	Seal Kit		2	1
<b>CASE 650K, 750K, 750L, 850K, 850L</b>				
412359A1	Angle Cylinder	Without bushings	2	70
430296A1	Rod	Without bushing	2	21
1986982C1	Piston		2	4
1543266C1	Seal Kit		2	1
407539A1	Bushing, Self Aligning	Tube End	2	1.6
407538A1	Bushing, Self Aligning	Rod End	2	1.8
103-21281	Snap Ring		8	0.05

**B7**

2026 Parts Catalog

## DOZER CYLINDERS

## CASE

Part No.	Description	Notes	Qty.	Wt.
<b>CASE 650G, 650H, 750H, 850G, 850H</b>				
117511A1	Tilt Cylinder	with bushings	1	52
613524C91	Bushing, self aligning		2	1.4
103-21281	Snap Ring		4	0.05
1543266C1	Seal Kit		1	1
<b>CASE 650K, 750K, 850K</b>				
412357A1	Tilt Cylinder	with bushings	1	53
407538A1	Bushing, self aligning		2	1.8
103-21281	Snap Ring		4	0.05
1543266C1	Seal Kit		1	1
<b>CASE 1150B, 1150C, 1150D, 1150E (Outside mount 8 way blade)</b>				
1542972C1	Gland	1150E	2	5
G100642	Piston	1150E	2	3
1543265C1	Seal Kit	1150E	2	1
1543261C1	Seal Kit	1150B, 1150C, 1150D	2	1
<b>CASE 1150E LT, 1150G, 1150H, 1150K (Inside mount 6 way blade)</b>				
G109819	Lift Cylinder	with bushings	2	84
848532	Bushing, self aligning	Not for 1150K	2	0.9
100-21244	Snap ring		4	0.05
D31140	Bushing, trunnion		4	0.3
1543265C1	Seal kit		2	1
G110702	Angle Cylinder	with bushings	2	122
D23601	Bushing, self aligning		4	2
100-21315	Snap ring		8	0.05
1542915C2	Seal kit		2	1
G110694	Tilt Cylinder	with bushings	1	90
D23601	Bushing, self aligning		2	2
100-21315	Snap ring		4	0.05
1542915C2	Seal kit		1	1

## WHEEL LOADER CYLINDERS

## CASE

<b>CASE 621, 621B, (621C with Z-Bar loader)</b>				
339921A1	Tilt Cylinder	Loader bucket	1	312
L127014	Bushing		2	2.5
1543306C1	Seal Kit		1	1
<b>CASE 821B, 821C</b>				
229402A1	Steering Cylinder		2	71
1543266C1	Seal Kit		2	1

## SKID STEER / COMPACT TRACK LOADER CYLINDERS

## CASE

<b>CASE 1835, 1835B, 1835C, 1838, 1840</b>				
118110A1	Tilt Cylinder		2	33
128728A1	Seal Kit		2	1

## SKID STEER / COMPACT TRACK LOADER CYLINDERS

## CASE &amp; BOBCAT

Part No.	Description	Notes	Qty.	Wt.
<b>CASE 1835B, 1835C, 1838, 1840</b>				
117824A1	Lift Cylinder		2	55
128725A1	Seal Kit		2	0.1
<b>CASE 1845, 1845B, 1845C</b>				
118156A1	Tilt Cylinder		2	41
128728A1	Seal Kit		2	0.1
<b>CASE 1845, 1845B, 1845C</b>				
129011A1	Lift Cylinder		2	50
128725A1	Seal Kit		2	0.1
<b>CASE 60XT, 70XT, 420 s/n 466710-, 430, 440, 420CT s/n 455401-, Ser. 3, 440CT</b>				
87705799	Lift Cylinder		2	65
87705824	Seal Kit		0.1	0.1
<b>CASE 60XT, 420 s/n 466710-, 430, 420CT s/n 45501-, 440CT Ser. 3</b>				
87438187	Tilt Cylinder		2	38
86613643	Seal Kit		0.1	0.1
<b>CASE 75XT s/n -318922</b>				
305509A2	Lift Cylinder	Not Available, Order Qty. (2) 336187A1		
<b>CASE 75XT s/n 318923-, 85XT s/n 352235-, 90XT s/n 320051-, 435, 445 s/n -454786, 445CT s/n -458846</b>				
336187A1	Lift Cylinder		2	76
198376A2	Seal Kit		0.1	0.1
<b>CASE 75XT, 435, 445 s/n -454786</b>				
259694A3	Tilt Cylinder		2	42
252828A3	Seal Kit		0.1	0.1
<b>CASE 90XT s/n -320050, 450, 450CT</b>				
308258A2	Lift Cylinder		2	76
231726A3	Seal Kit		0.1	0.1
<b>CASE 85XT, 95XT s/n -311356, 445 s/n 454787-, 465</b>				
258426A3	Tilt Cylinder		2	45
275503A2	Seal Kit		0.1	0.1
<b>BOBCAT S130, T140</b>				
6809201	Lift Cylinder		2	29
7137770	Seal Kit		0.1	0.1
<b>BOBCAT S130, T140, 763, 773-Single Tilt</b>				
6804630	Tilt Cylinder		1	45
7196894	Seal Kit		0.4	0.4
<b>BOBCAT S175, S185, S205, T190, 773</b>				
7117667	Lift Cylinder		2	43
7135559	Seal Kit		0.4	0.4
<b>BOBCAT S150, S160, S175, S185, S205, T180, T190, 773-Double Tilt</b>				
7117174	Tilt Cylinder		2	31
6806330	Seal Kit		0.4	0.4
<b>BOBCAT S250, S300, S330, T300, T320, A300</b>				
7106456	Lift Cylinder		2	59
7137939	Seal Kit		0.4	0.4
<b>BOBCAT S220, S250, S300, S330, T250, T300, T320, A300</b>				
7208419	Tilt Cylinder		2	40
7135547	Seal Kit		0.4	0.4

BACKHOE CYLINDERS			JOHN DEERE	
Part No.	Description	Notes	Qty.	Wt.
<b>JOHN DEERE 300D, (310C after s/n 761935) 310D, 410C, 410D, 510C, 510D</b>				
AH147720	Stabilizer Cylinder L/H	L/H & R/H is determined when operating the backhoe	1	95
AH147721	Stabilizer Cylinder R/H		1	95
<b>Note: On 310D after s/n 802200, &amp; 410D after s/n 801200, also order H144296 bushing with the stabilizer cylinder</b>				
RE26577	Rod	With M30 x 3.5 x 80 bolt	2	30
H157978	Gland	With R81793 nut	2	7
AHC22109	Seal Kit, Bore	100 mm	2	0.1
AHC16954	Seal Kit, Rod	50 mm	2	0.1
H144296	Bushing		2	1
<b>JOHN DEERE 310D, 315D, 410D s/n 801200-</b>				
AH154775	Boom Cylinder	Standard machines, not for heavy lift series	1	175
AH212103	Seal Kit, Bore	115 mm	1	0.1
AH149814	Seal Kit, Rod	56 mm	1	0.1
<b>JOHN DEERE 310C, 310D, 410C, 410D s/n 801200-</b>				
AH154776	Dipper Cylinder		1	140
AH212101	Seal Kit, Bore	100 mm	1	0.1
AH149814	Seal Kit, Rod	56 mm	1	0.1
<b>JOHN DEERE 310C, 310D, 410C, 410D</b>				
AH147722	Bucket Cylinder	Will not fit 410D with extendable dipperstick	1	107
H154352	Gland	With R81794 nut	1	6
AHC22108	Seal Kit, Bore	90 mm	1	0.1
AH148164	Seal Kit, Rod	50 mm	1	0.1
<b>JOHN DEERE 310E, 310G, 310J, 310K</b>				
AH219500	Stabilizer Cylinder R/H		1	71
AH219499	Stabilizer Cylinder L/H		1	71
AH147902	Rod	With Bolt	2	26
AH173410	Piston, Unitized		2	2.0
AHC16954	Seal Kit, Rod	50 mm	2	0.1
AHC22107	Seal Kit, Bore	80 mm	2	0.1
<b>JOHN DEERE 310E, 310G, 310J, 310K</b>				
AH219632	Boom Cylinder		1	188
AH149814	Seal Kit, Rod	56 mm	1	0.1
AH212585	Seal Kit, Bore	110 mm	1	0.1
<b>JOHN DEERE 310E, 310G, 310J, 310K</b>				
AH219633	Dipper Cylinder		1	145
AH149815	Seal Kit, Rod	63 mm	1	0.1
AH212585	Seal Kit, Bore	110 mm	1	0.1
H158947	Rod Bushing		1	1.2
<b>JOHN DEERE 310E, 310G, 310J, 310K</b>				
AH219631	Bucket Cylinder		1	97
AH173410	Piston, Unitized		1	2.0
AHC16954	Seal Kit, Rod	50 mm	1	0.1
AHC22107	Seal Kit, Bore	80 mm	1	0.1
H155419	Rod Bushing		1	0.8
<b>JOHN DEERE 310E, 310G, 310J, 310K, 310L, 310 G-Tier, 310 P-Tier</b>				
AHC11319	Swing Cylinder		1	70
AHC11572	Seal Kit, Rod	45 mm	1	0.2
AH212091	Seal Kit, Bore	80 mm	1	0.2
H151328	Bushing, Trunnion		2	0.6
H180402	Rod Eye Bushing		1	1.2

**B10**

2026 Parts Catalog

BACKHOE CYLINDERS			JOHN DEERE	
Part No.	Description	Notes	Qty.	Wt.
<b>JOHN DEERE 310SE, 310SG, 310SJ, 310SK, 410J</b>				
AH219538	Stabilizer Cylinder R/H		1	81
AH219537	Stabilizer Cylinder L/H		1	81
AH147902	Rod	With bolt	2	26
AHC16954	Seal Kit, Rod	50 mm	2	0.1
AHC22108	Seal Kit, Bore	90mm	2	0.2
<b>JOHN DEERE 410E, 410G</b>				
AH219542	Stabilizer Cylinder R/H		1	96
AH219541	Stabilizer Cylinder L/H		1	96
AH147902	Rod	With bolt	2	26
AHC16954	Seal Kit, Rod	50 mm	2	0.1
AHC22109	Seal Kit, Bore	100 mm	2	0.1
<b>JOHN DEERE 310SE, 310SG, 310SJ, 310SK, 310SL, 315SG, 315SJ, 315SK, 315SL, 325J, 325K, 325SK</b>				
AH217444	Boom Cylinder		1	215
AH149814	Seal Kit, Rod	56 mm	1	0.1
AH149847	Seal Kit, Bore	120 mm	1	0.1
H152140	Rod Bushing		1	1.6
H150964	Tube Bushing		2	0.6
<b>JOHN DEERE 310SE, 310SG, 310SJ, 310SK</b>				
AH219637	Dipper Cylinder		1	176
AH149815	Seal Kit, Rod	63 mm	1	0.1
AH212103	Seal Kit, Bore	115 mm	1	0.1
H151820	Rod Bushing		1	1.4
<b>JOHN DEERE 310SE, 310SG, 310SJ, 310SK</b>				
AH219636	Bucket Cylinder		1	121
AH149814	Seal Kit, Rod	56 mm	1	0.1
AH212096	Seal Kit, Bore	90 mm	1	0.1
H180402	Rod Bushing		1	1.2
<b>JOHN DEERE 410E, 410G, 410J, 410K</b>				
AH219640	Dipper Cylinder		1	183
AH149815	Seal Kit, Rod	63 mm	1	0.1
AH212103	Seal Kit, Bore	115 mm	1	0.1
H151820	Rod Bushing		1	1.4
<b>JOHN DEERE 410E, 410G, 410J, 410K (Heavy Duty option for 310SG, 310SJ, 310SK)</b>				
AH219638	Bucket Cylinder		1	151
AH149815	Seal Kit, Rod	63 mm	1	0.1
AH212101	Seal Kit, Bore	100 mm	1	0.1
H180402	Rod Bushing		1	1.2
<b>JOHN DEERE 310SE, 310SG, 310SJ, 310SK, 310SL, 315SE, 315SG, 315SJ, 315SK, 315SL, 325J, 325K, 325SK, 325SL, 410E, 410J, 410K, 410L, 320 P-Tier, 410 P-Tier</b>				
AHC11321	Swing Cylinder		1	82
AHC16954	Seal Kit, Rod	50 mm	1	0.2
AH212096	Seal Kit, Bore	90 mm	1	0.2
H151328	Bushing, Trunnion		2	0.6
H180402	Rod Eye Bushing		1	1.2

**B11**

2026 Parts Catalog

## BACKHOE CYLINDERS

## JOHN DEERE

Part No.	Description	Notes	Qty.	Wt.
<b>JOHN DEERE 310L, 310 G-Tier, 310 P-Tier</b>				
AHC14426	Boom Cylinder		1	188
AHC16683	Seal Kit, Rod	56 mm	1	0.2
AHC20489	Seal Kit, Bore	110 mm	1	0.1
H155420	Rod Bushing		1	1.4
<b>JOHN DEERE 310L, 310 G-Tier, 310 P-Tier</b>				
AHC19406	Dipper Cylinder		1	145
AHC13362	Seal Kit, Rod	63 mm	1	0.4
AHC20489	Seal Kit, Bore	110 mm	1	0.2
H158947	Rod Bushing		1	1.2
<b>JOHN DEERE 310L, 310 G-Tier, 310 P-Tier</b>				
AHC14433	Bucket Cylinder		1	98
AH173410	Piston, Unitized		1	2.0
H155419	Rod Bushing		1	0.8
AHC16954	Seal Kit, Rod	50mm	1	0.2
AHC22107	Seal Kit, Bore	80mm	1	0.5
<b>JOHN DEERE 310L, 310 G-Tier, 310 P-Tier</b>				
AHC14414	Stabilizer Cylinder R/H		1	72
AHC14413	Stabilizer Cylinder L/H		1	72
AH147902	Rod	With Bolt	2	26
AH173410	Piston, Unitized		2	2.0
H154404	Rod Bushing		2	0.6
AHC16954	Seal Kit, Rod	50mm	2	0.2
AHC22107	Seal Kit, Bore	80mm	2	0.5
<b>JOHN DEERE 310SL, 315SL, 325SL, 320 P-Tier</b>				
AHC15730	Boom Cylinder		1	215
AHC16683	Seal Kit, Rod	56 mm	1	0.2
AH149847	Seal Kit, Bore	120 mm	1	0.1
H152140	Rod Bushing		1	1.6
H150964	Tube Bushing		2	0.6
<b>JOHN DEERE 310SL, (315SL w/ Std. Arm), 320 P-Tier</b>				
AHC19446	Dipper Cylinder		1	145
AHC13362	Seal Kit, Rod	63 mm	1	0.4
AHC21922	Seal Kit, Bore	110 mm	1	0.4
H151820	Rod Bushing		1	1.4
<b>JOHN DEERE 310SL, 315SL, 320 P-Tier</b>				
AHC14434	Bucket Cylinder		1	121
AHC16683	Seal Kit, Rod	56 mm	1	0.2
AHC19979	Seal Kit, Bore	90 mm	1	0.2
H180402	Rod Bushing		1	1.2

B12

2026 Parts Catalog

## BACKHOE CYLINDERS

## JOHN DEERE

Part No.	Description	Notes	Qty.	Wt.
<b>JOHN DEERE 310SL, 410L, 310 G-Tier, 310 P-Tier, 320 P-Tier, 410 P-Tier</b>				
AHC14416	Stabilizer Cylinder R/H		1	82
AHC14415	Stabilizer Cylinder L/H		1	82
AH147902	Rod	With Bolt	2	26
H154404	Rod Bushing		2	0.6
AHC16954	Seal Kit, Rod	50mm	2	0.2
AHC22108	Seal Kit, Bore	90mm	2	0.2
<b>JOHN DEERE 410L, 410 P-Tier, (Heavy Duty option for 310SL, 315SL, 325SL, 320 P-Tier)</b>				
AHC15705	Bucket Cylinder	100mm Bore	1	152
AHC13362	Seal Kit, Rod	63 mm	1	0.4
AHC19978	Seal Kit, Bore	100 mm	1	0.2
H180402	Rod Bushing		1	1.2
<b>JOHN DEERE 310L, 310SL, 320 P-Tier, 410 J, 410K, 410L, 410 P-Tier</b>				
AHC14418	Extended Stabilizer Cylinder R/H		1	97
AHC14417	Extended Stabilizer Cylinder L/H		1	97
AH147902	Rod	With Bolt	2	26
H154404	Rod Bushing		2	0.6
AHC16954	Seal Kit, Rod	50mm	2	0.2
AHC22109	Seal Kit, Bore	100mm	2	0.5
<b>JOHN DEERE 331 P, 331G, 332G, 333G</b>				
AHC18283	Bucket Cylinder		2	
H177195	Bushing, Rod End		2	
AHC11572	Seal Kit, Rod		2	
AHC19979	Seal Kit, Bore		2	
<b>JOHN DEERE 332G, 333G, 333 P, 334 P, 335 P</b>				
AHC18598	Boom Cylinder		2	
AHC11572	Seal Kit, Rod		2	
AHC21127	Seal Kit, Bore		2	

B13

2026 Parts Catalog

**DOZER CYLINDERS** **JOHN DEERE**

Part No.	Description	Notes	Qty.	Wt.
<b>JOHN DEERE 350, 350B, 350C</b>				
AU13835	Tilt Cylinder	Will replace AT44162	1	22
AR105453	Seal Kit		1	1
<b>JOHN DEERE 450, 450B, 450C, 450D, 450E, 550, 550B (6405 Blade)</b>				
AU13861	Angle Cylinder		2	60
AU13858	Rod, 1 1/2"		2	13
AR105432	Seal Kit		2	1
<b>JOHN DEERE 450, 450B, 450C, 450D, 450E, 550, 550B (6405 Blade)</b>				
AT40473	Lift Cylinder		2	64
AR105432	Seal Kit		2	1
<b>JOHN DEERE 450, 450B, 450C, 450D, 450E, 550, 550B (6405 Blade)</b>				
AU13847	Tilt Cylinder		1	40
AR105432	Seal Kit		1	1
<b>JOHN DEERE 450G, 450G Long Track</b>				
AH161764	Angle Cylinder	Without bushings	2	56
RE35224	Rod		2	20
H157171	Gland	With nut	2	3
AH158623	Piston, Non-Unitized		2	3
AH212090	Seal Kit, Bore	70 mm	2	0.1
AH149194	Seal Kit, Rod	40 mm	2	0.1
AT157173	Bushing		4	2
<b>JOHN DEERE 450G Wide Track, 550G, 650G</b>				
AH161770	Angle Cylinder	Without bushings	2	58
RE33758	Rod		2	22
H157510	Gland	With nut	2	3
AH149842	Seal Kit, Bore	80 mm	2	0.1
AH149813	Seal Kit, Rod	45 mm	2	0.1
AT157173	Bushing		4	2
<b>JOHN DEERE 450G, 550G, 650G</b>				
AH161762	Lift Cylinder	With bushings	2	56
H157174	Gland	With nut	2	3
RE34085	Piston, Unitized		2	2.2
AHC22107	Seal Kit, Bore	80 mm	2	0.1
AHC13485	Seal Kit, Rod	40 mm	2	0.1
<b>JOHN DEERE 650G</b>				
AH161766	Tilt Cylinder	Without bushings Also fits 450G, 550G	1	49
AHC22109	Seal Kit, Bore	100 mm	1	0.1
AHC16954	Seal Kit, Rod	50 mm	1	0.1
AT157173	Bushing		2	2
<b>SNAP RINGS FOR SELF ALIGNING BUSHINGS</b>				
40M5099	Snap Ring	Used with AT157173 bushing		0.05

B14

2026 Parts Catalog

**DOZER CYLINDERS** **JOHN DEERE**

Part No.	Description	Notes	Qty.	Wt.
<b>JOHN DEERE 450H</b>				
AH150349	Lift Cylinder	With bushings	2	54.0
RE34085	Piston, Unitized		2	2.2
AHC22107	Seal Kit, Bore	80 mm	2	0.1
AHC13485	Seal Kit, Rod	40 mm	2	0.1
R89683	Bushing	Tube end	2	1.0
R84376	Bushing	Rod end	2	1.0
<b>JOHN DEERE 450H, 450J</b>				
AH216716	Angle Cylinder	Without bushings	2	41.0
AH137177	Piston, Unitized		2	0.8
AH212088	Seal Kit, Bore	63 mm	2	0.1
AH153497	Seal Kit, Rod	40 mm	2	0.2
AH155619	Bushing	Tube end	2	1.0
AT157173	Bushing	Rod end	2	2.0
<b>JOHN DEERE 550H, 550J, 650H, 650J</b>				
AH211851	Angle Cylinder	Without bushings	2	54.0
AH165962	Piston, Unitized		2	1.0
AH212090	Seal Kit, Bore	70 mm	2	0.1
AHC11572	Seal Kit, Rod	45 mm	2	0.1
AH155619	Bushing	Tube end	2	1.0
AT157173	Bushing	Rod end	2	2.0
<b>JOHN DEERE 650H, 650J Also Fits 450H, 450J, 550H, 550J</b>				
AHC15679	Tilt Cylinder	With bushings	1	53.0
AHC22109	Seal Kit, Bore	100 mm	1	0.1
AHC16954	Seal Kit, Rod	50 mm	1	0.2
AH155619	Bushing	Tube end	1	1.0
AT157173	Bushing	Rod end	1	2.0
<b>JOHN DEERE 450J, 550H, 550J, 650H, 650J</b>				
AH163865	Lift Cylinder	With bushings	2	54.0
RE34085	Piston, Unitized		2	2.2
AHC22107	Seal Kit, Bore	80 mm	2	0.1
AHC13485	Seal Kit, Rod	40 mm	2	0.1
R89683	Bushing	Tube end	2	1.0
R84376	Bushing	Rod end	2	1.0
<b>JOHN DEERE 450K, 550K, 650K</b>				
AHC14485	Lift Cylinder	With bushings	2	54.0
RE34085	Piston, Unitized		2	2.2
AHC22107	Seal Kit, Bore	80 mm	2	0.1
AHC13485	Seal Kit, Rod	40 mm	2	0.1
R89683	Bushing	Tube end	2	1.0
R84376	Bushing	Rod end	2	1.0
<b>SNAP RINGS FOR SELF ALIGNING BUSHINGS</b>				
40M5099	Snap Ring	Used with AT157173 bushing		0.05
40M7090	Snap Ring	Used with AH155619 bushing		0.05

B15

2026 Parts Catalog

DOZER CYLINDERS			JOHN DEERE	
Part No.	Description	Notes	Qty.	Wt.
<b>JOHN DEERE 550K s/n -291536, 650K s/n -291536</b>				
AHC14487	Angle Cylinder	With bushings	2	58
AH165962	Piston, Unitized		2	1.0
AH212090	Seal Kit, Bore	70 mm	2	0.1
AHC11572	Seal Kit, Rod	45 mm	2	0.2
AH155619	Bushing, Self Aligning	Tube end	2	1.0
AT157173	Bushing, Self Aligning	Rod end	2	2.0
<b>JOHN DEERE 450K, 550K s/n 291537 -, 650K s/n 291537 -</b>				
AHC17022	Angle Cylinder, R/H	With bushings	1	58
AHC17023	Angle Cylinder, L/H	With bushings	1	58
AH165962	Piston, Unitized		2	1.0
AH212090	Seal Kit, Bore	70 mm	2	0.1
AHC11572	Seal Kit, Rod	45 mm	2	0.2
AH155619	Bushing, Self Aligning	Tube end	2	1.0
AT157173	Bushing, Self Aligning	Rod end	2	2.0
<b>JOHN DEERE 450K, 550K, 650K</b>				
AHC14489	Tilt Cylinder	With bushings	1	53
AHC22109	Seal Kit, Bore	100 mm	1	0.1
AHC16954	Seal Kit, Rod	50 mm	1	0.2
AH155619	Bushing, Self Aligning	Tube End	1	1.0
AT157173	Bushing, Self Aligning	Rod End	1	2.0
<b>JOHN DEERE 700H, 700J, 700K</b>				
AH215878	Lift Cylinder	With bushings	2	93
AHC22109	Seal Kit, Bore	100 mm	1	0.1
AHC16954	Seal Kit, Rod	50 mm	1	0.2
R81971	Bushing	Rod end	2	1.6
R81968	Bushing	Tube end	2	0.8
<b>JOHN DEERE 700H, 700J s/n -291536, 700K s/n -291536</b>				
AHC15750	Angle Cylinder	With bushings	2	89
AH169827	Piston, Unitized		2	3.0
AHC16683	Seal Kit, Rod	56 mm	2	0.2
AHC22108	Seal Kit, Bore	90 mm	2	0.2
AH150341	Bushing, Self Aligning		4	1.2
<b>JOHN DEERE 700J (Tier 3) s/n 291537-, 700K s/n 291537-, 700L, 700 P</b>				
AHC19714	Angle Cylinder, LH	With bushings	1	88
AHC19715	Angle Cylinder, RH	With bushings	1	88
AH169827	Piston, Unitized		2	3.0
AHC22108	Seal Kit, Bore	90 mm	2	0.2
AHC16683	Seal Kit, Rod	56 mm	2	0.2
AH150341	Bushing, Self Aligning		4	1.2
<b>JOHN DEERE 700H, 700J, 700K</b>				
AH216998	Tilt Cylinder	With bushings	1	56
AHC22109	Seal Kit, Bore	100 mm	1	0.1
AHC16954	Seal Kit, Rod	50 mm	1	0.1
AH150341	Bushing, Self Aligning		2	1.2
<b>SNAP RINGS FOR SELF ALIGNING BUSHINGS</b>				
40M5099	Snap Ring	Used with AT157173, AH150341 bushings		0.05
40M7090	Snap Ring	Used with AH155619 bushing		0.05

B16

2026 Parts Catalog

DOZER CYLINDERS			JOHN DEERE	
Part No.	Description	Notes	Qty.	Wt.
<b>JOHN DEERE 750J (PAT Dozer Only)</b>				
AH208632	Lift Cylinder	With bushings	2	108
AH149814	Seal Kit, Rod	56 mm	2	0.1
AH212102	Seal Kit, Bore	100 mm	2	0.2
R81971	Bushing, Rod End		2	1.6
R81968	Bushing, Tube End		2	0.8
<b>JOHN DEERE 750J, 750K (PAT Dozer Only)</b>				
AH217118	Angle Cylinder	With bushings	2	151
AH156466	Seal Kit, Rod	70 mm	2	0.2
AH212585	Seal Kit, Bore	110 mm	2	0.2
AT157174	Bushing, Rod & Tube End		4	4
<b>JOHN DEERE 750J, 750K (PAT Dozer Only)</b>				
AHC16692	Tilt Cylinder	With bushings	1	115
AH149815	Seal Kit, Rod	63 mm	1	0.1
AH149848	Seal Kit, Bore	125 mm	1	0.4
AT157174	Bushing, Rod & Tube End		2	4
<b>JOHN DEERE 850J, 850K (PAT Dozer Only)</b>				
AH208630	Lift Cylinder	With bushings	2	129
AH149815	Seal Kit, Rod	63 mm	2	0.1
AH212103	Seal Kit, Bore	115 mm	2	0.1
H227462	Bushing, Rod & Tube End		4	1.8
<b>JOHN DEERE 850J, 850K (PAT Dozer Only)</b>				
AH208628	Angle Cylinder	With bushings	2	194
AH156466	Seal Kit, Rod	70 mm	2	0.2
AH212103	Seal Kit, Bore	115 mm	2	0.1
AT157174	Bushing, Rod & Tube End		4	4
<b>JOHN DEERE 850J, 850K (PAT Dozer Only)</b>				
AHC16698	Tilt Cylinder	With bushings	1	118
AH149815	Seal Kit, Rod	63 mm	1	0.1
AH149848	Seal Kit, Bore	125 mm	1	0.4
AT157174	Bushing, Rod & Tube End		2	4
<b>SNAP RINGS FOR SELF ALIGNING BUSHINGS</b>				
40M1873	Snap Ring	Used with AT157174 bushing		0.05

B17

2026 Parts Catalog

## SKIDDER CYLINDERS

## JOHN DEERE

Part No.	Description	Notes	Qty.	Wt.
<b>JOHN DEERE 340D, 440C-D, 540D, 548D</b>				
RE14083	Blade Lift Cylinder		2	68
RE14088	Seal Kit, Rod	1 1/2"	2	0.2
RE16076	Seal Kit, Bore	3 1/2"	2	0.2
<b>JOHN DEERE 640, 640D, 648D</b>				
RE14085	Blade Lift Cylinder		2	80
RE30874	Seal Kit, Rod	1 3/4"	2	0.1
RE16118	Seal Kit, Bore	4"	2	0.1
<b>JOHN DEERE 540E, 540G, 548E, 548G (540G-III, 548G-III s/n -589479)</b>				
AH168541	Blade Lift Cylinder		2	76
AH149813	Seal Kit, Rod	45 mm	2	0.1
AH149842	Seal Kit, Bore	80 mm	2	0.1
T147990	Pin		2	3.5
AT133366	Bushing, Self Aligning		2	1
T148989	Pin, Blade Mount	46-1/8" long	1	37
AT128773	Bushing, Self Aligning		2	1.4
<b>JOHN DEERE 640E, 640G, 648E, 648G</b>				
AH168542	Blade Lift Cylinder		2	87
AH149813	Seal Kit, Rod	45 mm	2	0.1
AH212096	Seal Kit, Bore	90 mm	2	0.1
T147990	Pin		2	3.5
AT133366	Bushing, Self Aligning		2	1
AT128774	Bushing, Self Aligning		2	2.2
<b>JOHN DEERE 740E, 740G, 748E, 748G</b>				
AH168543	Blade Lift Cylinder	100M Bore	2	102
AH149814	Seal Kit, Rod	56 mm	2	0.1
AH212101	Seal Kit, Bore	100 mm	2	0.1
T147990	Pin		2	3.5
AT133366	Bushing, Self Aligning		2	1
AT128774	Bushing, Self Aligning		2	2.2
<b>JOHN DEERE 540E, 548E, 540G, 548G</b>				
AH150081	Steering Cylinder		2	70
AH149813	Seal Kit, Rod	45 mm	2	0.1
AH149842	Seal Kit, Bore	80 mm	2	0.1
T147990	Pin		2	3.5
<b>JOHN DEERE 640E, 648E, 640G, 648G</b>				
AH211214	Steering Cylinder		2	77
RE34085	Piston, Unitized		2	2.2
AHC13485	Seal Kit, Rod	40 mm	2	0.1
AH212092	Seal Kit, Bore	80 mm	2	0.1
T147990	Pin	PVE Cyl. w/ Unitized Piston Only	2	3.5
<b>JOHN DEERE 740E, 748E, 740G, 748G</b>				
AH148164	Steering Seal Kit, Rod	50 mm	2	0.1
AH212096	Steering Cylinder Seal Kit, Bore	90 mm	2	0.1
T147990	Pin		2	3.5

B18

2026 Parts Catalog

## EXCAVATOR CYLINDERS

## JOHN DEERE

Part No.	Description	Notes	Qty.	Wt.
<b>JOHN DEERE 690, 690A, 690B, 690C, 693B, 693C</b>				
RE21394	Boom Cylinder		2	250
RE15905	Seal Kit, Bore	5"	2	0.35
RE21395	Seal Kit, Rod	2 3/4"	2	0.35
<b>JOHN DEERE 690, 690A, 690B, 690C, 693B</b>				
RE21406	Dipper Cylinder		1	423
RE15907	Seal Kit, Bore	5 1/2"	1	0.35
RE21401	Seal Kit, Rod	3 1/4"	1	0.4
<b>JOHN DEERE 690B, 690C, 693B, 693C</b>				
RE21400	Bucket Cylinder		1	298
RE14102	Seal Kit, Bore	5 1/2"	1	0.35
RE21401	Seal Kit, Rod	3 1/4"	1	0.4

## MINI-EXCAVATOR CYLINDERS

## JOHN DEERE

Part No.	Description	Notes	Qty.	Wt.
<b>JOHN DEERE 50G, 50 P, 60G, 60 P, HITACHI ZAXIS 50U-5N, ZAXIS 60USB-5N</b>				
AH140072	Piston, Unitized		1	0.8

## DOZER CYLINDERS

## DRESSER

Part No.	Description	Notes	Qty.	Wt.
<b>DRESSER TD8C, TD8E, TD8G</b>				
620630C92	Angle Cylinder		2	71
1543261C1	Seal Kit		2	0.5

## BACKHOE CYLINDERS

## CAT

Part No.	Description	Notes	Qty.	Wt.
<b>CAT 416 (5PC), 428 (6TC), 438 (3DJ)</b>				
9T5219	Boom Cylinder		2	110
645355	Seal Kit		2	0.1
<b>CAT 416B, 416C, 416D, 424D (BGP, BKR), 428D, 428C, 438B</b>				
6E0274	Boom Cylinder		1	185
703391	Seal Kit		1	0.1
<b>CAT 416B, 416C, 428B, 428C (Standard Dipper Arm)</b>				
6E0275	Bucket Cylinder		1	135
660381	Seal Kit		1	0.1
<b>CAT 416B, 416C, 428B, 428C, 438B, 438C (1RJ, 1TR, 2DR, 9KN) (Extendable Dipper Arm)</b>				
6E1964	Bucket Cylinder		1	135
660381	Seal Kit		1	0.1
<b>CAT 416B, 416C, 426B, 436B</b>				
116-4365	Stabilizer Cylinder R/H		1	98
116-4366	Stabilizer Cylinder L/H		1	98
116-4369	Rod, 2 1/8"		2	34
9T6388	Gland		2	8
130-5923	Seal Kit		2	0.1

B19

2026 Parts Catalog

**BACKHOE CYLINDERS** **CAT**

Part No.	Description	Notes	Qty.	Wt.
<b>CAT 416C, 420D, 428C, 428D (BLL, BMT, BNB, BNS, BLD), 438C, 438D (BRG, BRY)</b>				
152-9148	Boom Cylinder		1	192
703397	Seal Kit		1	0.1
<b>CAT 416B, 416C, 416D, 420D, 428B, 428C</b>				
109-7020	Dipper Cylinder		1	156
134-2659	Rod, 2 1/2"		1	53
186-4362	Seal Kit		1	1
<b>CAT 416C (1XR, 5YN), 416D (BGJ), 420D (FDP, BLN, BKC, BMC), 428C, 430D, 432D, 438C, 438D, 442D</b>				
191-7839	Bucket Cylinder		1	167
231-5021	Seal Kit		1	0.2
<b>CAT 416D, 420D, 430D</b>				
180-7485	Stabilizer Cylinder R/H		1	97
180-7484	Stabilizer Cylinder L/H		1	97
130-5923	Seal Kit		2	0.1
<b>CAT 420D (FDP, BKC), 428D (BLL, BNB), 430D (BNK)</b>				
230-0980	Loader Lift Cylinder		2	93
243-2276	Seal Kit		2	0.4
<b>CAT 416E, 420E, 430E</b>				
262-7050	Stabilizer Cylinder R/H (side specific)	R/H - In Seat Facing Front Loader	1	99
262-7049	Stabilizer Cylinder L/H (side specific)	L/H - In Seat Facing Front Loader	1	99
233-2623	Seal Kit		2	0.4
<b>CAT 416F, 420F, 430F</b>				
291-2682	Stabilizer Cylinder R/H (side specific)	R/H - In Seat Facing Front Loader	1	99
291-2681	Stabilizer Cylinder L/H (side specific)	L/H - In Seat Facing Front Loader	1	99
233-2623	Seal Kit		2	0.4

**ARTICULATED TRUCK CYLINDERS** **CAT**

Part No.	Description	Notes	Qty.	Wt.
<b>CAT 735*, 735B, 735C, 740*, 740B, 745, 745C</b>				
223-1335	Steering Cylinder		2	115
217-9894	Seal Kit		2	0.2

\*(Model 735 s/n B1N & s/n AWR429-up) \*(Model 740 s/n B1P & s/n AXM823-up)

**B20**

2026 Parts Catalog

**DOZER CYLINDERS** **CAT**

Part No.	Description	Notes	Qty.	Wt.
<b>CAT D3B, D3C, D4B, D4C, D5C Tilt Cylinder</b>				
143-7219	Tilt Cylinder w/out bushings		1	50
132-7058	Seal Kit		1	0.2
4D0298	Bushing	Tube & Rod End	2	0.9
1L4775	Snap Ring		4	0.05
<b>CAT D3B, D3C, D4B, D4C, D5C</b>				
136-3156	Angle Cylinder w/out bushings		2	66
132-7058	Seal Kit		2	0.2
6V8105	Bushing	Rod End	2	1.5
2H5549	Snap Ring		4	0.05
4D0298	Bushing	Tube End	2	0.9
1L4775	Snap Ring		4	0.05
<b>CAT D3G, D4G (s/n: FDC1-520, CFN1-1071, HYD1-UP, TLX1-UP), D5G</b>				
183-3721	Lift Cylinder		2	67
246-5917	Seal Kit		2	0.2
9J9812	Bushing		4	1.5
2H5549	Snap Ring		8	0.05
<b>CAT D3G, D4G, D5G</b>				
216-7388	Angle Cylinder w/ bushings*		2	58
		*s/n: BYR1-1323, JMH1-2051, HYD1-1718, TLX1-858, FDC1-520, CFN1-1071, WGB1-2700, RKG1-2121, FDH1141-UP, FDW651-UP		
259-0459	Angle Cylinder w/ bushings*		2	58
		*JMH2052-up, BYR1324-up, HYD1719-up, TLX859-up, WGB2701-up, RKG2122-up		
283-3454	Seal Kit		2	0.2
9J9812	Bushing, Rod End		2	1.5
2H5549	Snap Ring		4	0.05
4D0298	Bushing, Tube End		2	0.9
1L4775	Snap Ring		4	0.1
<b>CAT D3G, D4G (s/n: FDC1-520, CFN1-1071, HYD1-UP, TLX1-UP), D5G</b>				
183-8459	Tilt Cylinder w/ bushings		1	53
246-5917	Seal Kit		1	0.2
4D0298	Bushing		2	0.9
1L4775	Snap Ring	*PVE cylinder uses snap rings, also accepts OEM style retainer	4	0.1
<b>CAT D3K, D3K2, D4K (RRR671-, MMM1874-), D4K2 (KRR, KMM), D5K (JLF, YYY2001-, WWW1816-), D5K2 (TRF, KWW, KY)</b>				
364-9326	Lift Cylinder w/ bushings		2	68
393-3608	Seal Kit		2	0.3
263-3181	Bushing		4	0.8
<b>CAT D3K (LLL1340-, FFF874-), D3K2 (KLL, KFF), D4K (RRR671-, MMM874-), D4K2 (KRR, KMM), D5K (YYY2001-, WWW1816-), D5K2 (KYY, KWW)</b>				
364-9335	Angle Cylinder w/ bushings		2	57
448-8804	Seal Kit		2	0.3
9J9812	Bushing, Rod End		2	1.5
2H5549	Snap Ring		2	0.05
4D0298	Bushing, Tube End		2	0.9
1L4775	Snap Ring		2	0.1

**B21**

2026 Parts Catalog

DOZER CYLINDERS				CAT
Part No.	Description	Notes	Qty.	Wt.
<b>CAT D3K</b> (JTD, LLL1340-, FFF874-), <b>D3K2, D4K</b> (RRR671-, MMM874-), <b>D4K2</b> (KMM, KRR), <b>D5K</b> (JLF, YYY2001-, WWW1816-), <b>D5K2</b> (KYY, TRF, KWW)				
364-9346	Tilt Cylinder w/ bushings		1	51
393-3608	Seal Kit		1	0.3
4D0298	Bushing, Rod End		1	0.9
1L4775	Snap Ring		1	0.1
9J9812	Bushing, Tube End		1	1.5
2H5549	Snap Ring		1	0.05
<b>CAT D6K</b> (DHA, FBH, HMG), <b>D6K2</b> (RST, MXK, RPR, WMR)				
379-3505	Lift Cylinder w/ bushings		2	99
392-5201	Seal Kit		2	0.2
4D4431	Bushing	Tube & Rod End	4	1.4
2H5549	Snap Ring		8	0.05
<b>CAT D6K</b> (DHA, NCF, FBH, HMG)				
269-2728	Angle Cylinder w/ bushings		2	82
393-3609	Seal Kit		2	0.2
4D4431	Bushing	Tube & Rod End	4	1.4
2H5549	Snap Ring		8	0.05
<b>CAT D6K</b> (6S6, MP7, ZLJ), <b>D6K2, D4 Next Gen</b>				
379-3504	Angle Cylinder w/ bushings		2	87
393-3609	Seal Kit		2	0.2
4D4431	Bushing, Tube End		2	1.4
2H5549	Snap Ring		4	0.05
237-4860	Bushing, Rod End		2	4.0
1J6472	Snap Ring		2	0.05
<b>CAT D6K</b> (6S6, MP7, ZLJ), <b>D6K2, D4 Next Gen</b>				
379-3503	Tilt Cylinder w/ bushings		1	105
SK100113	Seal Kit		1	0.2
7J1309	Bushing	Tube & Rod End	2	3.7
1S3311	Snap Ring		2	0.1
<b>CAT D4H, D5M</b>				
152-6482	Angle Cylinder w/out bushings		2	78
<b>To use this cylinder on D4H machines, also order (2) 4D4431 bushings &amp; (4) 2H5549 snap rings</b>				
185-7020	Seal Kit		2	0.2
4D4431	Bushing	Tube & Rod End	4	1.4
2H5549	Snap Ring		8	0.05
<b>CAT D5M, D5N</b>				
167-7551	Lift Cylinder		2	94.5
393-3606	Seal Kit		2	0.4
129-3528	Bushing	Tube & Rod End	4	1
<b>CAT D6M, D6N</b> (s/n: ALH, ALR), <b>527 TRACK SKIDDER</b> (s/n: 3DS, BDW, JSR, PTR)				
152-6485	Angle Cylinder w/out bushings		2	96
111-3302	Seal Kit		2	0.2
4D4431	Bushing	Tube & Rod End	4	1.4
2H5549	Snap Ring		8	0.05
<b>BACKHOE CYLINDERS</b>				<b>JCB</b>
<b>JCB 214, 214E, 215, 215S, 3CX, 3CX14, 3CX15, 4CX, 4CX15</b>				
557-60073	Stabilizer Cylinder		2	91
PV557-60073	Seal Kit	For PVE and OEM cylinders	2	0.5

B22

2026 Parts Catalog

DOZER CYLINDERS, HYDRAULIC PUMPS & COUPLERS					
Part No.	Description	Notes	Qty.	Wt.	
<b>KOMATSU D61EX-23, D61EXi-23, D61EX-24, D61EXi-24, D61PX-23, D61Xi-23, D61PX-24, D61PXi-24</b>					
707-E0-00592	Angle Cylinder	RH Only for Xi Models	2	140	
707-99-36690	Seal Kit		2	0.6	
707-52-90401	Wear Ring	NSS, included in seal kit	2		
707-46-05040	Bushing, Self Aligning	Tube End	2	8.0	
07137-05008	Bushing, Self Aligning	Rod End	2	8.0	
04065-01104	Snap Ring		4	0.05	
707-91-91111	Piston		2	6.25	
707-E0-00610	Lift Cylinder, LH		1	102	
707-E0-00620	Lift Cylinder, RH		1	102	
707-99-34250	Seal Kit		2	0.4	
707-52-90301	Wear Ring	NSS, included in seal kit	2		
07145-00060	Pin Seal		4	0.1	
07143-10606	Bushing	Tube End	2	1.6	
07144-10606	Bushing	Rod End	2	1.6	
<b>CASE BACKHOES</b>					
D48950	Hydraulic Pump	480B, 480C, 580B, 580C	1	16	
D73079	Hydraulic Pump	480C, 480D, 480E	1	15	
D93204	Hydraulic Pump	580D, 580SD	1	24	
D126580	Hydraulic Pump	580D, 580SD, 580SE	1	24	
D134590	Hydraulic Pump	580F, 580K	1	67	
D146608	Hydraulic Pump	580K	1	71	
D149283	Hydraulic Pump	580K, 580SK	1	71	
130258A1	Hydraulic Pump	580L 15 teeth, use 257953A1 pump & 257948A1 coupler	1	50	
257953A1	Hydraulic Pump	580L, 580L Series 2, 580M	1	50	
121124A1	Hydraulic Pump	580SL	1	61	
257954A1	Hydraulic Pump	580SL, 580SL Series 2, 580SM	17 spline	1	64
87433897	Hydraulic Pump	580SL, 580SL Series 2, 580SM	14 spline	1	66
103621A1	Hydraulic Pump	590 Turbo		1	63
D149268	Hydraulic Pump	(subs to 103621A1)		1	63
135405A2	Hydraulic Pump	590SL		1	61
257955A1	Hydraulic Pump	590SL, 590SL Series 2, 590SM		1	66
87435827	Hydraulic Pump	(subs to 257955A1)		1	66
L55247	Hydraulic Pump	680E, 680G		1	63
D127917	Hydraulic Pump	680K, 780C, 780D		1	15
<b>CASE FORKLIFTS</b>					
D73079	Hydraulic Pump	584C, 584D, 584E, 585C, 585D, 585E, 586C, 586D, 586E	1	15	
D41390	Hydraulic Pump	530, 580, 584, 584C, 584D, 585, 585C, 585D, 586, 586C, 586D	1	16	
D126580	Hydraulic Pump	584D, 585D, 586D	1	24	
<b>CASE WHEEL LOADERS</b>					
L77150	Hydraulic Pump	W11, W11B	1	29	
L110544	Hydraulic Pump	W14	1	68	
<b>CASE COUPLERS</b>					
D31108	Coupler	13 spline	1	0.8	
D90883	Coupler	13 spline	1	1.1	
D140524	Coupler	13 spline	1	1.1	
257948A1	Coupler	17 Spline	1	2.8	
87437920	Coupler	14 Spline	1	4.2	

B23

2026 Parts Catalog

**HYDRAULIC PUMPS**

Part No.	Description	Notes	Wt.
<b>CASE DOZERS</b>			
D41390	Hydraulic Pump	310G, 450, 450B, 455B, 450C, 455C, 550	16
D53690	Hydraulic Pump	310, 350, 450, 450B, 450C, 455C	16
D146716	Hydraulic Pump	<i>subs to D53690</i>	16
186352A1	Hydraulic Pump	650, 650G, 650H, 750H, 850E, 850G, 850H, 855E	16
R57348	Hydraulic Pump	<i>subs to 186352A1</i>	16
360677A1	Hydraulic Pump	550H Dozer	21
R37951	Hydraulic Pump	850, 850B, 850C, 850D, 855C, 855D	19
R56559	Hydraulic Pump	850D, 855D	19
396801A2	Hydraulic Pump	650K, 650L, 750K, 750L, 750M, 850K, 850L, 850M - models w/o PTO	21
R42142	Hydraulic Pump	1150C, 1450, 1450B, Dozer	53
R58775	Hydraulic Pump	1150G, 1150H, 1150K Series 3 - models w/o PTO	45
87604362	Hydraulic Pump	<i>subs to R58775</i>	
R56572	Hydraulic Pump	1150E, 1155E	67

<b>JOHN DEERE DOZERS</b>			
AT181864	Hydraulic Pump	350, 350B, 350C, 350D, 450, 450B, 450C to s/n 380045	11
AT71451	Hydraulic Pump	450C after s/n 380046, 450D	12
AT81402	Hydraulic Pump	450E, Standard & wide track	32
AT81404	Hydraulic Pump	450E, Standard & wide track with backhoe	34
AT38800	Hydraulic Pump	Loader, 450, 450B, 450C, 455D	21
AT38801	Hydraulic Pump	Loader, 350, 350B, 350C, 350D, 355D, 450, 450B, 450C, 450D	14
AT74412	Hydraulic Pump	Loader, 555, 555A, 555B, 28 GPM, Pressure side o-ring 1 1/4" ID	21
AT41452	Hydraulic Pump	Loader, 555, 555A, 555B, 28 GPM, Pressure side o-ring 1" ID	15
AT159745	Hydraulic Pump	450G, 550G, 650G, s/n 789182- with torque converter	38
AT224355	Hydraulic Pump	450H, 450J, 550H, 550J, 650H, 650J	40
AT209862	Hydraulic Pump	(subs to AT224355)	
AT224356	Hydraulic Pump, Standard	700H, 700J, 700K	42

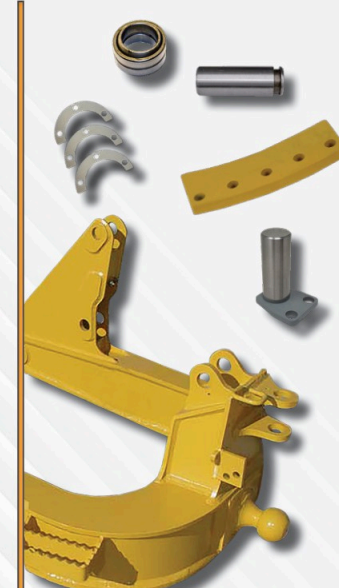
<b>JOHN DEERE BACKHOES</b>			
AT164404	Hydraulic Pump	310D s/n 802200-, 315D s/n 850000- (Comm. Intertech Type)	54
AT179792	Hydraulic Pump	310E, 310G, 310J, 310K (not for EP model), 710D s/n 872329-	41

<b>DRESSER DOZERS</b>		<b>(to s/n 9500 on E models)</b>	
623084C92	Hydraulic Pump	TD7, TD7C, TD7E, TD8, TD8C, TD8E, 100, 100C, 100E, 125, 125C, 125E	15

<b>CAT DOZERS</b>			
137-1296	Hydraulic Pump	D3G, D4G, D5G	17

**B24**

2026 Parts Catalog



[www.paintvalleyequipment.com](http://www.paintvalleyequipment.com)

Phone: 877-774-0081

**SECTION C**  
**DOZER BLADE PARTS,**  
**CRAWLER LOADER PARTS**

**Blade & C - Frame Parts**

**C - Frames**

**Crawler Loader Parts**

Section C

## SECTION C

### DOZER BLADE & C-FRAME PARTS, CRAWLER LOADER PARTS

	Page
<b>CASE DOZER BLADE PARTS</b>	
650G, 650H, 750H, 850G, 850H	C2
650K, 650L, 750K, 750L, 750M, 850K, 850L, 850M	C3
450, 450B, 450C	C4, C5
550, 550E, 550G	C4, C5
850B, 850C, 850D, 850E	C6, C7
1150B, 1150C, 1150D, 1150E	C8, C9
1450, 1550	C8, C9
<b>JOHN DEERE DOZER BLADE PARTS</b>	
450, 450B, 450C, 450D, 450E, 550, 550B	C10, C11
450G, 550G, 650G	C12, C13
450H, 550H, 650H	C14, C15
450J, 550J, 650J	C14, C15
450K, 450 P, 550K, 550 P, 650K, 650 P	C16, C17
700H, 700J	C18, C19
700K, 700L	C20, C21
750J, 750K, 750L	C22, C23
850J, 850K, 850L	C24, C25
<b>DRESSER DOZER BLADE PARTS</b>	
TD7C, TD7E, TD7G, TD8C, TD8E, TD8G	C26, C27
<b>CAT DOZER BLADE PARTS</b>	
D3C, D4C, D5C, D4H, D5H, D5M, D6M, D6N	C28, C29
D3G, D3K, D4G, D4K, D5G, D5K	C28, C29
D6K, D6K2, D4 Next Gen	C30, C31
<b>KOMATSU DOZER BLADE PARTS</b>	
D61	C32, C33

**Section C**

2026 Parts Catalog

At Paint Valley Equipment, we know how essential blade pivot kits are to keeping your equipment performing at its best. We're pleased to announce the addition of eleven new Blade Pivot Kits to our online catalog—engineered for durability, precision fit, and dependable operation across multiple models.

**New Blade Pivot Kits:**



**PV5000**  
Deere 450H, 450J, 450K, 450P, 550H, 550J, 550K, 550P, 650H, 650J, 650K, 650P Dozer



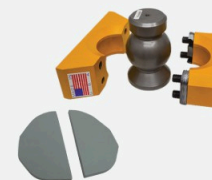
**PV5001**  
Deere 700K, 700L, 700P Dozer



**PV5002**  
Deere 750L, 750P (Pat Blade Only) Dozer



**PV5003**  
Deere 850L, 850P, 850X Pat Dozer



**PV5004**  
Deere 450G, 550G, 650G Dozer



**PV5005**  
Deere 450H, 450J, 550H, 550J, 650H, 650J Dozer



**PV5006**  
Deere 700H, 700J Dozer



**PV5007**  
Deere 750J, 750K Pat Dozer



**PV5008**  
Deere 850J, 850K PAT Dozer



**PV5009**  
Cat D3G, D4G, D5G, D3K, D3K2, D4K, D4K2, D5K, D5K2 Dozer



**PV5010**  
Komatsu D61EX-23, D61EXi-23, D61PX-23, D61PXi-23, D61EX-24, D61EXi-24, D61PX-24, D61PXi-24 Dozer

**DOZER & LOADER PARTS**

**CASE & JOHN DEERE**

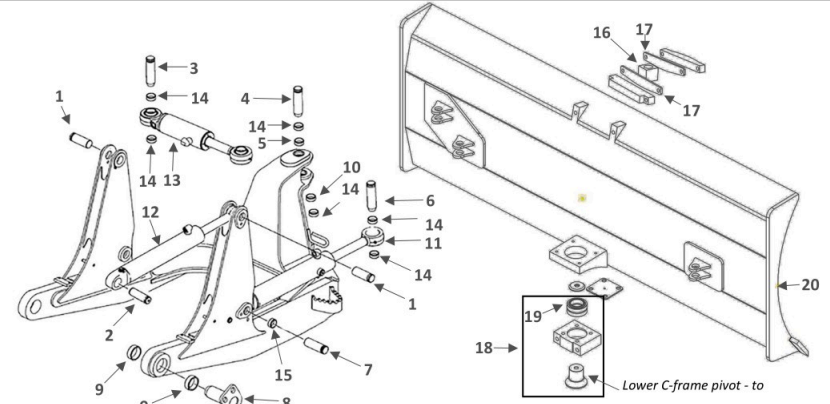
Part No.	Description	Notes	Qty.	Wt.
<b>CASE 450, 450B, 455B, 455C</b>				
D34654	Pin	Link to bucket	450, 450B, 455B	2 2.1
D34655	Pin	Loader frame to bucket		2 3.7
D33047	Bushing	Bucket, upper	455C	4 0.3
D32865	Bushing	Bucket, upper	450, 450B, 455B	4 0.2
D33678	Bushing	Bucket, lower		4 1
D30929	Bushing	Frame at tilt cylinder	450, 450B, 455B	2 0.4
D30929	Bushing	Bucket link at bucket	450, 450B, 455B	2 0.4
D34354	Bushing	Bucket link, both ends	455C	4 0.2
D31140	Bushing	Bucket link at dump link	450, 450B, 455B	4 0.3
D34354	Bushing	Frame at lift cylinder		2 0.2
D30929	Bushing	Frame at dump link	450B, 455B	2 0.4
D30931	Bushing	Frame at dump link	450	2 0.6
D31142	Bushing	Frame at bucket		2 0.8
D33047	Bushing	Lift cylinder, rod		4 0.3
D32865	Bushing	Tilt cylinder, rod	450, 450B, 455B	4 0.2
D33047	Bushing	Tilt cylinder, rod	455C	4 0.3
G103411	Bushing	Tilt cylinder, trunnion	450B, 455B	4 0.2
<b>CASE 850B, 850C, 855C</b>				
R48920	Pin	Bucket mounting		4 6.3
D33659	Bushing	Frame at lift cylinder		4 0.4
D37723	Bushing	Lift & tilt cylinder bushings		16 0.3
D31142	Bushing	Link at bucket		2 0.8
D33659	Bushing	Leveling link, short & Link at tilt cylinder		8 0.4
D33023	Bushing	Leveling link, long & Frame at bucket		4 1
D31142	Bushing	Frame at dump link	850B	4 0.8
D33024	Bushing	Frame at dump link	850C, 855C	4 0.5
<b>CASE 1150, 1150B, 1150C, 1155D, 1155E</b>				
R27061	Pin	Bucket	1150B, 1150C, 1155D, 1155E	4 7.2
R13427	Pin	Bucket	1150	4 6
D33023	Bushing	Bucket	1150	8 1
D31142	Bushing	Tilt link at bucket	1150, 1150B	2 0.8
D33678	Bushing	Tilt link at lever	1150	2 1
D31142	Bushing	Tilt link, both ends	1150B, 1150C, 1155D, 1155E	4 0.8
D31142	Bushing	Lift frame at bucket	1150	4 0.8
R27011	Bushing	Lift frame at main frame	1150B, 1150C, 1155E	2 1
<b>JOHN DEERE 450, 450B, 450C, 455D, 455E, 555, 555B</b>				
T32679	Link			2 20
T32682	Link	To Bucket		2 35
AT86423	Pin	Bucket Upper		2 4.7
T32601	Pin	Bucket Upper		2 4.7
AU14012	Pin	Bucket Lower		2 4.7
T32677	Pin	Loader Linkage		2 5

C1

2026 Parts Catalog

**BLADE PINS & BUSHINGS**

**CASE**



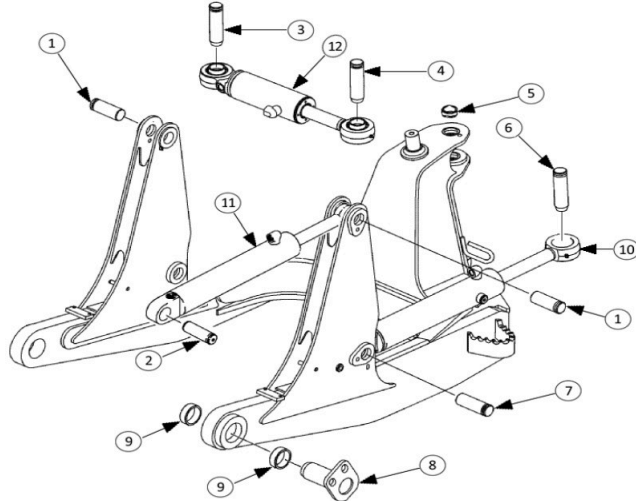
Ref.	Part No.	Description	Notes	Qty.	Wt.
<b>CASE 650G, 650H, 750H, 850G, 850H</b>					
1	181427A1	Pin	Lift cylinder, rod	650G, 650H, 750H, 850H	2 3.1
1	119097A1	Pin	Lift cylinder, rod	850G	2 3.4
2	119097A1	Pin	Lift cylinder, tube		2 3.4
3	119101A1	Pin	Tilt cylinder, tube		1 3.8
4	119106A1	Pin	Tilt cylinder, rod		1 6.6
5	D43940	Bushing			2 0.5
6	119101A1	Pin	Angle Cylinder, rod		2 3.8
7	119097A1	Pin	Angle Cylinder, tube	650G, 750H, 850G, 850H	2 3.4
7	386438A1	Pin	Angle Cylinder, tube	650H	2 3.1
8	R53254	Pin	C-Frame mount		2 11
9	D33635	Bushing			4 0.4
	95-81156	Washer	C-Frame Pin		AR 0.2
10	D40243	Bushing			2 0.4
14	103-16175	Snap Ring			2 0.05
11	190595A2	Angle Cylinder			2 70
	613524C91	Bushing, self aligning	rod end & tube end		4 1.4
	103-21281	Snap Ring	rod end & tube end		8 0.05
12	116211A2	Lift Cylinder			2 70
	D40243	Bushing	rod end & tube end		8 0.4
13	117511A1	Tilt Cylinder			1 52
	613524C91	Bushing, self aligning			2 1.4
	103-21281	Snap Ring			4 0.05
14	121167A1	Bushing, spacer			8 0.2
15	121166A1	Bushing, spacer			4 0.1
16	346626A1	Slider Block	Also fits 550H		1 4
17	117836A1	Wear Plate	Also fits 550H		2 3
18	188904A1	Trunnion Block Kit	Also Fits 550H		1 28.5
19	118487A1	Self Aligning Bearing			1 5.2
20	PV507	Blade Face	104" x 31" (2 pc.)		1 230

C2

2026 Parts Catalog

**BLADE PINS & BUSHINGS**

CASE



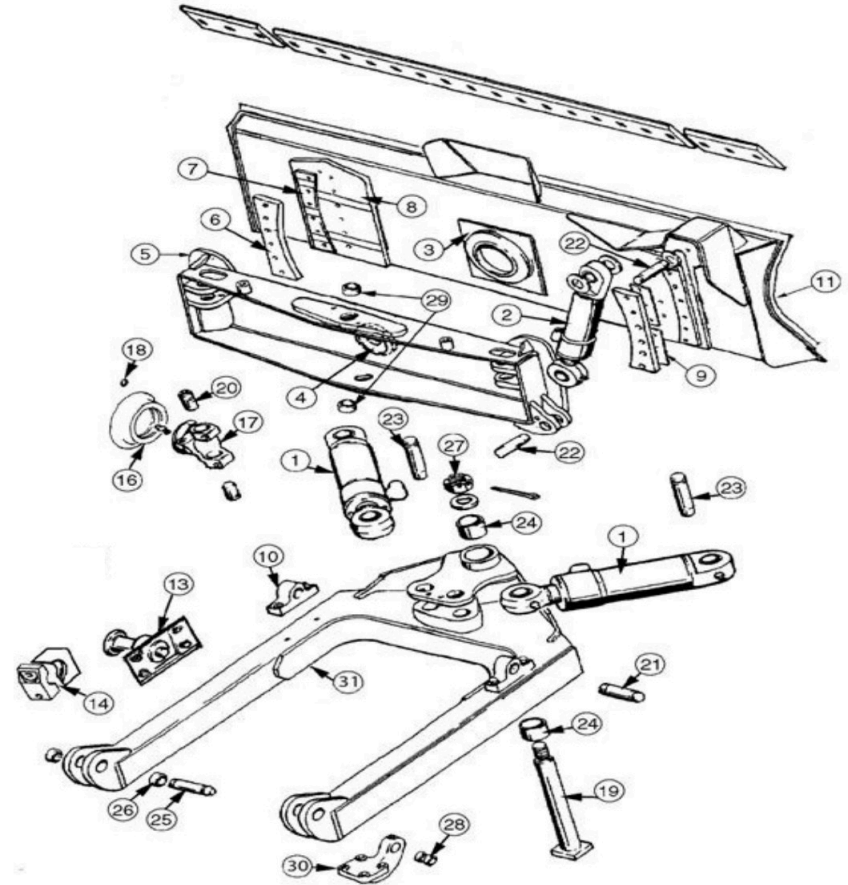
Ref.	Part No.	Description	Notes	Qty.	Wt.
<b>CASE 650K, 650L, 750K, 750L, 850K, 850L</b>					
1	345410A1	Pin	Lift cylinder, rod	2	3.1
2	405607A1	Pin	Lift cylinder, tube	2	3.4
3	435157A1	Pin	Tilt cylinder, tube	1	3.8
4	435157A1	Pin	Tilt cylinder, rod	1	3.8
5	D43940	Bushing		2	0.5
6	435157A1	Pin	Angle Cylinder, rod	2	3.8
7	446456A1	Pin	Angle Cylinder, tube	2	3.1
8	405608A1	Pin	C-Frame mount	2	11
9	D33635	Bushing		4	0.4
	495-81283	Washer	C-Frame Pin	6	0.2
10	412359A1	Angle Cylinder		2	70
	407538A1	Bushing, self aligning	Rod End	2	1.8
	407539A1	Bushing, self aligning	Tube End	2	1.6
	103-21281	Snap Ring	Rod End & Tube End	8	0.05
11	417854A1	Lift Cylinder	Not Available	2	
	D40243	Bushing	Rod End & Tube End	8	0.4
12	412357A1	Tilt Cylinder	Not for 650L	1	53
	407538A1	Bushing, self aligning	Rod End & Tube End	2	1.8
	103-21281	Snap Ring	Rod End & Tube End	4	0.05
<b>CASE 750M, 850M</b>					
1	345410A1	Pin	Lift cylinder, rod	2	3.1
3	435157A1	Pin	Tilt cylinder, tube	1	3.8
4	435157A1	Pin	Tilt cylinder, rod	1	3.8
	407538A1	Bushing, self aligning	Rod End	2	1.8
	407539A1	Bushing, self aligning	Tube End	2	1.6
	103-21281	Snap Ring	Rod End & Tube End	4	0.05

C3

2026 Parts Catalog

**DOZER BLADE PARTS**

CASE



C4

2026 Parts Catalog

**DOZER BLADE PARTS**

**CASE**

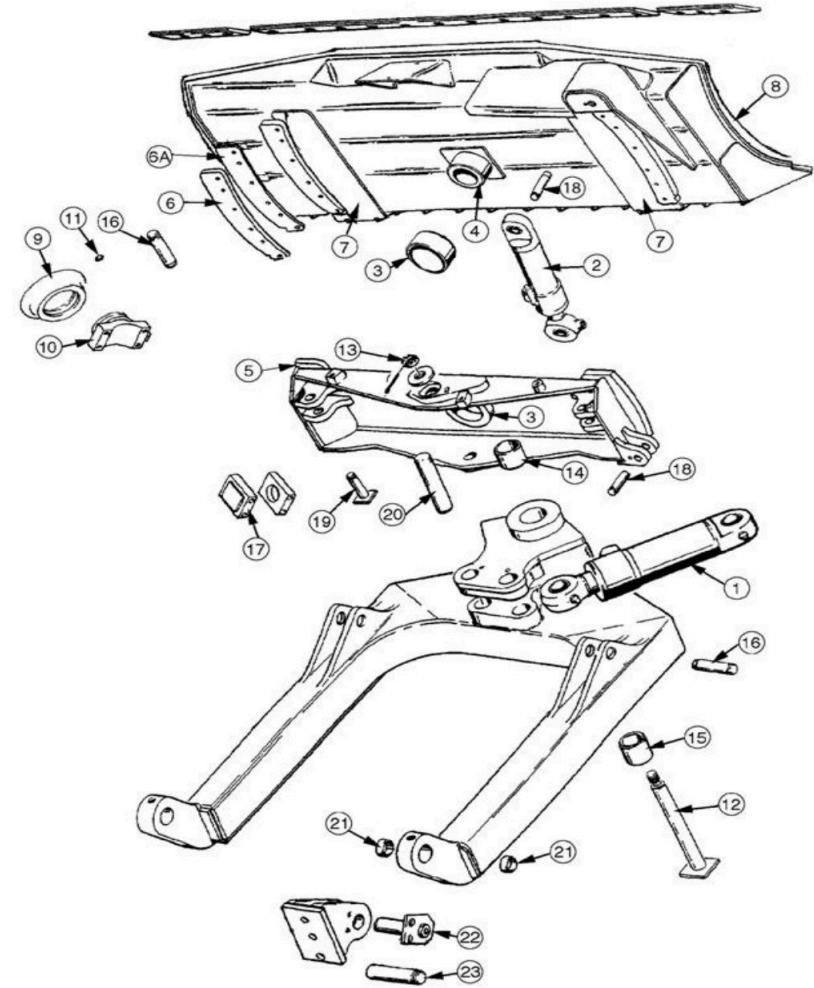
Ref.	Part No.	Description	Notes	Qty.	Wt.
<b>CASE 450, 450B, 450C, 550, 550E, 550G</b>					
1	140146A1	Angle Cylinder		2	66
<b>CASE 450, 450B, 450C, 550, 550E, 550G</b>					
2	G101228	Tilt Cylinder	450, 450B, 450C, 550	1	58
2	1542717C1	Tilt Cylinder	550E, 550G	1	39
<b>CASE 450, 450B, 450C, 550, 550E, 550G</b>					
3	D34855	Swivel Ring		1	10
4	D34869	Swivel Plate		1	6
5	R58793	Rub Plate		2	20
6	127980A1	Slide Plate		2	11
	61-46224	Socket Head Bolt	450, 450B, 450C, 550, 550E	4	1
7	R58808	Threaded Anchor		2	6
8	D47766	Backer Plate	450, 450B, 450C, 550, 550E	2	23
9	D47911	Shim		AR	1
10	D46466	Bracket, Lift Cylinder		2	4.1
11	PV512	Blade Face	90" x 31" (1 pc.) 450, 450B, 450C, 550, 550E	1	145
11	PV507	Blade Face	104" x 31" (2 pc.) 450, 450B, 450C, 550, 550E	1	230
13	D34793	Trunnion	450	2	14
	R27967	Spacer	450	2	8
14	R32490	Cap Assembly	450	2	8.8
16	D31317	Race, Lift Cylinder Trunnion		2	8
17	R47082	Lift Cylinder Trunnion		2	12
18	211-1024	Ball		38	1
19	D34789	Pin	Main Center	1	15.2
20	D24508	Pin	Lift Cylinder On Nose Piece	4	0.6
	30634	Bushing	Lift Cylinder On Nose Piece	4	0.1
21	D46467	Pin	Lift Cylinder (Dozer Models)	2	1.3
22	D34796	Pin	Tilt Cylinder	2	2
23	D34795	Pin	Angle Cylinder	4	2.5
23	D34795	Pin	Angle Cylinder to C-frame (550E, 550G)	2	2.5
23	D44881	Pin	Angle Cyl. to leveling beam (550E, 550G)	2	2.7
	D32865	Bushing	140146A1 Angle Cylinder	8	0.2
	D32865	Bushing	G101228 Tilt Cylinder	4	0.2
	D30930	Bushing	1542717C1 Tilt Cylinder	4	0.2
24	D33023	Bushing	Center U Frame	2	1
25	R50774	Pin	Rear C-Frame	2	2.1
26	D32919	Bushing	Blade Mount	4	0.2
27	25-1224	Slotted Nut	Center Pin	1	0.8
28	D30930	Bushing	Included in Mounting Brackets	4	0.2
29	D31142	Bushing	Cross Frame	2	0.8
30	R47535	Bracket	450C	2	25
30	R55861	Bracket	450C LT, 550, 550E, 550G	2	33
31	241962A1	C-Frame	450B, 450C, 550, 550E, 550G	1	481

C5

2026 Parts Catalog

**DOZER BLADE PARTS**

**CASE**



C6

2026 Parts Catalog

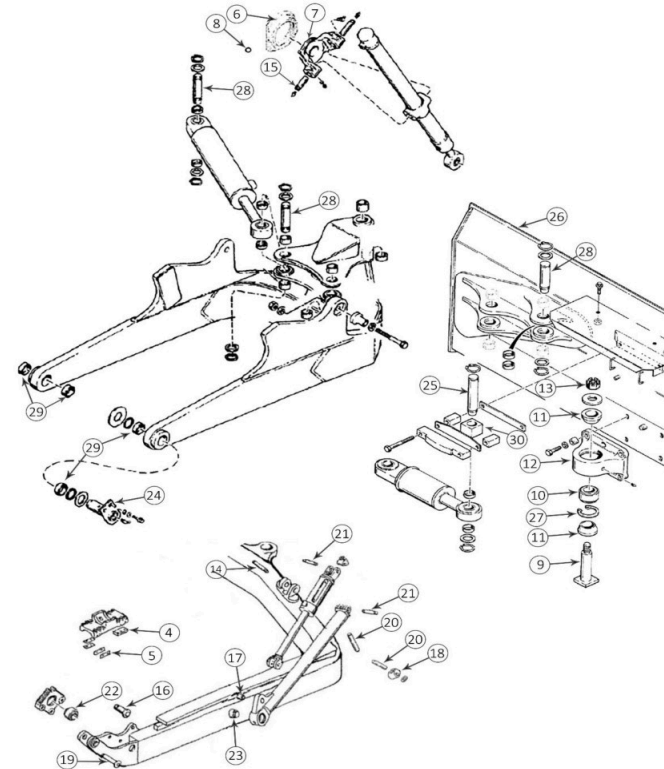
**DOZER BLADE PARTS**

**CASE**

Ref. Part No.	Description	Notes	Qty.	Wt.
<b>CASE 850B, 850C, 850D, 850E</b>				
1	1542644C1	Angle Cylinder	2	85
2	G109485	Tilt Cylinder	1	65
3	100195A1	Swivel Ring	1	20
4	R44319	Swivel Ring	1	16
5	100196A1	Rub Plate	2	25
6	128865A1	Wear Plate	2	25
6A	R31647	Shim	4	2
7	100256A1	Rub Plate L/H	1	18
7	100255A1	Rub Plate R/H	1	18
8	PV502	Blade Face	1	234
9	R48191	Race	2	20
10	R49038	Lift Cylinder Trunnion	2	9
11	211-1024	Ball	38	1
12	R31968	Pin	1	28
13	25-1224	Slotted Nut	1	0.8
14	R31914	Bushing	1	1.4
15	R27011	Bushing	1	1
16	D51045	Pin	2	2.1
	D32919	Bushing	4	0.2
17	R48604	Plate	4	2
18	D34796	Pin	2	2
18	R50191	Pin	2	2
	D29325	Bushing	4	0.4
	D32865	Bushing	4	0.2
19	R31965	Pin	2	4.2
19	R56417	Pin	2	3.9
20	R31966	Pin	2	5
	D34340	Bushing	8	0.3
21	D33678	Bushing	4	1
22	R39700	Pin	2	6.8
23	R45977	Pin	2	4.7
	D40091	Bushing	2	0.8
	D33024	Bushing	2	0.5

**DOZER BLADE PARTS**

**CASE**



Ref. Part No.	Description	Notes	Qty.	Wt.
<b>CASE 1150B, 1150C, 1150D, 1150E</b>				
4	R30999	Threaded Wear Plate	8	2
5	R30874	Strip	16	1
7	R54810	Lift Cylinder Trunion	2	25
8	211-1024	Ball	50	1
9	R26672	Pin	1	15
9	R45099	Pin	1	18
10	R26680	Bushing, self aligning	1	4
27	A55435	Snap Ring	1	1
10	R37021	Bushing	1	6
10	R41800	Bushing	1	5
27	R32220	Snap Ring	1	1

**C7**

2026 Parts Catalog

**C8**

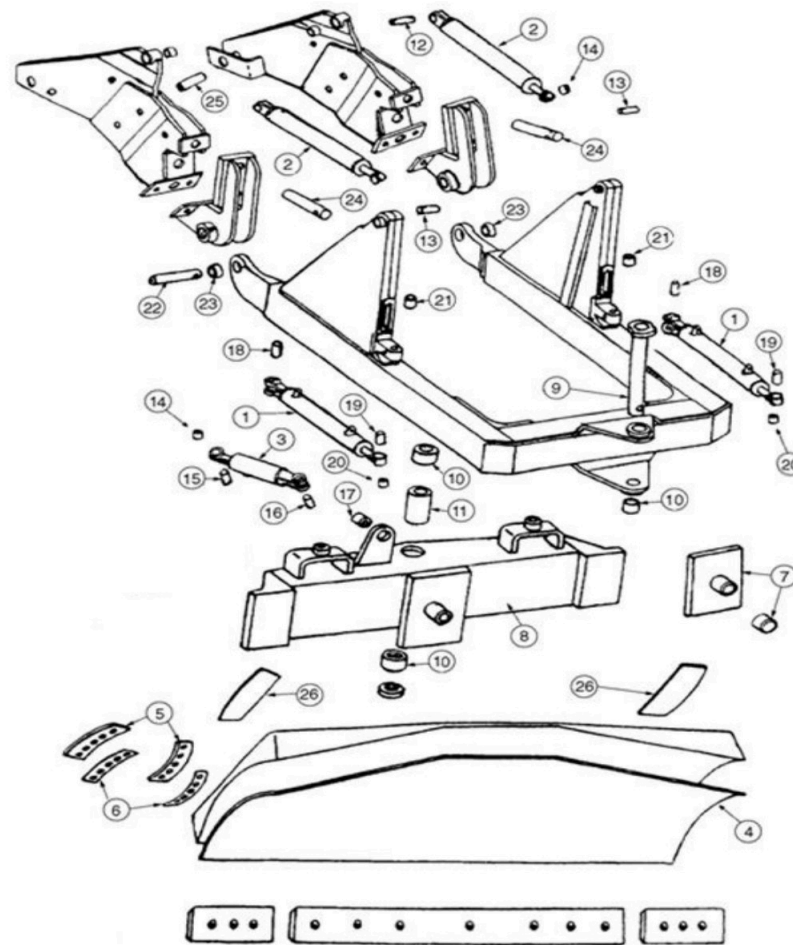
2026 Parts Catalog

**DOZER BLADE PARTS**

DOZER BLADE PARTS			CASE	
Ref. Part No.	Description	Notes	Qty.	Wt.
<b>CASE 1150B, 1150C, 1150D, 1150E (CONT.)</b>				
10	R55698	Bushing, self aligning Blade Center, 1150D, 1150E, 1150G (4 3/4" OD)	1	9
27	39325	Snap Ring 1150D, 1150E, 1150G (4 3/4" OD)	1	1
11	R37022	Spacer Use with R37021	2	2
11	R45224	Spacer 41M Use with R41800	2	4
11	R55700	Spacer 36M Use with R55698	2	3
12	R58345	Blade Mount Bracket Assembly 1150D, 1150E, 1150G, 1150H	1	76
13	25-1224	Nut	1	0.8
14	D32930	Pin Lift Cylinder on Frame	2	2.5
15	D36176	Pin Lift Cylinder On Cowl	4	1.2
	D31140	Bushing Lift Cylinder	4	0.3
16	D52386	Pin Tilt Cylinder	2	2
17	D30929	Bushing Tilt Cylinder	2	0.4
18	70315	Tilt Block	4	6
19	D51014	Pin Angle Cylinder 1150B, 1150C	2	2
19	R45056	Pin Angle Cylinder 1150D, 1150E	2	2.2
20	R45247	Pin Front Block 1150D, 1150E	4	2.1
21	D32933	Pin Rear Block	4	1.7
22	15-40	Bushing, self aligning	2	3
23	D23601	Bushing, self aligning	2	2
26	PV517	Blade Face 126" x 34" (2 pc.)	1	305
<b>CASE 1150E LT, 1150G, 1150H</b>				
7	R54810	Lift Cylinder Trunion	2	25
8	211-1024	Ball	50	1
9	R45099	Pin Center (2 3/4" OD)	1	18
10	R41800	Bushing Center (4 3/8" OD)	1	5
27	R32220	Snap Ring Use with R41800 (4 3/8" OD)	1	1
10	R55698	Bushing, self aligning Blade Center (4 3/4" OD)	1	9
27	39325	Snap Ring Use with R55698 (4 3/4" OD)	1	1
11	R45224	Spacer 41M Use with R41800	2	4
11	R55700	Spacer 36M Use with R55698	2	3
12	R58345	Blade Mount Bracket Assembly	1	76
13	25-1224	Nut	1	0.8
15	D36176	Pin Lift Cylinder, Trunion	4	1.2
	D31140	Bushing Lift Cylinder, Trunion	4	0.3
24	R53254	Pin C-Frame Mounting	2	10.4
29	D33635	Bushing C-Frame Mounting	4	0.4
25	R54769	Pin Tilt Cylinder Rod End	1	10
26	PV517	Blade Face 126" x 34" (2 pc.)	1	305
28	R54768	Pin Angle Cylinder, Tilt Cyl Tube End	3	6.4
30	346627A1	Block	1	4
<b>CASE 1450B, 1550 Blade Mount</b>				
12	R37198	Blade Mount Bracket	1	77
10	R37037	Bushing, self aligning	1	8
27	T38110	Snap Ring	1	1
9	R56816	Pin Center 1550	1	26
9	R53289	Pin Center 1450, 1450B	1	26

**DOZER BLADE PARTS**

**JOHN DEERE**



**DOZER BLADE PARTS**

**JOHN DEERE**

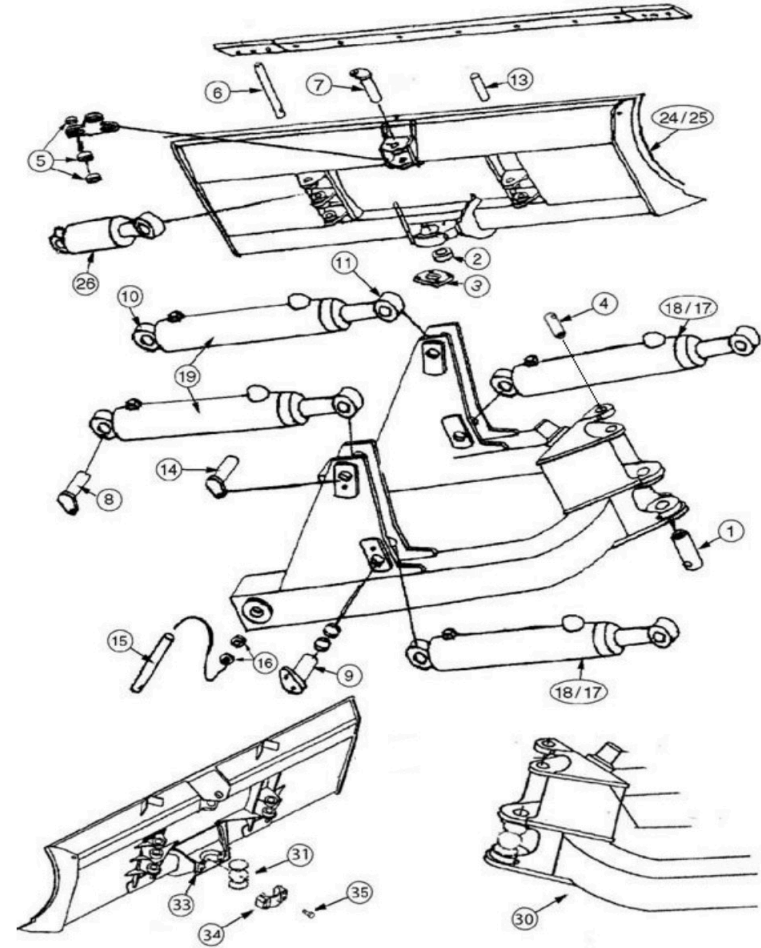
Ref. Part No.	Description	Notes	Qty.	Wt.
<b>JOHN DEERE 350, 350B, 350C</b>				
3 AU13835	Tilt Cylinder	Will replace AT44162	1	22
AR105453	Seal Kit		1	1

**JOHN DEERE 450, 450B, 450C, 450D, 450E, 550, 550B (6405 Blade)**

1 AU13861	Angle Cylinder		2	60
2 AT40473	Lift Cylinder		2	64
3 AU13847	Tilt Cylinder		1	40
T106947	Hose Shield		2	9
T37239	Clamp		4	0.8
4 T80343	90" Blade Face	90" x 29" (1 pc.)	1	186
4 PV507	104" Blade Face	104" x 31" (1 pc.)	1	230
5 T105543	Slide Plate		2	1.2
6 T34408	Shim		AR	0.5
7 AU13937	Pin Pivot Kit		1	24
8 BU10737	Main Cross Frame		1	300
9 AT48589	Pin	Main Center	1	13
10 U16878	Bushing	Main Center	4	1.3
11 28H2161	Spacer	Cross Frame to U Frame	1	2
12 U12660	Pin	Lift Cylinder Rear	2	1.3
13 U16925	Pin	Lift Cylinder Front	2	1.6
14 U15925	Bushing	Lift Cylinder rod end & Tilt Cylinder rod end	6	1
15 T105536	Pin	Tilt Cylinder rod end	1	1.4
16 U17292	Pin	Tilt Cylinder tube end	1	1
17 U11013	Bushing	Tilt Cylinder on main frame	1	1
18 U16915	Pin	Angle Cylinder Rear	2	1.6
19 U16916	Pin	Angle Cylinder Front	2	2.1
20 U13064	Bushing	Angle Cylinder Front (1 will replace 2 OEM bushings)	2	1
21 U16935	Bushing	Angle Cylinder Rear	2	1
22 U16920	Pin	C-Frame Rear	2	4.6
23 U16875	Bushing	C-Frame Rear	2	1
24 U41528	Pin	Cross member	2	5.4
25 T47054	Pin	Mounting Frame Rear	2	1.3
26 T105544	Wear Plate		2	4

**DOZER BLADE PARTS**

**JOHN DEERE**



C11

2026 Parts Catalog

C12

2026 Parts Catalog

**DOZER BLADE PARTS**

**JOHN DEERE**

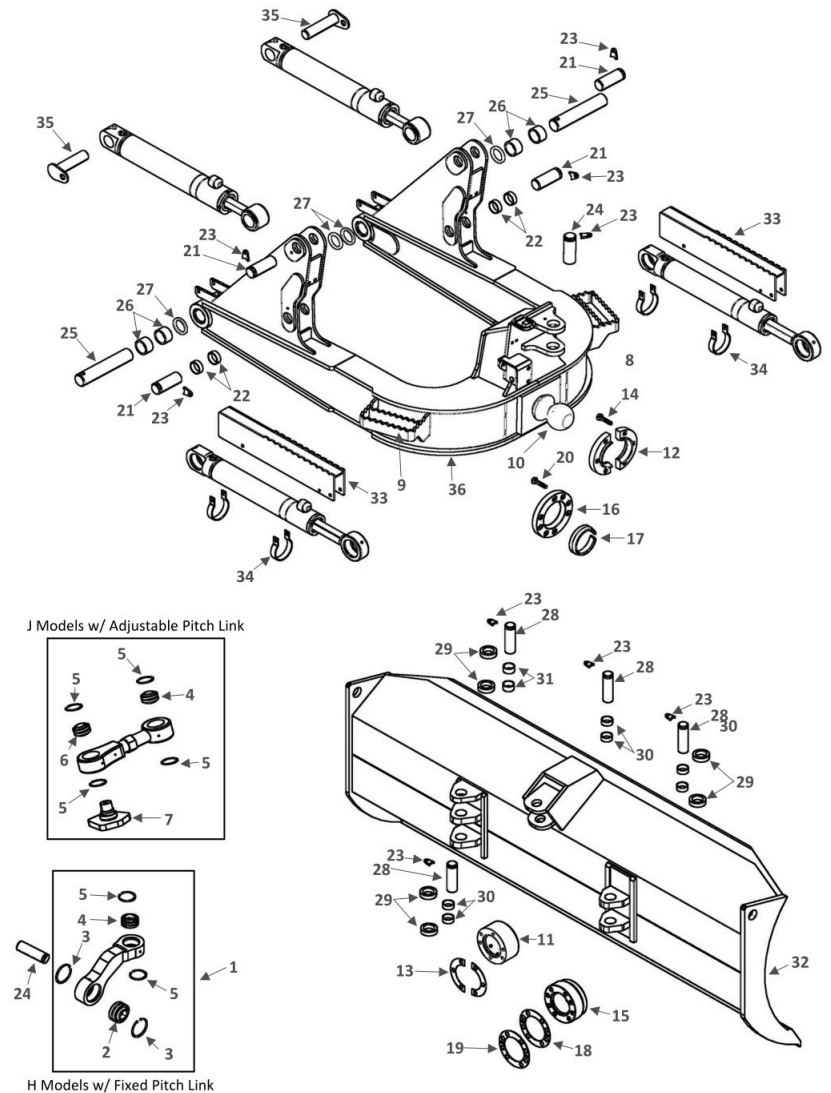
Ref.	Part No.	Description	Notes	Qty.	Wt.
<b>JOHN DEERE 450G, 450G LONG TRACK</b>					
18	AH161764	Angle Cylinder		2	56
	AH212090	Seal Kit, Bore		2	0.1
	AH149194	Seal Kit, Rod		2	0.1
	AT157173	Bushing, self aligning	<i>Not included in cylinder</i>	4	2
<b>JOHN DEERE 450G WIDE TRACK, 550G, 650G</b>					
17	AH161770	Angle Cylinder		2	58
	AH149842	Seal Kit, Bore		2	0.1
	RE20434	Seal Kit, Rod		2	0.1
	AT157173	Bushing, self aligning	<i>Not included in cylinder</i>	4	2
<b>JOHN DEERE 450G, 550G, 650G</b>					
19	AH161762	Lift Cylinder		2	56
	AH149842	Seal Kit, Bore		2	0.1
	AH149194	Seal Kit, Rod		2	0.1
<b>JOHN DEERE 650G</b>					
26	AH161766	Tilt Cylinder		1	49
	AH212101	Seal Kit, Bore		1	0.1
	AH148164	Seal Kit, Rod		1	0.1
	AT157173	Bushing, self aligning	<i>Not included in cylinder</i>	2	2
<b>JOHN DEERE 450G, 550G, 650G</b>					
1	T122600	Pin	<i>Center, old style</i>	1	15
2	AT157247	Bushing	<i>Center, old style</i>	1	7
3	T124132	Retainer Plate	<i>For AT157247 bushing</i>	2	3
	T112826	Spacer	<i>For AT157247 bushing</i>	2	1
4	T105049	Pin	<i>Tilt Cylinder to C-Frame</i>	1	4
5	AT157174	Bushing, self aligning	<i>Blade Link</i>	3	4
	T124243	Support, Pitch Strut	<i>s/n 790251-</i>	1	50
6	T104739	Pin	<i>Angle &amp; Tilt Cylinder</i>	1	8.1
7	AT120388	Pin	<i>Pitch</i>	1	7
8	AT85792	Pin	<i>Lift Cylinder, rear</i>	2	3.5
9	AT142432	Pin	<i>Angle Cylinder, rear</i>	2	3.4
10	R89683	Bushing	<i>Lift Cylinder, rear</i>	2	1
11	R89940	Bushing	<i>Lift Cylinder, front</i>	2	1
13	T104741	Pin	<i>Angle Cylinder, front</i>	1	4.4
14	AT113692	Pin	<i>Lift Cylinder, front</i>	2	3.2
15	T122576	Pin	<i>C-Frame, rear</i>	2	8.4
16	T122720	Bushing	<i>C-Frame, rear</i>	4	0.4
16	T68818	Seal	<i>C-Frame, rear</i>	4	0.05
24	PV507	Blade Face	<i>104" x 31" (2 pc.)</i>	1	230
25	PV508	Blade Face	<i>122" x 32" (2 pc.)</i>	1	285
<b>JOHN DEERE 450G LGP &amp; WIDE TRACK, 550G, 650G</b>					
30	AT184571	C-Frame		1	750
	PV5004	Blade Pivot Kit (include ref # 31,33,34,35)		1	85
31	T147801	Ball	<i>Included in C-Frame</i>	1	22
33	T180534	Socket	<i>Gussets included</i>	1	39
	T144253	Shim	<i>34 required if using all PVE parts</i>	AR / 34	0.05
34	T180535	Cap		1	19
35	19M7963	Bolt		4	0.65

**C13**

2026 Parts Catalog

**C-FRAME, BLADE PARTS**

**JOHN DEERE**



**C14**

2026 Parts Catalog

C-FRAME, BLADE PARTS

JOHN DEERE

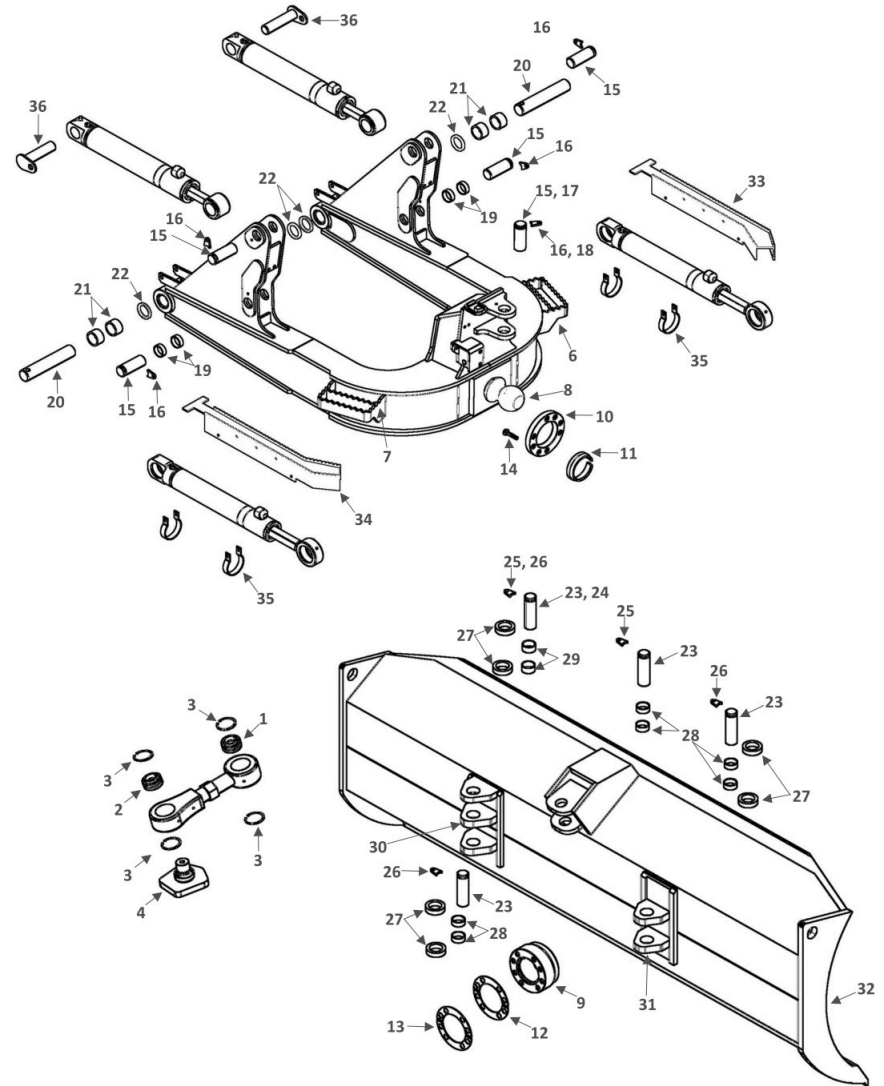
Ref. Part No.	Description	Notes	Qty.	Wt.
<b>JOHN DEERE 450H, 450J, 550H, 550J, 650H, 650J</b>				
1	AT209364	Pitch Link, Mid 56"	1	30.0
2	AT209365	Bushing, Self Aligning	1	3.4
3	F39000354	Snap Ring	2	0.05
4	AT157173	Bushing, Self Aligning	1	2.0
5	40M5099	Snap Ring	2	0.05
6	AT128773	Bushing, Self Aligning - Adjustable Pitch Link to C-frame	1	1.4
7	AT310824	Pivot - Pitch Link to C-Frame	1	14.0
7	T176698	Pin - Pitch Link to C-Frame	1	4.0
8	AT408764	Step, LH	1	7.0
9	AT408763	Step, RH	1	7.0
	PV5005	Blade Pivot Kit (includes ref. #10,11,12,13,14)	1	56.0
10	T196072	Ball	1	16.0
11	T181021	Socket	1	30.0
12	T196073	Retainer	2	3.4
13	T180582	Shim	14	0.1
14	19M7759	Bolt	6	0.2
	PV5000	Blade Pivot Kit (includes ref # 10,15,16,17,18,19,20)	1	59.0
15	T255152	Socket	1	31.0
16	T255155	Retainer	1	6.3
17	T227961	Retainer, Slip Ring	1	1.0
18	T255156	Shim	2	0.2
19	T255157	Shim	4	0.2
20	19M9133	Bolt, M20 x 70	8	0.4
21	T384432	Pin - Angle and Lift Cylinder to C-Frame	2	3.2
22	T105052	Bushing, Spacer - Angle Cylinder to C-Frame	4	0.1
23	T170880	Plate	9	0.2
24	T170879	Pin - Pitch Link and Tilt Cylinder to C-Frame	2	4.0
24	T384432	Pin - Tilt Cylinder to C-Frame	1	3.2
25	T122628	Pin - Rear C-Frame Pivot	2	8.4
26	T122720	Bushing - Rear C-Frame Pivot	4	0.4
	M467M	Shim - Rear C-Frame Pivot	2	0.1
	24H1598	Shim - Rear C-Frame Pivot	2	0.15
27	T68818	Seal - Rear C-Frame Pivot	4	0.05
28	T170879	Pin - Angle and Tilt Cylinders, Pitch Link to Blade	4	4.0
23	T170880	Plate	9	0.2
29	T178620	Bushing, Rubber - Angle and Tilt Cylinder to Blade	6	0.2
30	T170884	Bushing - Angle and Tilt Cylinder, Pitch Link to Blade	6	0.1
31	T174256	Bushing - Angle Cylinder to Blade	2	0.1
32	PV512	Blade Face	1	197
32	PV502	Blade Face	1	234
32	PV517	Blade Face	1	305
33	AT374115	Hose Guard	2	11.5
34	T182014	Clamp	4	0.5
35	AT211297	Pin - Lift Cylinder to Tractor	2	3.8
36	AT302874	C-Frame, Heavy Duty	1	870
		Also purchase Item 24 for adjustable pitch link models		

C15

2026 Parts Catalog

C-FRAME, BLADE PARTS

JOHN DEERE



C16

2026 Parts Catalog

**C-FRAME, BLADE PARTS**

**JOHN DEERE**

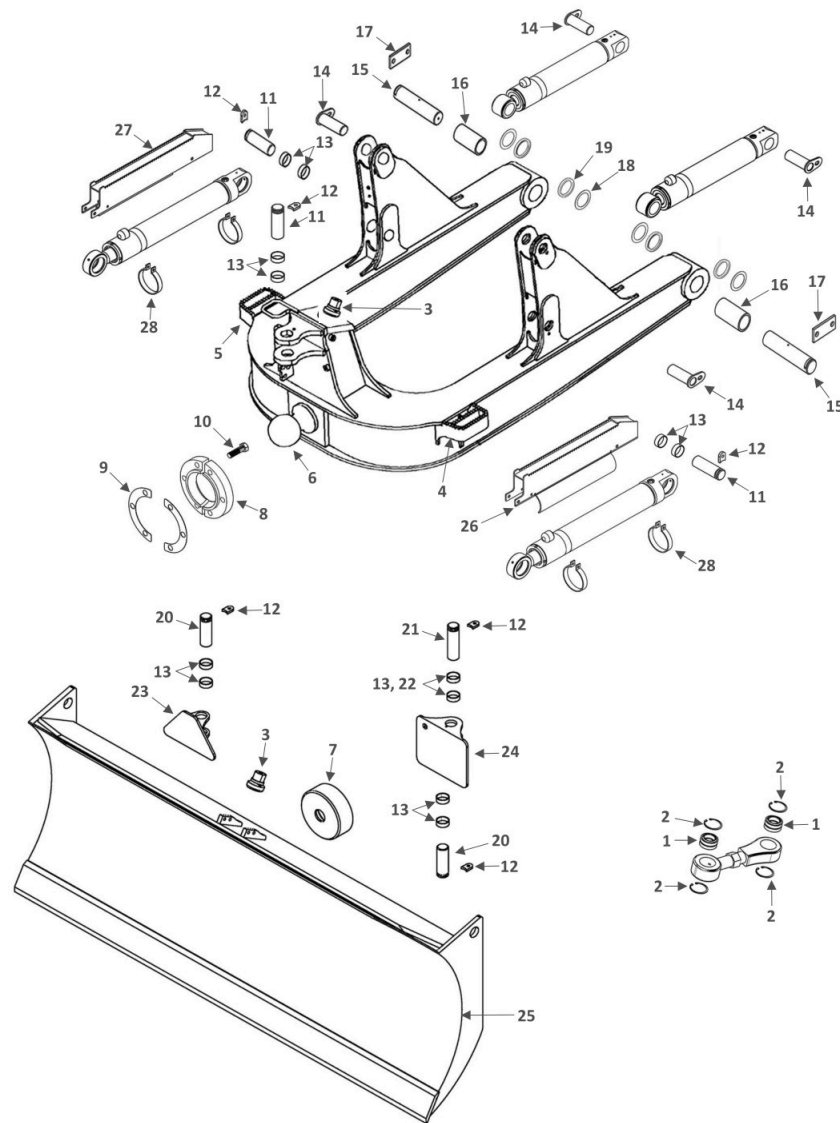
Ref. Part No.	Description	Notes	Qty.	Wt.	
<b>JOHN DEERE 450K, 450 P, 550K, 550 P, 650K, 650 P</b>					
1	AT157173	Self Aligning Bushing - Pitch Link	1	2.0	
2	AT128773	Self Aligning Bushing - Pitch Link	1	1.4	
3	40M5099	Snap Ring - Pitch Link	4	0.05	
4	AT225141	Pivot - Pitch Link to C-Frame	1	14.0	
4	T176698	Pin - Pitch Link to C-Frame	1	4.0	
6	AT408763	Step, LH	1	7.0	
7	AT408764	Step, RH	1	7.0	
	PV5000	Blade Pivot Kit (includes ref # 8,9,10,11,12,13,14)	1	59.0	
8	T196072	Ball	1	16.0	
9	T255152	Socket	8 Bolt	1	31.0
10	T255155	Retainer	8 Bolt	1	6.3
11	T227961	Retainer, Slip Ring	1	1.0	
12	T255156	Shim	8 Bolt	2	0.2
13	T255157	Shim	8 Bolt	4	0.2
14	19M9133	Bolt, M20 x 70mm	8	0.4	
15	T384432	Pin - Tilt, Angle, and Lift Cylinders to C-Frame	5	3.2	
16	T170880	Plate, Pin Retainer	5	0.2	
19	T105052	Bushing - Angle Cylinder to C-Frame	4	0.1	
20	T122628	Pin - Rear C-Frame Pivot	2	8.4	
21	T122720	Bushing - Rear C-Frame Pivot	4	0.4	
	M467M	Shim - Rear C-Frame Pivot	<i>K-Models Only, 2mm</i>	2	0.1
	24H1598	Shim - Rear C-Frame Pivot - .105" Thick	<i>K-Models Only</i>	2	0.15
	T458583	Shim - Rear C-Frame Pivot	<i>P-Tier Models Only, 2mm</i>	4	0.15
22	T68818	Seal - Rear C-Frame Pivot	4	0.05	
23	T170879	Pin - Tilt and Angle Cylinders to Blade, Pitch Link to Blade	4	4.0	
26	T170880	Plate, Pin Retainer	4	0.2	
27	T178620	Bushing, Rubber - Tilt and Angle Cylinder to Blade	6	0.2	
28	T170884	Bushing - Angle Cylinder and Pitch Link to Blade	6	0.1	
29	T174256	Bushing - Tilt Cylinder to Blade	2	0.1	
30	AT208543	Mounting Plate, LH - Tilt and Angle Cylinder to Blade	1		
31	AT208542	Mounting Plate, RH - Angle Cylinder to Blade	1		
32	PV512	Blade Face	<i>90 x 31" (1 pc.)</i>	1	197
32	PV502	Blade Face	<i>102" x 34" (1 pc.)</i>	1	234
32	PV517	Blade Face	<i>126" x 34" (2 pc.)</i>	1	305
	AT380324	Hose Guard	<i>550K, 650K s/n -291536 Only</i>	1	11.5
35	T182014	Clamp	4	0.5	
36	AT211297	Pin - Lift Cylinder to Tractor	2	3.8	

**C17**

2026 Parts Catalog

**C-FRAME, BLADE PARTS**

**JOHN DEERE**



**C18**

2026 Parts Catalog

**C-FRAME, BLADE PARTS**

**JOHN DEERE**

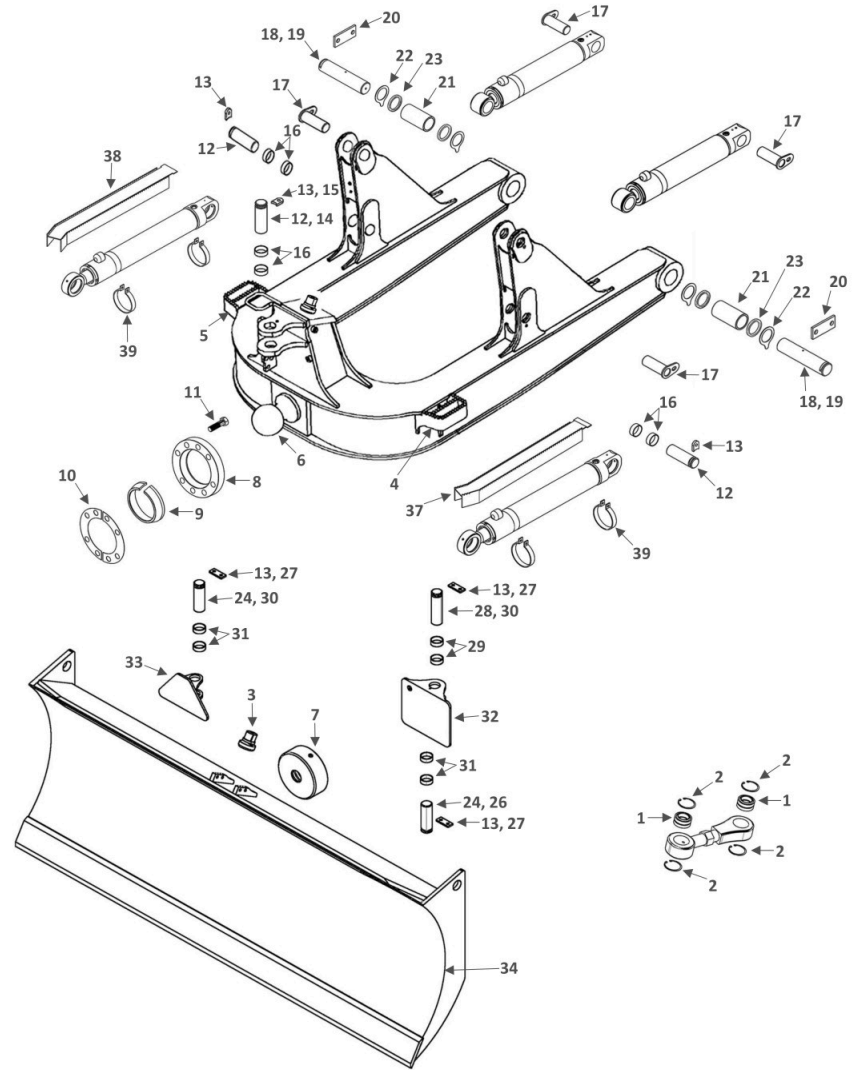
Ref. Part No.	Description	Notes	Qty.	Wt.
<b>JOHN DEERE 700H, 700J</b>				
1	AT128773	Bushing, self aligning Pitch Link	700H s/n -937546	2 1.4
2	40M5099	Snap Ring	700H s/n -937546	4 0.05
1	AT128774	Bushing, self aligning Pitch Link	700H s/n 937547-, 700J, 700K	2 2.2
2	40M1873	Snap Ring	700H s/n 937547-, 700J, 700K	4 0.05
3	T176698	Pin - Pitch Link to C-Frame and Blade	700H s/n -937546	1 4.0
3	T208700	Pin - Pitch Link to C-Frame and Blade	700H s/n 937547-, 700J, 700K	1 6.0
4	AT360969	Step, LH	trim to fit weldment	1 7.0
5	AT360970	Step, RH	trim to fit weldment	1 7.0
	PV5006	Blade Pivot Kit (includes ref #6, 7, 8, 9, 10)		1 105
6	T179350	Ball		1 39
7	T177111	Socket	6 bolt	1 54
8	T177108	Retainer - Purchase qty. 2 for matching set	6 bolt	2 8.4
9	T177209	Shim	6 bolt	12 0.1
10	19M8639	Bolt	Blade socket	6 0.4
11	T176360	Pin - Tilt and Angle Cylinders to C-Frame		5 5.0
12	T177000	Plate, Pin Retainer		6 0.2
13	T176988	Bushing - Angle and Tilt Cylinders to C-Frame		6 0.2
14	AT221145	Pin - Lift Cylinder to C-Frame and Tractor		4 5.2
15	T177030	Pin - Rear C-Frame Pivot		2 16.0
16	T177029	Bushing - Rear C-Frame Pivot		2 4.6
17	T177028	Plate, Pin Retainer		2 1.2
18	T102171	Shim - Rear C-Frame Pivot	2mm	4 0.4
19	T102136	Seal, Pin - Rear C-Frame Pivot		4 0.05
20	T176360	Pin - Angle Cylinders to Blade		2 5.0
13	T176988	Bushing - Angle and Tilt Cylinders to Blade		6 0.2
21	T180374	Pin - Tilt Cylinder to Blade		1 5.8
13	T176988	Bushing - Tilt Cylinder to Blade	700H	6 0.2
22	T126814	Bushing - Tilt Cylinder to Blade	700J, 700K	4 0.2
23	AT479142	Mounting Plate, RH - Angle Cylinder to Blade		
24	AT308137	Mounting Plate, LH - Tilt and Angle Cylinder to Blade		
25	PV513	Blade Face	134" x 38" (2 pc.)	1 340
26	AT223656	Hose Guard, L/H	700H, 700J	1 21.0
27	AT223552	Hose Guard, R/H	700H, 700J	1 21.0
28	T137908	Clamp		4 0.4

**C19**

2026 Parts Catalog

**C-FRAME, BLADE PARTS**

**JOHN DEERE**



**C20**

2026 Parts Catalog

**C-FRAME, BLADE PARTS**

**JOHN DEERE**

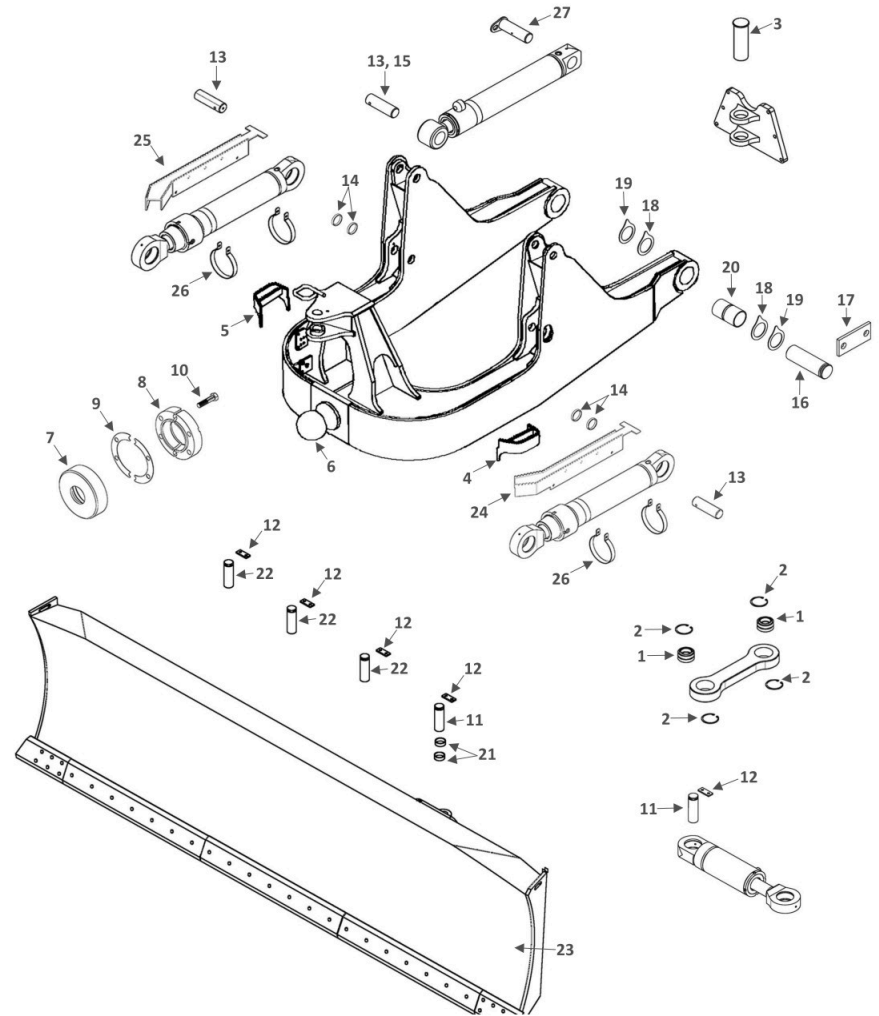
Ref. Part No.	Description	Notes	Qty.	Wt.	
<b>JOHN DEERE 700K, 700L, 700 P</b>					
1	AT128774	Self Aligning Bushing - Pitch Link	2	2.2	
2	40M1873	Snap Ring - Pitch Link	4	0.05	
3	T208700	Pin - Pitch Link to C-Frame	2	6.0	
4	AT360969	Step, LH	1	7.0	
5	AT360970	Step, RH	1	7.0	
	PV5001	Blade Pivot Kit (includes ref. #6,7,8,9,10,11)	1	101	
6	T179350	Ball	1	39.0	
7	T410426	Socket	8 bolt	1	44.0
8	T410262	Retainer	8 bolt	1	13.5
9	T231116	Retainer, Slip Ring	8 bolt	1	2.5
10	T410259	Shim	8 bolt	12	0.2
11	19M9133	Bolt, M20 x 70mm	8	0.4	
12	T176360	Pin - Tilt and Angle Cylinders to C-Frame	2	5.0	
13	T177000	Plate, Pin Retainer	3	0.2	
16	T176988	Bushing - Tilt and Angle Cylinders to C-Frame	6	0.2	
17	AT221145	Pin - Lift Cylinder to C-Frame and Tractor	2	5.2	
18	T177030	Pin - Rear C-Frame Pivot	700K Only	2	16
20	T177028	Plate, Pin Retainer	2	1.2	
21	T177029	Bushing - Rear C-Frame Pivot	2	4.6	
22	T415917	Shim - Rear C-Frame Pivot	2mm	4	0.4
23	T102136	Seal - Rear C-Frame Pivot	4	0.05	
24	T176360	Pin - Angle Cylinders to Blade	700K Only	2	5.0
13	T177000	Plate, Pin Retainer	700K Only	2	0.2
28	T180374	Pin - Tilt Cylinder to Blade	700K Only	1	5.8
13	T177000	Plate, Pin Retainer	700K Only	1	0.2
29	T176988	Bushing - Tilt Cylinder to Blade	2	0.2	
31	T126814	Bushing - Angle Cylinder to Blade	4	0.2	
32	AT479142	Mounting Plate, LH - Tilt and Angle Cylinder to Blade	1		
33	AT479141	Mounting Plate, RH - Angle Cylinder to Blade	1		
34	PV513	Blade Face 134" x 38" (2 pc.)	1	340	
37	AT380330	Hose Guard, LH - w/ Tube Guard	700K s/n -291536	1	21.0
38	AT380329	Hose Guard, RH - w/ Tube Guard	700K s/n -291536	1	21.0
39	T137908	Clamp	4	0.4	

C21

2026 Parts Catalog

**C-FRAME, BLADE PARTS**

**JOHN DEERE**



C22

2026 Parts Catalog

**C-FRAME, BLADE PARTS**

**JOHN DEERE**

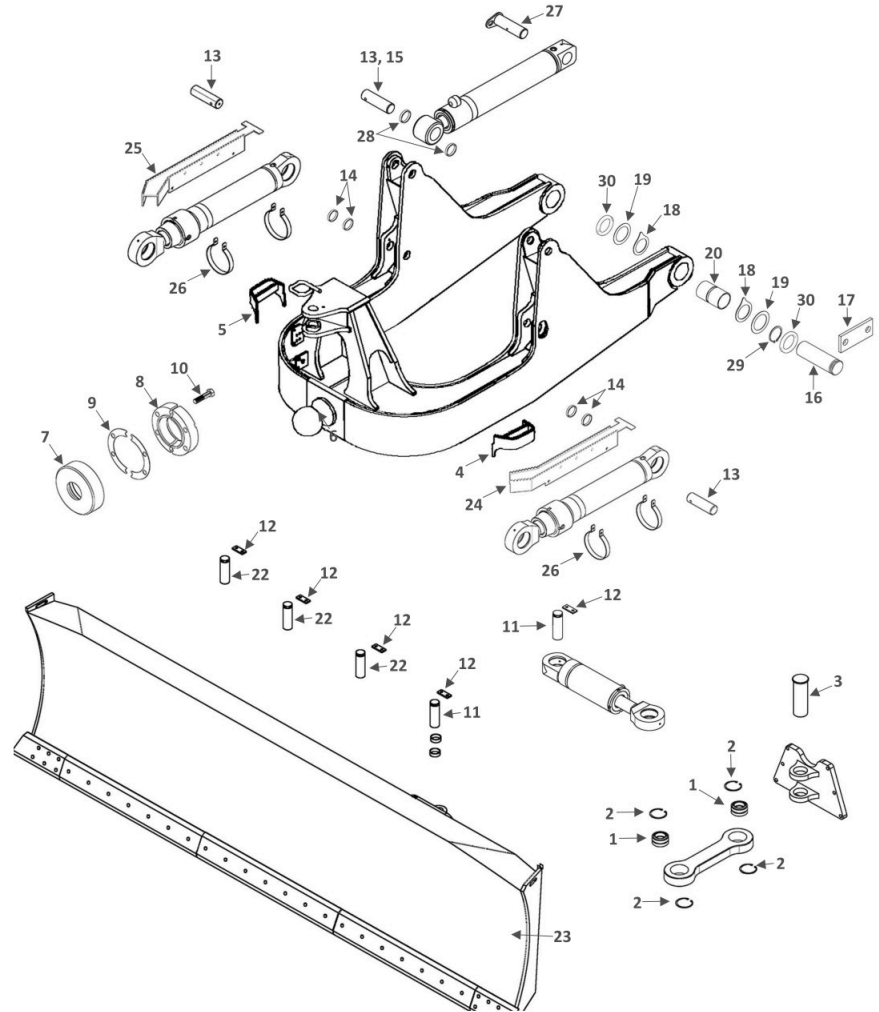
Ref. Part No.	Description	Notes	Qty.	Wt.
<b>JOHN DEERE 750J, 750K (PAT Dozer Only)</b>				
1	AT359620	Self Aligning Bushing, Pitch Link	2	4.0
3	T217646	Pin, Pitch Link to C-frame	1	5.2
4	AT417381	Step, LH	1	7.0
5	AT417378	Step, RH	1	7.0
	PV5007	Blade Pivot Kit (includes ref #6,7,8,9,10)	1	131
6	T197229	Ball	1	49.0
7	T197226	Socket	1	45.0
8	T197225	Retainer	2	15.0
9	T202657	Shim	8	0.1
10	19H3255	Bolt, 7/8" x 4"	6	0.8
11	T201667	Pin, Tilt Cylinder to C-frame and Blade	2	6.0
12	T202755	Plate, Pin Retainer	5	0.2
13	T209133	Pin, Angle and Lift Cylinder to C-frame	4	5.4
16	T202854	Pin, Rear C-frame Pivot	2	25.0
17	T177028	Plate, Pin Retainer	2	1.2
18	T101480	Shim, Rear C-frame Pivot	2	0.6
21	T126814	Bushing, Tilt Cylinder to Blade	2	0.2
22	T202754	Pin, Angle Cylinder and Pitch Link to Blade	3	5.2
23	PV514	Blade Face 130" x 42" (2 pc.)	1	575
24	AT324248	Hose Guard, LH	1	13.0
25	AT324247	Hose Guard, RH	1	13.0
26	T203016	Clamp	4	0.6
27	AT303629	Pin, Lift Cylinder to Tractor	2	6.0
27	AT435021	Pin, Lift Cylinder to Tractor	2	5.9
<b>JOHN DEERE 750L, 750 P (PAT Dozer Only)</b>				
1	AT359620	Self Aligning Bushing, Pitch Link	2	4.0
2	F39000354	Snap Ring, Pitch Link	4	0.05
3	T217646	Pin - Pitch Link to C-Frame	1	5.2
4	AT417381	Step, LH	1	7.0
5	AT417378	Step, RH	1	7.0
	PV5002	Blade Pivot Kit (includes ref #6,7,8,9,10)	1	132
6	T197229	Ball	1	49.0
7	T436917	Socket	1	45.0
8	T436918	Retainer	2	15.5
9	T436919	Shim	12	0.2
10	19M8249	Bolt, M24x100	8	0.8
14	T126814	Bushing - Angle Cylinder to C-Frame	4	0.2
15	T209133	Pin, Lift Cylinder to C-frame	2	5.4
17	T177028	Plate, Pin Retainer	2	1.2
18	T429886	Shim, Rear C-frame Pivot	2	0.6
	T102138	Seal, Rear C-Frame Pivot	4	0.05
21	T176988	Bushing, Tilt Cylinder to Blade	1	0.2
24	AT376750	Hose Guard, LH	1	13.0
25	AT376749	Hose Guard, RH	1	13.0
26	T203016	Clamp	4	0.6
27	AT435021	Pin - Lift Cylinder to Tractor	2	5.9

C23

2026 Parts Catalog

**C-FRAME, BLADE PARTS**

**JOHN DEERE**



C24

2026 Parts Catalog

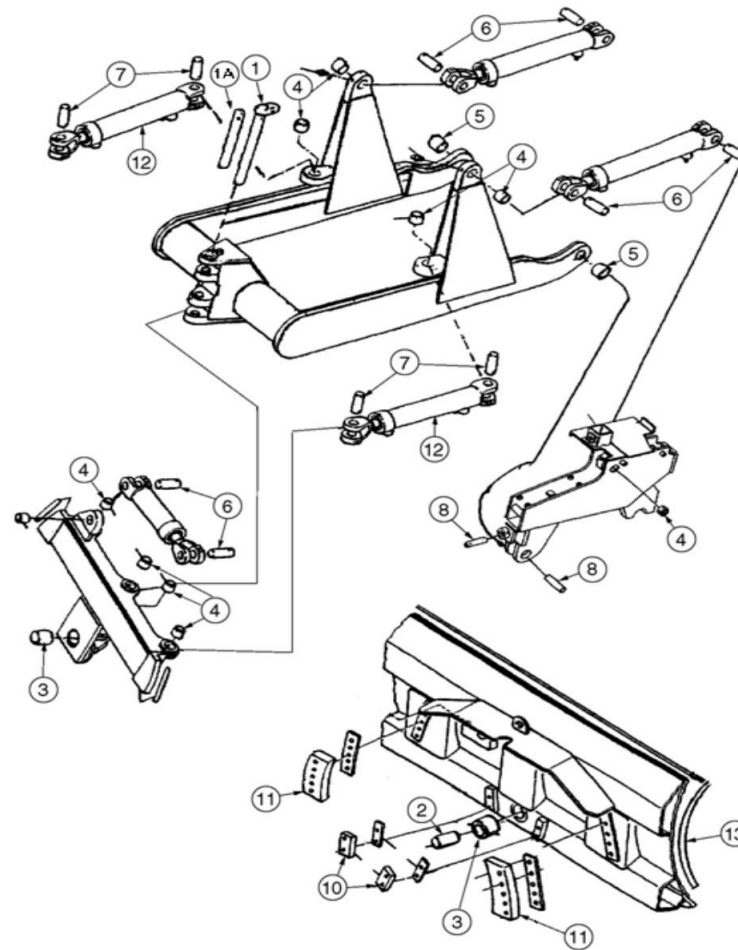
**C-FRAME, BLADE PARTS**

**JOHN DEERE**

Ref. Part No.	Description	Notes	Qty.	Wt.
<b>JOHN DEERE 850J, 850K (PAT Dozer Only)</b>				
1	AT359620	Self Aligning Bushing - Pitch Link	2	4.0
2	F39000354	Snap Ring - Pitch Link	4	0.1
3	T217646	Pin - Pitch Link to C-Frame	1	5.2
4	AT417381	Step, LH	1	
5	AT417378	Step, RH	1	
PV5008	Blade Pivot Kit (includes ref #6,7,8,9,10)		1	162
6	T187345	Ball	1	63.0
7	T187246	Socket	6 Bolt	1 70.0
8	T187388	Retainer	6 Bolt	2 23.0
9	T187240	Shim	6 Bolt	12 0.1
10	19H3255	Bolt	7/8" x 4"	6 0.8
11	T201667	Pin - Tilt Cylinder to C-Frame and Blade	2	6.0
12	T202755	Plate, Pin Retainer	5	0.2
13	T209133	Pin - Angle and Lift Cylinder to C-Frame	4	5.4
16	T202854	Pin - Rear C-frame Pivot	2	25.0
17	T177028	Plate, Pin Retainer	850J	2 1.2
17	T331593	Plate, Pin Retainer	850K	2
18	T219583	Shim - Rear C-Frame Pivot	2mm	8 0.6
21	T126814	Bushing - Tilt Cylinder to Blade	2	0.2
22	T202754	Pin - Angle Cylinder and Pitch Link to Blade	3	5.2
24	AT396078	Hose Guard, LH	1	
25	AT396077	Hose Guard, RH	1	
26	T187709	Clamp	4	0.6
27	AT305020	Pin - Lift Cylinder to Tractor	2	6.6
<b>JOHN DEERE 850L, 850 P, 850 X (PAT Dozer Only)</b>				
1	AT359620	Self Aligning Bushing - Pitch Link	2	4.0
2	F39000354	Snap Ring - Pitch Link	4	0.05
3	T217646	Pin - Pitch Link to C-Frame	1	5.2
4	AT417381	Step, LH	1	7.0
5	AT417378	Step, RH	1	7.0
PV5003	Blade Pivot Kit (includes ref #6,7,8,9,10)		1	162
6	T187345	Ball	1	63.0
7	T392724	Socket	8 Bolt	1 61.0
8	T393645	Retainer	8 Bolt	2 27.8
9	T393646	Shim	8 Bolt	12 0.4
10	19M8249	Bolt	M24 x 100	8 0.8
28	T126814	Bushing - Lift Cylinder to C-Frame	4	0.2
30	T102139	Seal - Rear C-Frame Pivot	2	0.1
18	T387261	Shim - Rear C-Frame Pivot	2mm	8 0.6
21	T176988	Bushing - Tilt Cylinder to Blade	2	0.2
26	T187709	Clamp	4	0.6

**DOZER BLADE PARTS**

**DRESSER**



C25

2026 Parts Catalog

C26

2026 Parts Catalog

**DOZER BLADE PARTS**

**DRESSER**

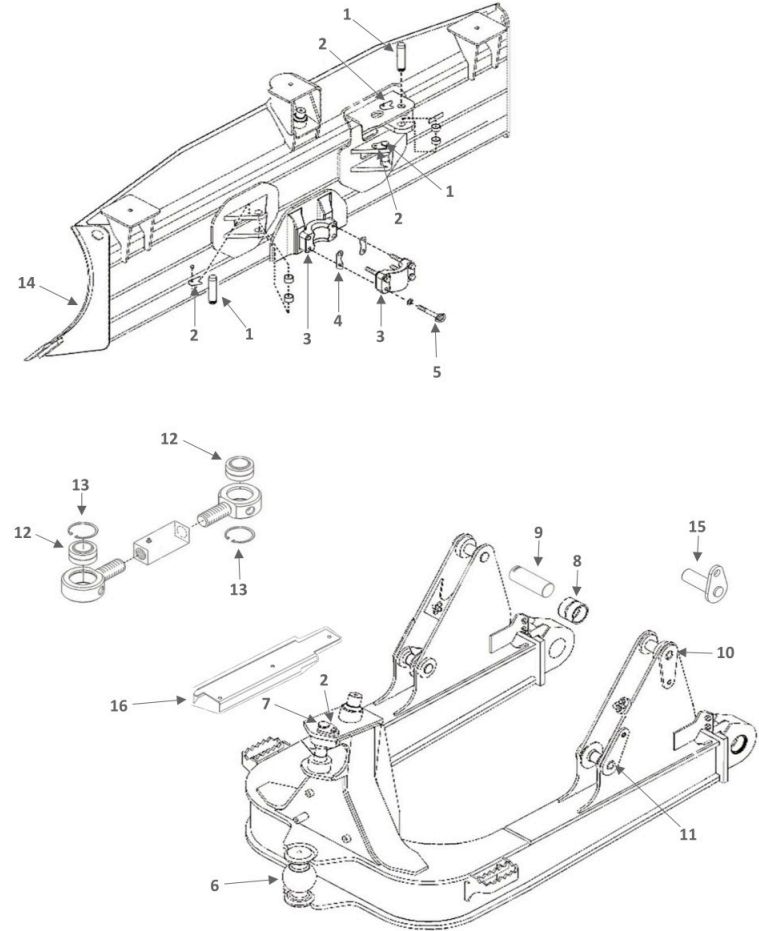
Ref. Part No.	Description	Notes	Qty.	Wt.
<b>TD7C, TD7E Blade Pins &amp; Bushings</b>				
1	1209087H1	Pin Main Blade	1	9.3
		Use (1) 1209087H1 to Replace (2) 620562C1		
2	620528C2	Pin Main Center	1	8
3	705746C1	Bushing Blade Center	2	1
4	618988C1	Bushing Blade	12	1
5	620564C1	Bushing C-Frame	2	1
6/7	620621C1	Pin Cylinder Mount	10	3
8	620873C2	Pin Blade Mount	4	5
10	646670C1	Retainer Lower	2	3
11	705740C1	Retainer Upper	2	8
<b>TD7G Blade Pins &amp; Bushings</b>				
1	1209087H1	Pin Main Blade	1	9.3
2	620528C2	Pin Blade Center	1	8
3	705746C1	Bushing Blade Center	2	1
4	618988C1	Bushing Blade	12	1
5	620564C1	Bushing C-Frame	2	1
6	620621C1	Pin Lift & Tilt Cylinder	6	3
8	620873C2	Pin Trunion & C-Frame	4	5
10	646670C1	Retainer Lower	2	3
11	705740C1	Retainer Upper	2	8
<b>TD8C, TD8E Blade Parts &amp; Pins &amp; Bushings</b>				
1A	620664C1	Pin Main Blade	2	4.8
2	620693C2	Pin Blade Center	1	9
3	705734C1	Bushing Blade Center	2	1
4	618962C1	Bushing Blade	12	0.4
5	620665C1	Bushing C-Frame	2	0.8
6/7	645351C1	Pin Cylinder Mount	10	2.7
8	620873C2	Pin Trunion & C-Frame	4	5
10	646670C1	Retainer Lower	2	3
11	705760C1	Retainer Upper	2	8
12	620630C92	Angle Cylinder	2	71
<b>TD8G Blade Pins &amp; Bushings</b>				
1	1209088H1	Pin Main Blade	1	13
2	620693C2	Pin Blade Center	1	9
3	705734C1	Bushing Blade Center	2	1
4	618962C1	Bushing Blade	12	1
5	620665C1	Bushing C-Frame	2	0.8
6	645351C1	Pin Lift & Tilt Cylinder	6	2.7
7	734761C1	Pin Angle Cylinder	4	2.7
8	620873C2	Pin Trunion & C-Frame	4	5
10	646670C1	Retainer Lower	2	3
11	705760C1	Retainer Upper	2	8
12	620630C92	Angle Cylinder	2	71
<b>TD7, TD7C, TD7E, TD7G, TD8, TD8C, TD8E, TD8G</b>				
13	PV512	Blade Face 90" x 31" (1 pc.)	1	197

C27

2026 Parts Catalog

**BLADE PARTS**

**CAT**



C28

2026 Parts Catalog

**BLADE PARTS**

**CAT**

Ref.	Part No.	Description	Notes	Qty.	Wt.
<b>CAT D3C, D4C, D5C (w/ PAT Blade)</b>					
1	6Y1421	Pin	Tilt & Angle Cylinder to Blade	3	3.6
2	8J0729	Pin Retainer		4	0.75
7	8J0928	Pin	Tilt Cylinder to C-Frame	1	3.3
10	8J0927	Pin	Lift Cylinder to C-Frame	2	2.7
11	8J0927	Pin	Angle Cylinder to C-Frame	2	2.7

<b>CAT D3G, D4G, D5G</b>					
1	6Y1421	Pin	Tilt & Angle Cylinder to Blade	3	3.6
2	8J0729	Pin Retainer		4	0.75
	PV5009	Blade Pivot Kit (Includes Ref.# 3,4,5,6)		1	70
3	179-5755	Cap Bearing		2	20
4	183-5297	Shim	0.8mm thick	28	0.1
5	225-0098	Bolt		4	0.8
6	179-5757	Trunnion Ball		1	24
7	8J0928	Pin	Tilt Cylinder to C-Frame	1	3.3
8	183-1176	Bushing	Rear C-Frame	2	1.8
9	183-1175	Pin	C-Frame to Tractor	2	9.2
15	180-1588	Pin	Lift Cylinder to Tractor	2	3
10	208-3760	Pin	Lift Cylinder to C-Frame	2	4
11	208-3759	Pin	Angle Cylinder to C-Frame	2	4
12	4D4431	Bushing, Self Aligning		2	1.4
13	2H5549	Snap Ring		2	0.05
14	PV517	Blade Face	126" x 34" (2 pc.)	1	305

<b>Cat D3K, D3K2, D4K, D4K2, D5K, D5K2</b>					
1	6Y1421	Pin	Tilt & Angle Cylinder to Blade	3	3.6
2	8J0729	Pin Retainer		4	0.75
	PV5009	Blade Pivot Kit (Includes Ref.# 3,4,5,6)		1	70
3	179-5755	Cap Bearing		2	20
4	183-5297	Shim	0.8mm thick	28	0.1
5	225-0098	Bolt		4	0.8
6	179-5757	Trunnion Ball		1	24
7	8J0928	Pin	Tilt Cylinder to C-Frame	1	3.3
8	183-1176	Bushing	Rear C-Frame	2	1.8
9	299-7704	Pin	C-Frame to Tractor	2	9.2
15	271-2734	Pin	Lift Cylinder to Tractor	2	3.5
10/11	255-2100	Pin	Lift Cylinder & Angle Cylinder to C-Frame	4	4
12	4D4431	Bushing, Self Aligning		2	1.4
13	2H5549	Snap Ring		2	0.05
14	PV517	Blade Face	126" x 34" (2 pc.)	1	305
16	346-9729	Hose Guard	D3K2, D4K2, D5K2, D1, D2, D3 Only	2	5.8

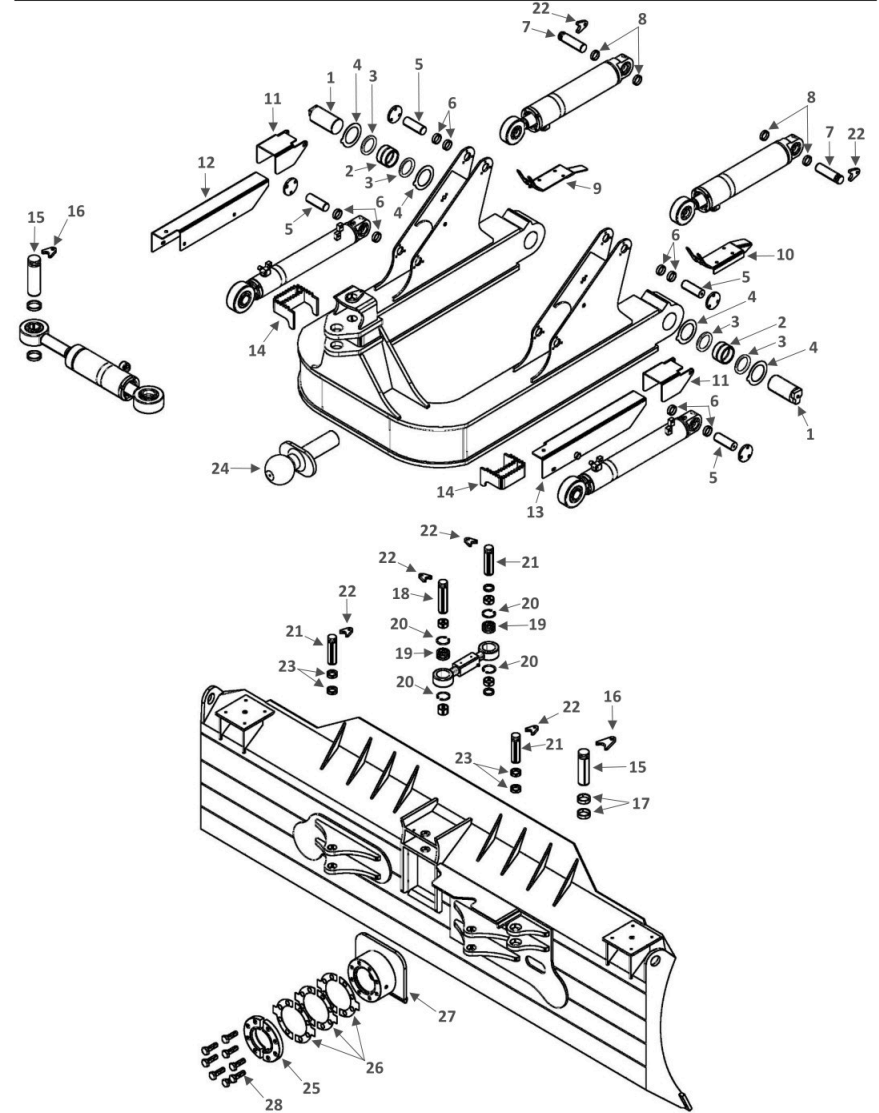
<b>CAT D4H, D5M, D5H, D6M, D6N</b>					
1	3G8932	Pin	Angle Cylinder to Blade	2	4.1
11	124-5741	Pin	Angle Cylinder to C-Frame	2	3.3
	3G8932	Pin	Lift Cylinder to Tractor	2	4.1
			D5H, D6M, D6N Only		

**C29**

2026 Parts Catalog

**BLADE PARTS**

**CAT**



**C30**

2026 Parts Catalog

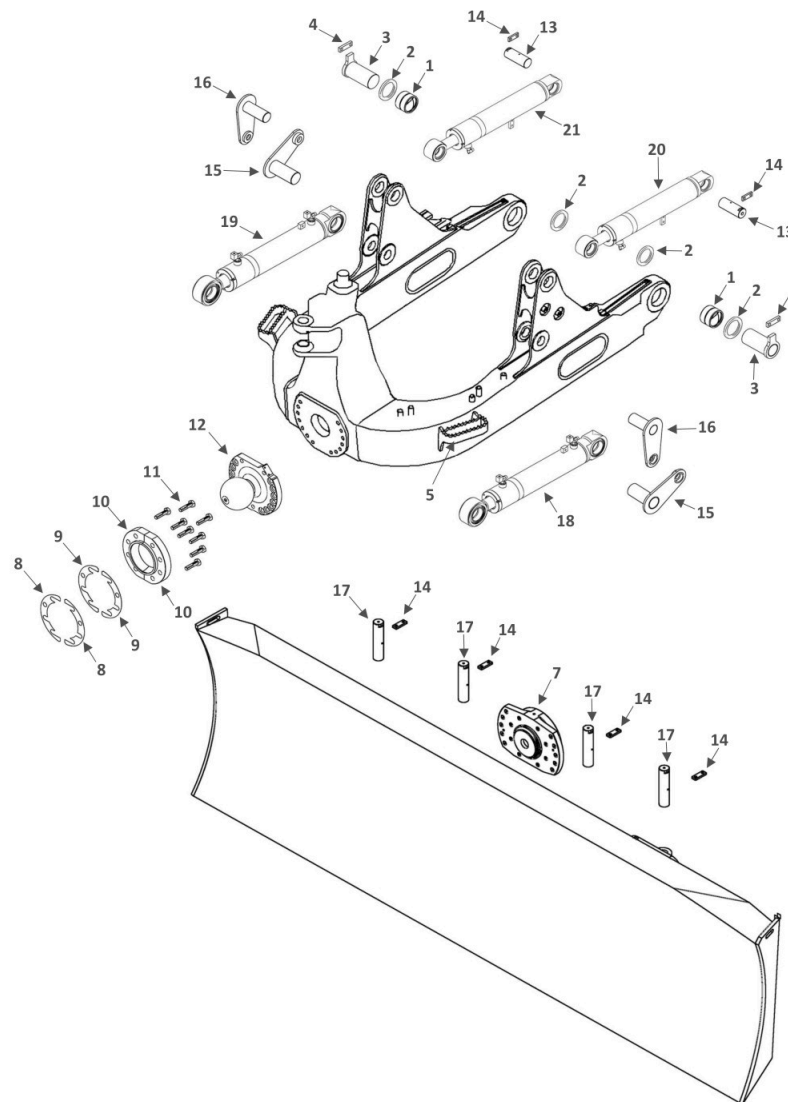
**BLADE PARTS**

**CAT**

Ref.	Part No.	Description	Notes	Qty.	Wt.
<b>CAT D6K (6S6, MP7, ZL), D6K2, D4 NEXT GEN</b>					
1	240-1555	Pin, Rear C-Frame Pivot	<i>D6K2 (RPR, MXK, WMR, RST) Only</i>	2	15.0
2	240-1553	Bushing, Rear C-Frame Pivot		2	1.8
3	7K9210	Seal		4	0.1
4	276-4485	Shim, Rear C-Frame Pivot		4	0.6
5	124-5741	Pin, Angle and Lift Cylinders to C-Frame		4	3.3
6	8G5747	Spacer, Angle and Lift Cylinders to C-Frame		8	0.1
7	3G8932	Pin, Lift Cylinder to Tractor		2	4.1
8	269-4215	Spacer, Lift Cylinder to Tractor		4	0.2
9	374-2060	C-Frame Hose Guard RH		1	4.0
10	374-2061	C-Frame Hose Guard LH		1	4
11	377-8337	Rear Angle Cylinder Hose Guard		2	4.8
12	390-3104	Angle Cylinder Hose Guard, RH	<i>D6K2 (RST, WMR, MXK, RPR) Only</i>	1	
13	390-3110	Angle Cylinder Hose Guard, LH	<i>D6K2 (RST, WMR, MXK, RPR) Only</i>	1	
14	224-0683	Step	<i>Trim to Fit Weldment</i>	2	7.0
15	104-4817	Pin, Tilt Cylinder to C-Frame and Blade		2	11.0
16	223-3279	Pin Retainer, Tilt Cylinder Pins		1	1.3
17	089-8249	Spacer, Tilt Cylinder to Blade		2	0.2
18	473-4512	Pin, Pitch Link to C-Frame		1	6.5
19	8T0333	Bushing, Self Aligning - Pitch Link		2	1.4
20	8T9599	Snap Ring		2	0.05
21	358-2194	Pin, Pitch Link and Angle Cylinders to Blade		3	5.8
22	4T0231	Pin Retainer, Pitch Link, Angle Cylinders, and Lift Cylinder Pins		6	0.5
23	359-3371	Spacer, Angle Cylinders to Blade		4	0.2
	PV5011	Blade Pivot Kit		1	230
24	342-8909	Trunnion Ball		1	67
25	490-1616	Bearing Cap		2	9.5
26	348-6260	Shim		6	0.2
27	456-9700	Socket, Bearing		1	136
28	8T5878	Bolt, M24		8	0.6

**BLADE PARTS**

**KOMATSU**



**C31**

2026 Parts Catalog

**C32**

2026 Parts Catalog


**BLADE PARTS** **KOMATSU**

Ref. Part No.	Description	Notes	Qty.	Wt.
<b>KOMATSU D61EX-23, D61EXi-23, D61PX-23, D61PXi-23, D61EX-24, D61EXi-24, D61PX-24, D61PXi-24</b>				
1	134-72-71850	Bushing - Rear C-Frame Pivot	2	2.5
2	707-77-85010	Seal	4	0.05
3	13Y-72-14240	Pin - C-Frame to Tractor	2	19.0
4	205-70-66580	Lock, Pin Retainer	2	0.3
5	13Y-72-14161	Step, LH	1	7.0
6	13Y-72-14171	Step, RH	1	7.0
	PV5010	Blade Pivot Kit	1	245.0
7	134-72-62442	Bearing, Socket	1	87
8	134-72-72450	Shim, 0.5mm	4	0.1
9	134-72-72460	Shim, 1mm	14	0.2
10	134-72-71151	Cap, Retainer	2	17
11	01011-82405	Bolt	8	0.8
12	134-72-62474	Trunnion Ball	1	114
13	134-72-61521	Pin - Lift Cylinder to Tractor	2	7.5
14	04082-00212	Lock, Pin Retainer	6	0.2
15	13Y-72-24252	Pin - Angle Cylinder to C-Frame	2	8.5
16	13Y-72-24262	Pin - Lift Cylinder to C-Frame	2	11.0
17	13Y-72-14270	Angle and Tilt Cylinders to Blade	4	7.0
18	707-E0-00592	Angle Cylinder, LH	1	140
19	707-E0-00592	Angle Cylinder, RH	1	140
20	707-E0-00610	Lift Cylinder, LH	1	102
21	707-E0-00620	Lift Cylinder, RH	1	102

*For cylinder components see Catalog Section B*

**SECTION D**  
**EXCAVATOR BUCKET LINKAGE,  
 PINS, & BUSHINGS**






**Excavator Side Links**



**Excavator H - Links**



**Pins & Bushings**



**O-Rings & Seals**

[www.paintvalleyequipment.com](http://www.paintvalleyequipment.com)  
 Phone: 877-774-0081

Section D

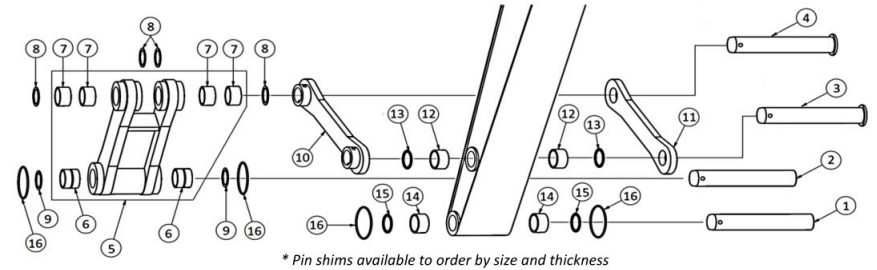
## SECTION D

### EXCAVATOR BUCKET LINKAGE PARTS, PINS, & BUSHINGS

	Page
CASE	D26-D27
CAT	D15-D20
HITACHI	D8-D14
JOHN DEERE	D1-D8
KOBELCO	D24-D26
KOMATSU	D21-D23
EXCAVATOR LINKAGE SHIM & SEAL KITS	D28

## H-LINKS, LINKS, PINS & BUSHINGS

JOHN DEERE



Ref. Part No.	Description	Notes	Qty.	Wt.
<b>JOHN DEERE 70D, 190E</b>				
1	AT200381	Pin	1	8.6
2	TH111893	Pin	1	8.6
3	TH110418	Pin	1	7.1
4	TH110419	Pin	1	11
5	AT200649	H-Link	1	65
6	AT200457	Bushing	2	1
7	AT200451	Bushing	2	2
9	TH106007	Seal	2	0.1
10	TH110924	Link L/H	1	19
11	TH110415	Link R/H	1	15
12	AT200457	Bushing	2	1
13	TH106007	Seal	2	0.1
14	AT200457	Bushing	2	1
15	TH106007	Seal	2	0.1
16	TH112227	O-Ring	4	0.05
4374459	Shim, 45mm x 1mm		UAR	0.1

**H-LINKS, LINKS, PINS & BUSHINGS**

**JOHN DEERE**

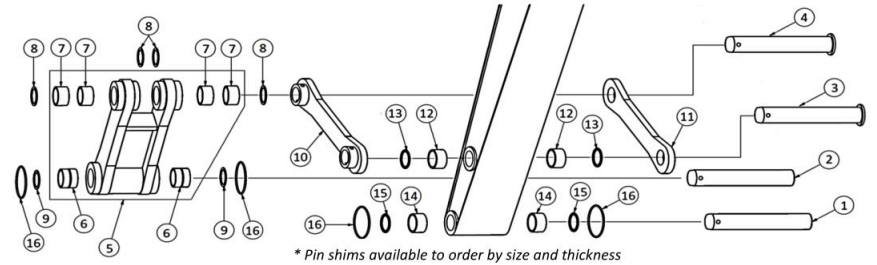
Ref. Part No.	Description	Notes	Qty.	Wt.
<b>JOHN DEERE 490D, 490E, 110, 120</b>				
1	TH108941	Pin	1	24
2	TH108942	Pin	1	24
3	TH108940	Pin	1	21
4	TH108943	Pin	1	21
5	8078142	H-Link	1	152
6	4443879	Bushing	2	1.5
7	4444914	Bushing	2	1.8
8/9	TH100374	Seal	6	0.05
10	9735190	Link L/H	1	32
11	4257933	Link R/H	1	24
12	AT122209	Bushing	2	2
13	TH100374	Seal	2	0.05
14	AT122209	Bushing	2	2
15	TH100374	Seal	2	0.05
16	4276696	O-Ring	4	0.1
FF110020	Shim, 65mm x 1mm		UAR	0.2
<b>JOHN DEERE 120C, 120D, 130G, 130GLC, 130 P, 135C RTS, 135D, 135G, 135 P</b>				
1	3089243	Pin	1	26
2	3089242	Pin	1	26
3	3089106	Pin	1	21
4	3089103	Pin	1	21
5	8078142	H Link	1	152
6	4443879	Bushing	2	1.5
7	4444914	Bushing	2	1.8
8	TH100374	Seal	4	0.05
9	TH100374	Seal	2	0.05
10	9753307	Link L/H	1	32
11	4425937	Link R/H	1	24
12	4344898	Bushing	2	2
13	TH100374	Seal	2	0.05
14	4424953	Bushing	2	1.8
15	TH100374	Seal	2	0.05
16	4276696	O-Ring	4	0.1
FF110020	Shim, 65mm x 1mm		UAR	0.2
<b>JOHN DEERE 690, 690A, 690B, 690C</b>				
1	U45205	Pin	1	30
2	U45205	Pin	1	30
3	U46074	Pin	1	28
4	T35603	Pin	1	29
5	AU43577	H-Link	1	195
6	U43784	Bushing	2	3
7	U45284	Bushing	2	3
10	AU43241	Link L/H	1	58
11	AU43240	Link R/H	1	58
	U45284	Bushing	2	3
	U43784	Bushing	2	3
14	U43784	Bushing	2	3

D2

2026 Parts Catalog

**H-LINKS, LINKS, PINS & BUSHINGS**

**JOHN DEERE**



Ref. Part No.	Description	Notes	Qty.	Wt.
<b>JOHN DEERE 590D, 595D</b>				
1	T144756	Pin	1	42
2	T144757	Pin	1	42
3	AT126130	Pin	1	24
4	T144755	Pin	1	28
5	8083071-72	H-Link	1 pc. - updated link	236
6	4409178	Bushing	2	2.2
7	4352400	Bushing	4	1.4
8	TH104472	Seal	4	0.05
9	TH102446	Seal	2	0.1
10	8037465	Link L/H	1	46
11	3037284	Link R/H	1	38
12	AT122209	Bushing	2	2
13	TH100374	Seal	2	0.05
14	T139507	Bushing	2	2
15	TH102446	Seal	2	0.1
16	TH102444	O-Ring	4	0.05

<b>JOHN DEERE 160LC, 160CLC, 160DLC, 160GLC, 160 P</b>				
1	3088577	Pin	1	42
2	3088580	Pin	1	42
3	3088579	Pin	1	31
4	3091562	Pin	1	28
5	8083071-72	H Link	1 pc.	236
6	4409178	Bushing	2	2.2
7	4352400	Bushing	4	1.4
8	TH104472	Seal	4	0.05
9	TH102446	Seal	2	0.1
10	8082153	Link L/H	1	46

cont'd on next page

D3

2026 Parts Catalog

**H-LINKS, LINKS, PINS & BUSHINGS**

**JOHN DEERE**

Ref. Part No.	Description	Notes	Qty.	Wt.
<b>JOHN DEERE 160LC, 160CLC, 160DLC, 160GLC (cont.)</b>				
11	3076177	Link R/H	1	38
12	4409122	Bushing	2	1.5
13	4084578	Seal	2	0.05
14	4409178	Bushing	2	2.3
15	TH102446	Seal	2	0.1
16	4089028	O-Ring	4	0.05
	FF110021	Shim, 71mmx2mm	UAR	0.4
	FF110022	Shim, 80mm x 2mm	UAR	0.4

<b>JOHN DEERE 690DLC, 690ELC, 200LC</b>				
1	T144756	Pin	<i>Bucket to dipper arm</i>	1 42
2	T144757	Pin	<i>Bucket to H-link</i>	1 42
3	T144755	Pin	<i>Link to dipper</i>	1 28
4	T144754	Pin	<i>Link to cylinder</i>	1 39
5	FF550043	H-Link	<i>Updated link</i>	1 240
6	4443882	Bushing	<i>For updated link only</i>	2 2.2
7	4352398	Bushing	<i>For updated link only</i>	2 1.5
8	TH102446	Seal		4 0.1
9	TH102446	Seal		2 0.1
10	AT147404	Link L/H	<i>(with bolt holes)</i>	1 52
11	T159203	Link R/H		1 45
12	T104249	Bushing		2 1.6
13	TH104472	Seal		2 0.05
14	T139507	Bushing		2 2
15	TH102446	Seal		2 0.1
16	4089028	O-Ring		4 0.05

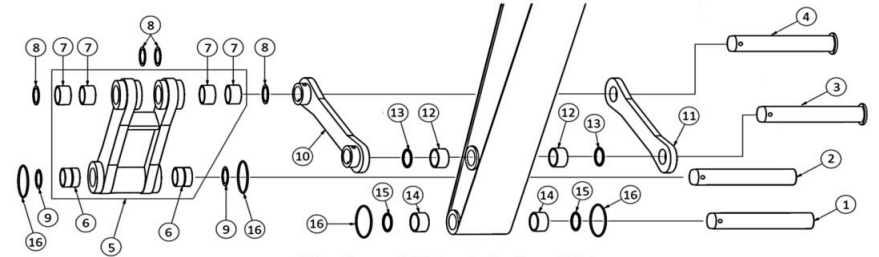
<b>JOHN DEERE 180GLC, 200CLC, 200DLC, 200G, 210G LC, 210 P, 225CLC, 225DLC, 245GLC, 245 P</b>				
1	3088577	Pin	<i>Bucket to dipper arm</i>	1 42
2	3088580	Pin	<i>Bucket to H-link</i>	1 42
3	3088579	Pin	<i>Link to dipper</i>	1 31
4	3088581	Pin	<i>Link to cylinder</i>	1 39
5	FF550043	H-Link		1 240
6	4443882	Bushing		2 2.2
7	4352398	Bushing		4 1.5
8	TH102446	Seal		4 0.1
9	TH102446	Seal		2 0.1
10	8074315	Link L/H	<i>(with bolt holes)</i>	1 52
11	3084173	Link R/H		1 45
12	4409122	Bushing		2 1.5
13	4084578	Seal		2 0.05
14	4409178	Bushing		2 2.3
15	TH102446	Seal		2 0.1
16	4089028	O-Ring		4 0.05
	FF110021	Shim, 71mmx2mm		UAR 0.4
	FF110022	Shim, 80mm x 2mm		UAR 0.4

D4

2026 Parts Catalog

**H-LINKS, LINKS, PINS & BUSHINGS**

**JOHN DEERE**



\* Pin shims available to order by size and thickness

Ref. Part No.	Description	Notes	Qty.	Wt.
<b>JOHN DEERE 790DLC, 790ELC, 230LC</b>				
1	TH110235	Pin	<i>Bucket to dipper arm</i>	1 65
2	TH110236	Pin	<i>Bucket to H-link</i>	1 65
3	TH109810	Pin	<i>Link to dipper</i>	1 47
4	T138885	Pin	<i>Link to cylinder</i>	1 59
5	8081885	H Link	<i>Updated link</i>	1 350
6	4443880	Bushing	<i>For updated link only</i>	2 2.6
7	4358100	Bushing	<i>For updated link only</i>	4 1.8
8	TH102445	Seal		4 0.1
9	TH102445	Seal		2 0.05
10	8050930	Link L/H	<i>(with bolt holes)</i>	1 65
11	3056355	Link R/H		1 55
12	4332285	Bushing		2 3
13	TH102446	Seal		2 0.1
14	4355876	Bushing		2 5
15	TH102445	Seal		2 0.05
16	4089028	O-Ring		4 0.05
<b>JOHN DEERE 230CLC, 240DLC, 250G, 250GLC, 250 P</b>				
1	3088753	Pin	<i>Bucket to dipper arm</i>	1 68
2	3088754	Pin	<i>Bucket to H-link</i>	1 68
3	3088752	Pin	<i>Link to dipper</i>	1 47
4	T138885	Pin	<i>Link to cylinder</i>	1 59
5	8081885	H-Link		1 350
6	4443880	Bushing		2 2.6
7	4358100	Bushing		4 1.8
8	TH102445	Seal		4 0.05
9	TH102445	Seal		2 0.05
10	8082552	Link L/H	<i>(with bolt holes)</i>	1 65
11	3056355	Link R/H		1 55
12	4434036	Bushing		2 3
13	TH102446	Seal		2 0.1
14	4443880	Bushing		2 2.6
15	TH102445	Seal		2 0.05
16	4089028	O-Ring		4 0.05
	4450012	Shim, 80mm x 1mm		UAR 0.2
	FF106008	Shim, 90mm x 1mm		UAR 0.3

D5

2026 Parts Catalog

**H-LINKS, LINKS, PINS & BUSHINGS**

**JOHN DEERE**

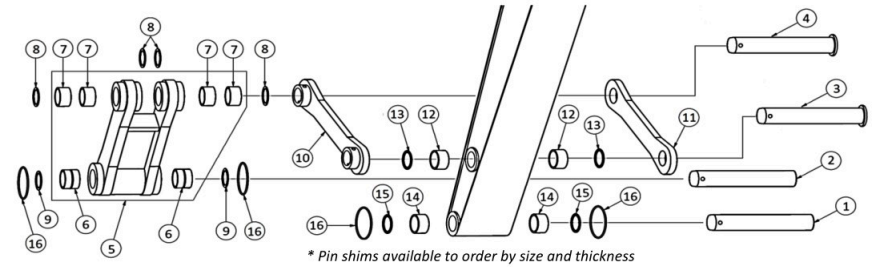
Ref. Part No.	Description	Notes	Qty.	Wt.
<b>JOHN DEERE 792DLC, 270LC</b>				
1	AT217953	Pin	1	65
2	AT205824	Pin	1	65
3	AT205819	Pin	1	48
4	AT205820	Pin	1	61
5	8084924-25	H-Link	1	352
6	4443880	Bushing	2	2.6
7	4397791	Bushing	4	1.8
8/9	TH102445	Seal	6	0.05
10	8065747	Link L/H	1	65
11	3075524	Link R/H	1	55
12	T139496	Bushing	2	2.2
13	TH102446	Seal	2	0.1
14	TH109802	Bushing	2	3
15	TH102445	Seal	2	0.05
16	4089028	O-Ring	4	0.05
<b>JOHN DEERE 270CLC, 270DLC, 290GLC, 300GLC, 300 P</b>				
1	3090166	Pin	1	68
2	3090167	Pin	1	68
3	3090168	Pin	1	48
4	3120934	Pin	1	61
5	8084924-25	H-Link	1	352
6	4443880	Bushing	2	2.6
7	4397791	Bushing	4	1.8
8/9	TH102445	Seal	6	0.05
10	8080569	Link L/H	1	65
11	3075524	Link R/H	1	55
12	4434036	Bushing	2	3
13	TH102446	Seal	2	0.1
14	4443880	Bushing	2	2.6
15	TH102445	Seal	2	0.05
16	4089028	O-Ring	4	0.05
4450012	Shim, 80mm x 1mm		UAR	0.2
FF106008	Shim, 90mm x 1mm		UAR	0.3
<b>JOHN DEERE 892DLC, 892ELC, 330LC, 370</b>				
1	AT164648	Pin	1	85
2	TH112086	Pin	1	85
3	TH111181	Pin	1	64
4	AT192341	Pin	1	93
5	8083063	H-Link	1	390
6	4443885	Bushing	2	3.0
7	4381857	Bushing	2	2.2
8/9	TH102411	Seal	6	0.1
10	8071699	Link L/H	1	78
11	3055521	Link R/H	1	68
12	4358100	Bushing	2	1.8
13	TH102445	Seal	2	0.1
14	4381856	Bushing	2	3.0
15	TH102411	Seal	2	0.1
16	TH103229	O-Ring	4	0.1

D6

2026 Parts Catalog

**H-LINKS, LINKS, PINS & BUSHINGS**

**JOHN DEERE**



Ref. Part No.	Description	Notes	Qty.	Wt.
<b>JOHN DEERE 330CLC, 350DLC, 350GLC, 350 P, 370C, 380GLC, 380 P</b>				
1	3090417	Pin	1	90
2	3090418	Pin	1	85
3	FF551124	Pin	1	48
4	3092037	Pin	1	93
5	8083063	H-Link	1	390
6	4443885	Bushing	2	3.0
7	4381857	Bushing	4	2.4
8	TH102411	Seal	4	0.1
9	TH102411	Seal	2	0.1
10	8071699	Link L/H	1	78
11	3055521	Link R/H	1	68
12	4438771	Bushing	2	2.1
13	TH102445	Seal	2	0.05
14	4443885	Bushing	2	3.0
15	TH102411	Seal	2	0.1
16	4100180	O-Ring	4	0.1
	FF106008	Shim, 90mm x 1mm	UAR	0.3
	FF106001	Shim, 100mm x 1mm	UAR	
<b>JOHN DEERE 992ELC, 400LC, 450LC</b>				
1	AT217077	Pin	1	115
2	AT201693	Pin	1	115
3	3055219	Pin	1	84
4	AT192342	Pin	1	102
5	9206398	H-Link	1	463
6	3060476	Bushing	2	7.5
7	3060476	Bushing	2	7.5
8	AT131682	Seal	4	0.1
9	AT131682	Seal	2	0.1
10	8050178	Link L/H	1	130
11	8050176	Link R/H	1	106
12	TH103214	Bushing	2	2.4
13	TH102411	Seal	2	0.1
15	4251212	Seal	2	0.1
16	4288572	O-Ring	4	0.1

D7

2026 Parts Catalog

**H-LINKS, LINKS, PINS & BUSHINGS**

**JOHN DEERE & HITACHI**

Ref.	Part No.	Description	Notes	Qty.	Wt.
<b>JOHN DEERE 450CLC, 450DLC, 470GLC</b>					
1	3104742	Pin	Bucket to dipper arm	1	115
2	3093215	Pin	Bucket to H-link	1	115
3	3055219	Pin	Link to dipper	1	84
4	DH300061	Pin	Link to cylinder	1	102
5	9206398	H-Link		1	463
6	3060476	Bushing		2	7.5
7	3060476	Bushing		2	7.5
8/9	4251212	Seal		6	0.1
10	8050178	Link L/H	(with bolt holes)	1	130
11	8050176	Link R/H		1	106
12	3026075	Bushing		2	2.4
13	TH102411	Seal		2	0.1
15	4251212	Seal		2	0.1
16	4487682	O-Ring		4	0.1

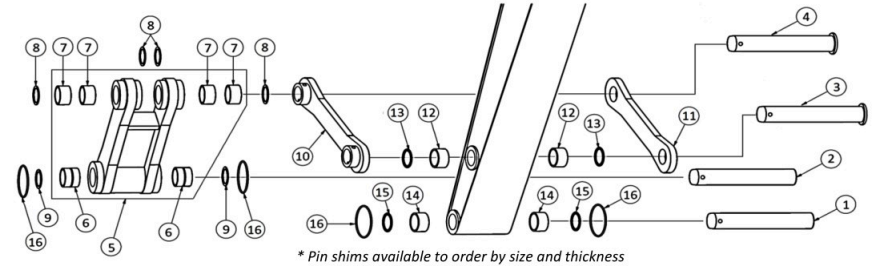
<b>HITACHI EX60-1, EX60-2, EX60-3, EX60-5</b>					
1	3041074	Pin	Bucket to dipper arm	1	8.6
2	3046682	Pin	Bucket to H-link	1	8.6
3	3037349	Pin	Link to dipper	1	7.1
4	3037350	Pin	Link to cylinder	1	11.2
5	8050336	H-Link		1	65
7	4272706	Bushing		2	1
10	8037570	Link L/H	(with bolt holes)	1	19
11	3037342	Link R/H		1	15
13	4094088	Seal		2	0.1
16	4094085	O-Ring		4	0.5
	4374459	Shim, 45mm x 1mm		UAR	0.1

D8

2026 Parts Catalog

**H-LINKS, LINKS, PINS & BUSHINGS**

**HITACHI**



Ref.	Part No.	Description	Notes	Qty.	Wt.
<b>HITACHI EX100-1, EX100-2, EX100-3, EX100-5, EX120-1, EX120-2, EX120-3, EX120-5</b>					
1	3037080	Pin	Bucket to dipper arm	1	24
2	3037081	Pin	Bucket to H-link	1	24
3	3037079	Pin	Link to dipper	1	21
4	3037082	Pin	Link to cylinder	1	20
5	8078142	H-Link	Updated link	1	152
6	4443879	Bushing	For updated link only	2	1.5
7	4444914	Bushing	For updated link only	2	1.8
8	4065687	Seal		4	0.1
9	4065687	Seal		2	0.1
10	9735190	Link L/H	(with bolt holes)	1	32
11	4257933	Link R/H		1	24
12	4188796	Bushing		2	1
13	4065687	Seal		2	0.1
14	4188796	Bushing		2	1
15	4065687	Seal		2	0.1
16	4276696	O-Ring		4	0.1
<b>HITACHI ZX120, ZX120-3, ZX130-5G, ZX130-5N, ZX130-6N, ZX135US, ZX135US-3, ZX135US-5N, ZX135US-6N</b>					
1	3089243	Pin	Bucket to dipper arm	1	26
2	3089242	Pin	Bucket to H-link	1	26
3	3089106	Pin	Link to dipper	1	21
4	3089103	Pin	Link to cylinder	1	21
5	8078142	H Link		1	152
6	4443879	Bushing		2	1.5
7	4444914	Bushing		2	1.8
8	4065687	Seal		4	0.05
9	4065687	Seal		2	0.05
10	9753307	Link L/H	(with bolt holes)	1	32
11	4425937	Link R/H		1	24
12	4344898	Bushing		2	2
13	4065687	Seal		2	0.05
14	4424953	Bushing		2	1.8
15	4065687	Seal		2	0.05
16	4276696	O-Ring		4	0.1
	FF110020	Shim, 65mm x 1mm		UAR	0.2

D9

2026 Parts Catalog

**H-LINKS, LINKS, PINS & BUSHINGS**

**HITACHI**

Ref.	Part No.	Description	Notes	Qty.	Wt.
<b>HITACHI EX150, EX150-5, EX160, EX160-5</b>					
1	3041200	Pin	Bucket to dipper arm	1	42
2	3041201	Pin	Bucket to H-link	1	42
3	3037281	Pin	Link to Dipper EX150	1	24
3	3036971	Pin	Link to Dipper EX150-5, EX160-5	1	28
4	3037280	Pin	Link to Cylinder	1	31
5	8083071-72	H-Link	1 pc. - updated link	1	236
6	4409178	Bushing	For updated link only	2	2.2
7	4352400	Bushing	For updated link only	4	1.4
8	4084578	Seal		2	0.1
9	4067902	Seal		2	0.1
10	8037465	Link L/H	Dipper to cylinder, EX150 (with bolt holes)	1	46
11	3037284	Link R/H	Dipper to cylinder, EX150	1	38
12	4197536	Bushing	Dipper at Link EX150	2	2
13	4065687	Seal	Dipper at Link EX150	2	0.1
10	AP34756	Link L/H	Dipper to cyl, EX150-5, EX160-5 (w/ bolt holes)	1	46
11	P64846	Link R/H	Dipper to cylinder, EX150-5, EX160-5	1	37
12	4196106	Bushing	Dipper at Link EX150-5, EX160-5	2	2
13	4084578	Seal	Dipper at Link EX150-5, EX160-5	2	0.5
14	4196105	Bushing	Dipper at bucket	2	2
15	4067902	Seal	Dipper at bucket	2	0.1
16	4089028	O Ring		4	0.1

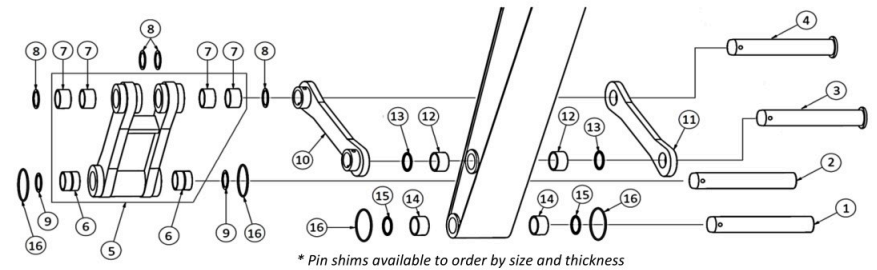
<b>HITACHI ZX160LC, ZX160LC-3, ZX160LC-5G, ZX160LC-5N, ZX160LC-6N</b>					
1	3088577	Pin	Bucket to dipper arm	1	42
2	3088580	Pin	Bucket to H-link	1	42
3	3088579	Pin	Link to dipper	1	31
4	3091562	Pin	Link to cylinder	1	31
5	8083071-72	H Link	1 pc.	1	236
6	4409178	Bushing		2	2.2
7	4352400	Bushing		4	1.4
8	4084578	Seal		4	0.05
9	4067902	Seal		2	0.1
10	8082153	Link L/H	(with bolt holes)	1	46
11	3076177	Link R/H		1	38
12	4409122	Bushing		2	1.5
13	4084578	Seal		2	0.05
14	4409178	Bushing		2	2.3
15	4067902	Seal		2	0.1
16	4089028	O-Ring		4	0.05
	FF110021	Shim, 71mmx2mm		UAR	0.4
	FF110022	Shim, 80mm x 2mm		UAR	0.4

D10

2026 Parts Catalog

**H-LINKS, LINKS, PINS & BUSHINGS**

**HITACHI**



Ref.	Part No.	Description	Notes	Qty.	Wt.
<b>HITACHI EX200-1, EX200-2, EX200-3, EX200-5</b>					
1	3041200	Pin	Bucket to dipper arm	1	42
2	3041201	Pin	Bucket to H-link	1	42
3	3036971	Pin	Link to dipper	1	28
4	3036973	Pin	Link to cylinder	1	39
5	FF550043	H-Link	Updated link	1	240
6	4443882	Bushing	For updated link only	2	2.2
7	4352398	Bushing	For updated link only	2	1.5
8	4067902	Seal		4	0.1
9	4067902	Seal		2	0.1
10	8061523	Link L/H	(with bolt holes)	1	52
11	8061525	Link R/H		1	45
12	4196106	Bushing		2	2
13	4084578	Seal		2	0.05
14	4196105	Bushing		2	2
15	4067902	Seal		2	0.1
16	4089028	O Ring		4	0.1
<b>HITACHI EX220, EX220-1, EX220-3, EX230, EX230-3, EX230-5</b>					
1	3041202	Pin	Bucket to dipper arm	1	65
2	3041203	Pin	Bucket to H-link	1	65
3	3038445	Pin	Link to dipper	1	47
4	3038448	Pin	Link to cylinder	1	55
5	8081885	H-Link	Updated link	1	350
6	4443880	Bushing	For updated link only	2	2.6
7	4358100	Bushing	For updated link only	4	1.8
8	4067901	Seal		4	0.1
9	4067901	Seal		2	0.1
10	8050930	Link L/H	(with bolt holes)	1	65
11	3056355	Link R/H		1	55
12	4203424	Bushing		2	3
13	4067902	Seal		2	0.1
14	4203425	Bushing		2	3
15	4067901	Seal		2	0.1
16	4089028	O Ring		4	0.1

D11

2026 Parts Catalog

**H-LINKS, LINKS, PINS & BUSHINGS**

**HITACHI**

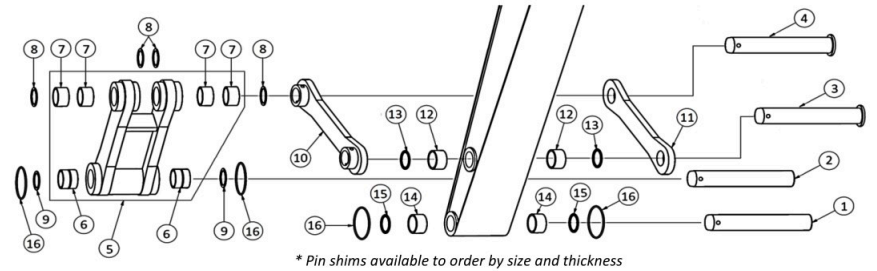
Ref. Part No.	Description	Notes	Qty.	Wt.
<b>HITACHI ZX 180LC-5N, ZX180LC-6N, ZX200,ZX200-3, ZX210LC, ZX210LC-5A, ZX210LC-5G, ZX210LC-5N, ZX210LC-6N, ZX225, ZX245USLC-5N, ZX245USLC-6N</b>				
1	3088577	Pin	1	42
2	3088580	Pin	1	42
3	3088579	Pin	1	31
4	3088581	Pin	1	39
5	8076541	H-Link	1	240
6	4443882	Bushing	2	2.2
7	4352398	Bushing	4	1.5
8/9	4067902	Seal	6	0.1
10	8074315	Link L/H	1	52
11	3084173	Link R/H	1	45
12	4409122	Bushing	2	1.5
13	4084578	Seal	2	0.05
14	4409178	Bushing	2	2.3
15	4067902	Seal	2	0.1
16	4089028	O-Ring	4	0.05
	FF110021	Shim, 71mmx2mm	UAR	0.4
	FF110022	Shim, 80mm x 2mm	UAR	0.4
<b>HITACHI ZX230, ZX230LC, ZX240, ZX240LC-3, ZX250, ZX250LC-5G, ZX250LC-5N, ZX250LC-6N</b>				
1	3088753	Pin	1	68
2	3088754	Pin	1	68
3	3088752	Pin	1	47
4	T138885	Pin	1	59
5	8081885	H-Link	1	350
6	4443880	Bushing	2	2.6
7	4358100	Bushing	4	1.8
8/9	4067901	Seal	6	0.05
10	8082552	Link L/H	1	65
11	3056355	Link R/H	1	55
12	4434036	Bushing	2	3
13	4067902	Seal	2	0.1
14	4443880	Bushing	2	2.6
15	4067901	Seal	2	0.05
16	4089028	O-Ring	4	0.05
	4450012	Shim, 80mm x 1mm	UAR	0.2
	FF106008	Shim, 90mm x 1mm	UAR	0.3
<b>HITACHI EX270, EX270-3, EX270-5</b>				
1	3041202	Pin	1	65
2	3041392	Pin	1	65
3	3038468	Pin	1	48
4	3038473	Pin	1	61
5	8084924-25	H-Link	1	352
6	4443880	Bushing	2	2.6
7	4397791	Bushing	4	1.8
8/9	4067901	Seal	6	0.1
10	8040334	Link L/H	1	65
11	3040205	Link R/H	1	55
12	4196107	Bushing	2	2.2
13	4067902	Seal	2	0.5
14	4203425	Bushing	2	3
15	4067901	Seal	2	0.1
16	4089028	O Ring	4	0.1

D12

2026 Parts Catalog

**H-LINKS, LINKS, PINS & BUSHINGS**

**HITACHI**



Ref. Part No.	Description	Notes	Qty.	Wt.
<b>HITACHI ZX270LC, ZX270LC-3, ZX280LC, ZX290LC, ZX290LC-5G, ZX290LC-5N, ZX300LC-6N</b>				
1	3090166	Pin	1	68
2	3090167	Pin	1	68
3	3090168	Pin	1	48
4	3120934	Pin	1	61
5	8084924-25	H-Link	1	352
6	4443880	Bushing	2	2.6
7	4397791	Bushing	4	1.8
8	4067901	Seal	4	0.05
9	4067901	Seal	2	0.05
10	8080569	Link L/H	1	65
11	3075524	Link R/H	1	55
12	4434036	Bushing	2	3
13	4067902	Seal	2	0.1
14	4443880	Bushing	2	2.6
15	4067901	Seal	2	0.05
16	4089028	O-Ring	4	0.05
	4450012	Shim, 80mm x 1mm	UAR	0.2
	FF106008	Shim, 90mm x 1mm	UAR	0.3
<b>HITACHI EX300-2, EX300-3, EX300-5</b>				
1	3060474	Pin	1	85
2	3041581	Pin	1	85
3	3037539	Pin	1	64
4	3037540	Pin	1	93
5	8083063	H-Link	1	390
6	4443885	Bushing	2	3.0
7	4381857	Bushing	4	2.2
8	4074008	Seal	4	0.1
9	4074008	Seal	2	0.1
10	8050397	Link L/H	1	78
11	3055521	Link R/H	1	68
12	3026076	Bushing	2	2.1
13	4067901	Seal	2	0.1
14	3062204	Bushing	2	3.0
15	4074008	Seal	2	0.1
16	4100180	O Ring	4	0.1

D13

2026 Parts Catalog

**H-LINKS, LINKS, PINS & BUSHINGS**

**HITACHI**

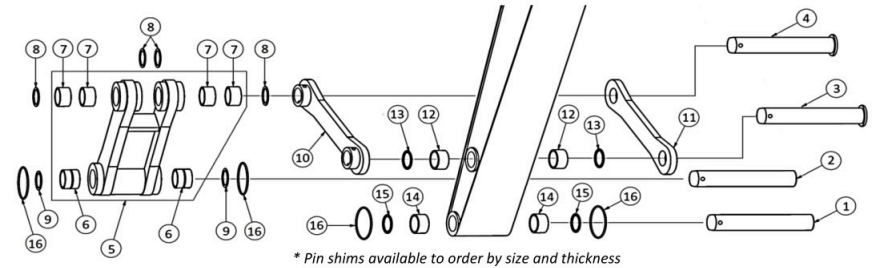
Ref. Part No.	Description	Notes	Qty.	Wt.
<b>HITACHI ZX330LC, ZX350LC, ZX350LC-3, ZX350LC-5A, ZX350LC-5G, ZX350LC-5N, ZX350LC-6N, ZX370, ZX380-5N, ZX380-6N</b>				
1	3090417	Pin	1	90
2	3090418	Pin	1	85
3	3089968	Pin	1	64
4	3092037	Pin	1	93
5	8083063	H-Link	1	390
6	4443885	Bushing	2	3.0
7	4381857	Bushing	4	2.2
8	4074008	Seal	4	0.1
9	4074008	Seal	2	0.1
10	8071699	Link L/H	1	78
11	3055521	Link R/H	1	68
12	4438771	Bushing	2	2.1
13	4067901	Seal	2	0.05
14	4443885	Bushing	2	3.0
15	4074008	Seal	2	0.1
16	4100180	O-Ring	4	0.1
	FF106008	Shim, 90mm x 1mm	UAR	0.3
	FF106001	Shim, 100mm x 1mm	UAR	
<b>HITACHI ZX450LC, ZX450LC-3, ZX470, ZX470LC-5A, ZX470LC-5B, ZX470LC-5G, ZX470LC-6</b>				
1	3104742	Pin	1	115
2	3093215	Pin	1	115
3	3055219	Pin	1	84
4	DH300061	Pin	1	102
5	9206398	H-Link	1	463
6	3060476	Bushing	2	7.5
7	3060476	Bushing	2	7.5
8	4251212	Seal	4	0.1
9	4251212	Seal	2	0.1
10	8050178	Link L/H	1	130
11	8050176	Link R/H	1	106
12	TH103214	Bushing	2	2.4
13	4074008	Seal	2	0.1
15	4251212	Seal	2	0.1
16	4487682	O-Ring	4	0.1

D14

2026 Parts Catalog

**H-LINKS, LINKS, PINS & BUSHINGS**

**CAT**



Ref. Part No.	Description	Notes	Qty.	Wt.
<b>CAT E70, E70B, 307, 307B, 307C, 307SSR</b>				
1	180-7810	Pin	1	10
2	180-7810	Pin	1	10
3	180-7809	Pin	1	11
4	180-7811	Pin	1	11
5	235-3793	H-Link	1	70
6	218-5429	Bushing	2	1
7	218-5197	Bushing	2	1
8	093-1432	Seal	4	0.2
9	093-1430	Seal	2	0.1
10	71-2152	Link L/H	1	16
11	71-2153	Link R/H	1	13
12	242-3740	Bushing	2	1
13	093-1430	Seal	2	0.1
14	242-3740	Bushing	2	1
15	093-1430	Seal	4	0.1
16	093-1341	O Ring	4	0.1
<b>CAT E110B, E120B, 311, 311B, 311C, 312, 312B</b>				
1	144-1013	Pin	1	23
2	144-1013	Pin	1	23
3	144-1012	Pin	1	16
4	144-1012	Pin	1	16
5	168-0015	H-Link	1	120
6	189-3869	Bushing	2	1.8
7	143-3835	Bushing	2	1.5
8	093-1433	Seal	4	0.1
9	096-0131	Seal	2	0.1
10	198-5736	Link L/H	1	23
11	198-5737	Link R/H	1	17
12	229-1095	Bushing	2	1.5
13	093-1433	Seal	2	0.1
14	229-1091	Bushing	2	2.5
15	096-0131	Seal	2	0.1
16	093-1342	O Ring	4	0.1

D15

2026 Parts Catalog

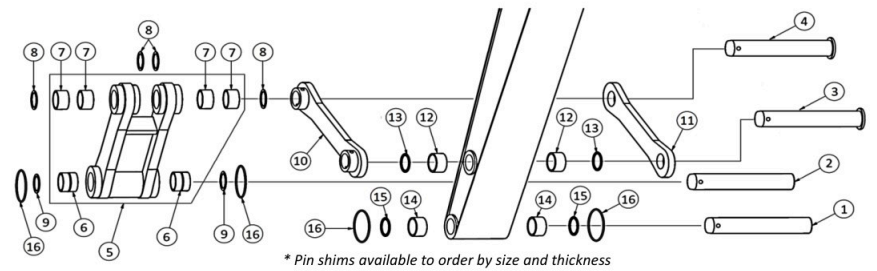
**H-LINKS, LINKS, PINS & BUSHINGS** **CAT**

Ref. Part No.	Description	Notes	Qty.	Wt.
<b>CAT 312C, 312CL</b>				
1, 2	086-0523	Pin	2	23
		<i>Bucket to dipper arm &amp; H-link</i>		
3	716843	Pin	1	16
		<i>Link to dipper</i>		
4	716843	Pin	1	16
		<i>Link to cylinder</i>		
5	168-0015	H-Link	1	120
6	229-1092	Bushing	2	1.8
7	229-1095	Bushing	2	1.5
8	093-1433	Seal	4	0.1
9	096-0131	Seal	2	0.1
10	198-5719	Link L/H	1	23
		<i>(with bolt holes)</i>		
11	198-5720	Link R/H	1	17
12	229-1095	Bushing	2	1.5
13	093-1433	Seal	2	0.1
14	229-1091	Bushing	2	2
15	096-0131	Seal	2	0.1
16	093-1342	O Ring	4	0.1
<b>CAT 311D LRR, 311F LRR, 312D, 312D L, 312D2, 312D2 L, 312D2 GC, 312E, 312E L, 312F, 312F GC, 313 GC (NFZ, JKY, RHB, GYF, HPL, FLK, HFK, KFW), 313D, 313D2, 313D2 GC, 313D2 LGP, 313F, 313F GC, 313F L, 313F LGC, 314C, 314D CR, 314D LCR, 314E CR, 314E LCR, 314F CR, 315F LCR</b>				
1, 2	086-0523	Pin	2	23
3	716843	Pin	1	16
4	248-7820	Pin	1	23
5	282-4503	H-Link, with lifting eye	1	93.6
6	229-1092	Bushing	2	1.8
7	248-7835	Bushing	2	1.5
8	235-7679	Seal	2	0.05
9	248-7836	Seal	2	0.05
10	248-7823	Link L/H	1	24
11	248-7822	Link R/H	1	17.5
12	229-1095	Bushing	2	1.5
13	166-1492	Seal	2	0.05
14	229-1091	Bushing	2	2.5
15	248-7836	Seal	2	0.05
16	367-8465	O-Ring	4	0.1
<b>CAT 315, 315B, 315C, 315L, 315BL, 315CL</b>				
1, 2	150-6528	Pin	2	36
		<i>Bucket to dipper arm &amp; H-link</i>		
3	150-6527	Pin	1	27
		<i>Link to dipper</i>		
4	106-6876	Pin	1	35
		<i>Link to cylinder</i>		
5	180-7634	H-Link	1	229
6	228-5614	Bushing	2	1.9
7	137-2919	Bushing	2	2.8
8	096-0854	Seal	4	0.1
9	093-1434	Seal	2	0.05
10	087-5803	Link L/H	1	43
		<i>(with bolt holes)</i>		
11	087-5802	Link R/H	1	35
12	229-1096	Bushing	2	1.9
13	093-1434	Seal	2	0.05
14	228-5614	Bushing	2	1.9
15	093-1434	Seal	2	0.05
16	102-9976	O Ring	4	0.1

D16

2026 Parts Catalog

**H-LINKS, LINKS, PINS & BUSHINGS** **CAT**



Ref. Part No.	Description	Notes	Qty.	Wt.
<b>CAT 315D, 315DL, 316E, 316EL</b>				
1	106-6878	Pin	1	36
		<i>Bucket to dipper arm</i>		
2	106-6878	Pin	1	36
		<i>Bucket to H-link</i>		
3	106-6877	Pin	1	27
		<i>Link to dipper</i>		
4	106-6876	Pin	1	35
		<i>Link to cylinder</i>		
5	278-9373	H-Link	1	
6	228-5614	Bushing	2	1.9
7	244-4360	Bushing	2	2.6
8	166-1494	Seal	4	0.05
9	235-7679	Seal	2	0.05
10	087-5803	Link L/H	1	43
		<i>(with bolt holes)</i>		
11	087-5802	Link R/H	1	35
12	229-1096	Bushing	2	1.9
13	235-7679	Seal	2	0.05
14	228-5614	Bushing	2	1.9
15	235-7679	Seal	2	0.05
16	367-8466	O Ring	4	0.1
<b>CAT EL200B, 318BL, 318BLN, 320, 320L, 320B, 320BL</b>				
1	087-5805	Pin	1	44
		<i>Bucket to dipper arm</i>		
2	087-5805	Pin	1	44
		<i>Bucket to H-link</i>		
3	087-5806	Pin	1	29
		<i>Link to dipper</i>		
4	087-5845	Pin	1	38
		<i>Link to cylinder</i>		
5	166-1581	H-Link	1	269
6	143-3841	Bushing	2	2
7	137-2919	Bushing	2	2.8
8/9	096-0854	Seal	6	0.1
10	087-5803	Link L/H	1	43
		<i>(with bolt holes)</i>		
11	087-5802	Link R/H	1	35
12	163-3749	Bushing	2	1.9
13	093-1434	Seal	2	0.05
14	137-2919	Bushing	2	2.8
15	096-0854	Seal	2	0.1
16	093-1342	O Ring	4	0.1

D17

2026 Parts Catalog

**H-LINKS, LINKS, PINS & BUSHINGS**

**CAT**

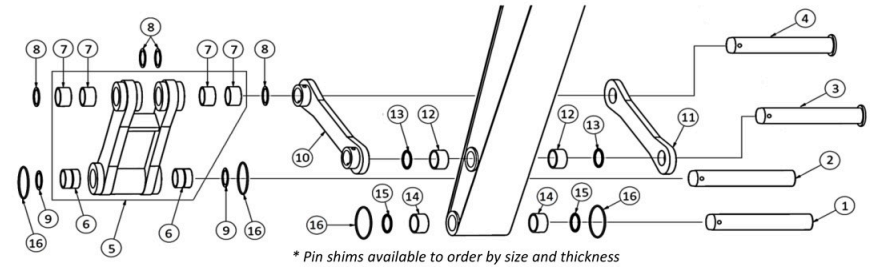
Ref.	Part No.	Description	Notes	Qty.	Wt.
<b>CAT 318C, 318CL, 318CLN, 320C, 320CL, 321C LCR</b>					
1/2	087-5805	Pin	Bucket to dipper arm & H-link	2	44
3	087-5806	Pin	Link to dipper	1	29
4	087-5845	Pin	Link to cylinder	1	38
5	174-8255	H-Link		1	269
6	240-2912	Bushing		2	2.2
7	240-2913	Bushing		2	2.8
8	096-0854	Seal		4	0.1
9	096-0854	Seal		2	0.1
10	087-5803	Link L/H	(with bolt holes)	1	43
11	087-5802	Link R/H		1	35
12	163-3749	Bushing		2	1.9
13	093-1434	Seal		2	0.5
14	137-2919	Bushing		2	2.8
15	096-0854	Seal		2	0.1
16	093-1344	O Ring		4	0.1
<b>CAT 319DL, 319DLN, 320DL, 320EL, 321D LCR</b>					
1/2	087-5805	Pin	Bucket to dipper arm & H-link	2	44
3	254-3052	Pin	Link to dipper	1	39
4	254-3053	Pin	Link to cylinder	1	39
5	260-2289	H-Link		1	269
6	240-2912	Bushing		2	2.2
7	244-4360	Bushing		2	2.6
8	166-1494	Seal		4	0.05
9	166-1494	Seal		2	0.05
10	244-4254	Link L/H	(with bolt holes)	1	70
11	244-4255	Link R/H		1	60
12	229-1096	Bushing		2	1.9
13	235-7679	Seal		2	0.05
14	240-2913	Bushing		2	2.8
15	166-1494	Seal		2	0.05
16	367-8467	O Ring		4	0.1
<b>CAT 322, 322B, 322BL, 322CL</b>					
1/2	087-5805	Pin	Bucket to dipper arm & H-link	2	44
3	186-5732	Pin	Link to dipper	1	30
4	186-5730	Pin	Link to cylinder	1	39
5	178-0964	H-Link		1	269
6	143-3841	Bushing		2	2
7	137-2919	Bushing		2	2.8
8	096-0854	Seal		4	0.1
9	096-0854	Seal		2	0.1
10	102-3271	Link L/H	(with bolt holes)	1	70
11	102-3272	Link R/H		1	60
12	163-3749	Bushing		2	1.9
13	093-1434	Seal		2	0.05
14	129-7768	Bushing		2	2.8
15	096-0854	Seal		2	0.1
16	093-1344	O Ring		4	0.1

**D18**

2026 Parts Catalog

**H-LINKS, LINKS, PINS & BUSHINGS**

**CAT**



Ref.	Part No.	Description	Notes	Qty.	Wt.
<b>CAT 324D, 324DL, 324E, 324EL</b>					
3	186-5732	Pin	Link to dipper	1	30
4	186-5730	Pin	Link to cylinder	1	39
8	166-1494	Seal		4	0.05
12	228-5614	Bushing		2	1.9

Ref.	Part No.	Description	Notes	Qty.	Wt.
<b>CAT 325B, 325L, 325BL, 325C, 325CL</b>					
1	7Y-2357	Pin	Bucket to dipper arm	1	54
2	7Y-2357	Pin	Bucket to H-link	1	54
4	186-5652	Pin	Link to cylinder	1	43
5	186-5653	H-Link		1	349
6	240-2912	Bushing		2	2.2
7	240-2915	Bushing		2	3.2
8	096-0854	Seal		4	0.1
9	096-0854	Seal		2	0.1
10	186-5650	Link L/H	(with bolt holes)	1	77
11	7Y-2392	Link R/H		1	64
12	7Y-3551	Bushing		2	1.9
13	093-1434	Seal		2	0.05
14	240-2913	Bushing		2	2.8
15	096-0854	Seal		2	0.1
16	093-1344	O Ring		4	0.1

**D19**

2026 Parts Catalog

**H-LINKS, LINKS, PINS & BUSHINGS**

**CAT**

Ref.	Part No.	Description	Notes	Qty.	Wt.
<b>CAT 325D, 325DL, 328D LCR, 329D, 329DL, 329E, 329EL</b>					
12	228-5614	Bushing		2	1.9
16	093-1345	O Ring		4	0.1

<b>CAT 330, 330B, 330L, 330BL, 330C, 330CL</b>					
1	7Y-3550	Pin	Bucket to dipper arm	1	75
2	7Y-3549	Pin	Bucket to H-link	1	54
3	189-3922	Pin	Link to dipper	1	35
4	189-3923	Pin	Link to cylinder	1	58
5	212-3002	H-Link		1	375
6	203-7322	Bushing		2	2.2
7	203-7326	Bushing		2	5
8	166-1495	Seal		4	0.2
9	166-1494	Seal		2	0.05
10	189-3878	Link L/H	(with bolt holes)	1	82
11	7Y-3546	Link R/H		1	73
12	7Y-3551	Bushing		2	1.9
13	093-1434	Seal		2	0.05
14	137-2819	Bushing		2	5
15	166-1495	Seal		2	0.2
16	093-1344	O Ring		4	0.1

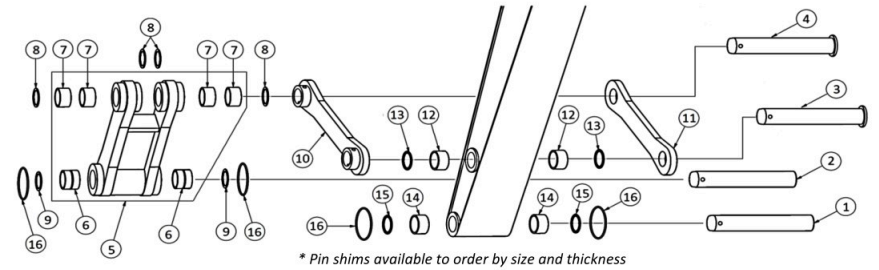
<b>CAT 330D, 330DL, 336D, 336DL, 336E, 336EL</b>					
3	189-3922	Pin	Link to dipper	1	35
9	166-1495	Seal		2	0.2

**D20**

2026 Parts Catalog

**H-LINKS, LINKS, PINS & BUSHINGS**

**KOMATSU**



Ref.	Part No.	Description	Notes	Qty.	Wt.
<b>KOMATSU PC60, PC75, PC75UU</b>					
1	20X-70-24211	Pin	Bucket to dipper arm	1	14
2	20X-70-24211	Pin	Bucket to H-link	1	14
3	20X-70-24260	Pin	Link to dipper	1	11
4	20X-70-24220	Pin	Link to cylinder	1	16
5	20X-70-00220-230	H-Link	1 pc.	1	59
8	07145-00060	Seal		4	0.1
9	07145-00050	Seal		2	0.1
10	20X-70-24120	Link L/H	(with bolt holes)	1	23
11	20X-70-24110	Link R/H		1	26
13	130-09-12931	Seal		2	0.1
15	130-09-12931	Seal		2	0.1
16	175-30-16210	O Ring		2	0.1

<b>KOMATSU PC100, PC120-6</b>					
1	203-70-44380	Pin	Bucket to dipper arm	1	20
2	203-70-44380	Pin	Bucket to H-link	1	20
3	202-70-64151	Pin	Link to dipper	1	20
4	202-70-64161	Pin	Link to cylinder	1	20
5	203-70-00870	H-Link	1 pc.	1	121
6	203-70-56160	Bushing		2	1.5
7	203-70-56140	Bushing		2	1.9
8	07145-00065	Seal		4	0.1
9	07145-00060	Seal		2	0.1
10	202-70-64131	Link R/H	(with bolt holes)	1	29
11	202-70-64121	Link L/H		1	34
12	203-70-56150	Bushing		2	1.5
13	07145-00060	Seal		2	0.1
15	07145-00060	Seal		2	0.1
16	203-70-44470	O-Ring		4	0.1

<b>KOMATSU PC150, PC160</b>					
1	21K-70-23140	Pin	Bucket to dipper arm	1	33
2	21K-70-23140	Pin	Bucket to H-link	1	33
3	21K-70-23220	Pin	Link to dipper	1	31
4	21K-70-23190	Pin	Link to cylinder	1	31

cont'd on next page

**D21**

2026 Parts Catalog

**H-LINKS, LINKS, PINS & BUSHINGS**

**KOMATSU**

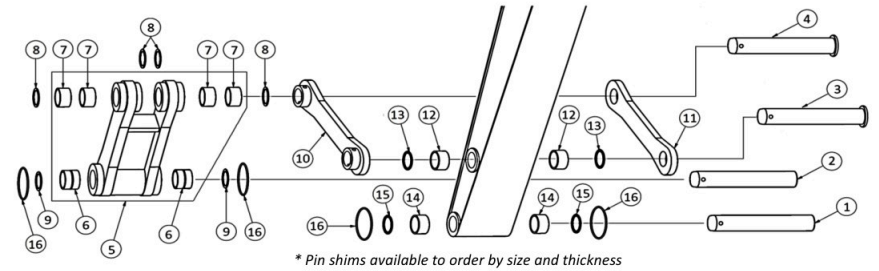
Ref. Part No.	Description	Notes	Qty.	Wt.
<b>KOMATSU PC150, PC160</b>				
5	21K-70-23120	H-Link <i>1 pc design replaces OEM 2 pc links &amp; spacer</i>	1	190
6	21K-70-13150	Bushing	2	2.6
7	21K-70-13150	Bushing	2	2.6
8	21K-70-12180	Seal	4	0.06
9	21K-70-12180	Seal	2	0.06
10	21K-70-23110	Link L/H <i>(with bolt holes)</i>	1	48
11	21K-70-23210	Link R/H	1	42
12	21K-70-12170	Bushing	2	2.6
13	21K-70-12180	Seal	4	0.06
14	21K-70-22130	Bushing	2	3.8
15	21K-70-12180	Seal	4	0.05
16	21K-70-23160	O Ring	4	0.1
<b>KOMATSU PC200, PC210, PC228UU</b>				
1	205-70-73270	Pin <i>Bucket to dipper arm</i>	1	47
2	205-70-73270	Pin <i>Bucket to H-link</i>	1	47
3	205-70-73160	Pin <i>Link to dipper</i>	1	30
4	205-70-73160	Pin <i>Link to cylinder</i>	1	30
5	20Y-70-00070	H-Link	1	287
6	205-70-67150	Bushing	2	2.8
7	205-70-73180	Bushing	2	2.2
8	21K-70-12180	Seal	4	0.06
9	205-70-62140	Seal	2	0.1
10	205-70-73130	Link	1	56
11	205-70-73130	Link	1	56
12	205-70-12170	Bushing	2	2.6
13	21K-70-12180	Seal	2	0.06
14	205-70-72130	Bushing	2	4.2
15	205-70-62140	Seal	2	0.1
16	205-70-73280	O Ring	4	0.1
<b>KOMATSU PC220 &amp; PC240</b>				
1	205-70-73270	Pin <i>Bucket to dipper arm</i>	1	47
2	205-70-73270	Pin <i>Bucket to H-link</i>	1	47
3	206-70-53140	Pin <i>Link to dipper</i>	1	37
4	206-70-53140	Pin <i>Link to cylinder</i>	1	37
5	206-70-00130	H-Link	1	300
6	205-70-67150	Bushing	2	2.8
7	206-70-53150	Bushing	2	2.2
8	205-70-62140	Seal	4	0.1
9	205-70-62140	Seal	2	0.1
10	206-70-57120	Link <i>PC220</i>	1	49
11	206-70-57120	Link <i>PC220</i>	1	49
12	21K-70-12161	Bushing	2	2.8
13	205-70-62140	Seal	2	0.1
14	205-70-72130	Bushing	2	4.2
15	205-70-62150	Seal	2	0.1
16	205-70-73280	O Ring	4	0.1

D22

2026 Parts Catalog

**H-LINKS, LINKS, PINS & BUSHINGS**

**KOMATSU**



Ref. Part No.	Description	Notes	Qty.	Wt.
<b>KOMATSU PC300</b>				
1	207-70-61230	Pin <i>Bucket to dipper arm</i>	1	65
2	207-70-61230	Pin <i>Bucket to H-link</i>	1	65
3	207-70-33140	Pin <i>Link to dipper</i>	1	55
4	207-70-33140	Pin <i>Link to cylinder</i>	1	55
5	207-70-00120	H-Link	1	348
6	207-70-33160	Bushing	2	5
7	207-70-33160	Bushing	2	5
8	205-70-62180	Seal	4	0.1
9	205-70-62180	Seal	4	0.1
10	207-70-33120	Link	1	84
11	207-70-33120	Link	1	84
12	207-70-32150	Bushing	2	3
13	205-70-62180	Seal	2	0.1
14	207-70-61550	Bushing	2	7
15	207-70-12270	Seal	2	0.1
<b>KOMATSU PC400</b>				
3	208-70-33140	Pin <i>Link to dipper</i>	1	76
4	208-70-33140	Pin <i>Link to cylinder</i>	1	76
5	208-70-00121	H-Link	1	408
6	208-70-13141	Bushing	2	4
7	208-70-13141	Bushing	2	4
8	208-70-12230	Seal	4	0.1
9	208-70-12230	Seal	4	0.1
10	208-70-33120	Link	1	110
11	208-70-33120	Link	1	110
12	208-70-13141	Bushing	2	4
13	208-70-12230	Seal	2	0.1

D23

2026 Parts Catalog

**H-LINKS, LINKS, PINS & BUSHINGS**

**KOBELCO**

Ref. Part No.	Description	Notes	Qty.	Wt.
<b>KOBELCO SK60</b>				
1	2419P1664D1	Pin <i>Bucket to dipper arm</i>	1	11
2	2419P1664D1	Pin <i>Bucket to H-link</i>	1	11
3	2419P3428D1	Pin <i>Link to dipper</i>	1	9.4
4	2419P3429D1	Pin <i>Link to cylinder</i>	1	9.4
5	2406P4810D2F1-D1F1	H-Link	1	68
10	2406P4800D2	Link L/H <i>(with bolt holes)</i>	1	20
11	2406P4800D1	Link R/H	1	20

<b>KOBELCO SK100</b>				
1	2419P1657D1	Pin <i>Bucket to dipper arm</i>	1	23
2	2419P1657D1	Pin <i>Bucket to H-link</i>	1	23
3	2419P3417D1	Pin <i>Link to dipper</i>	1	17
4	2419P3416D1	Pin <i>Link to cylinder</i>	1	17
7	2405T847	Bushing	2	1.5
8	2445R138D3	Seal	4	0.1
9	2445R220D1	Seal	2	0.1
12	2405T824	Bushing	2	1.5
13	2445R138D3	Seal	2	0.1
15	2445R220D1	Seal	2	0.1
16	2445Z887	O Ring	4	0.1

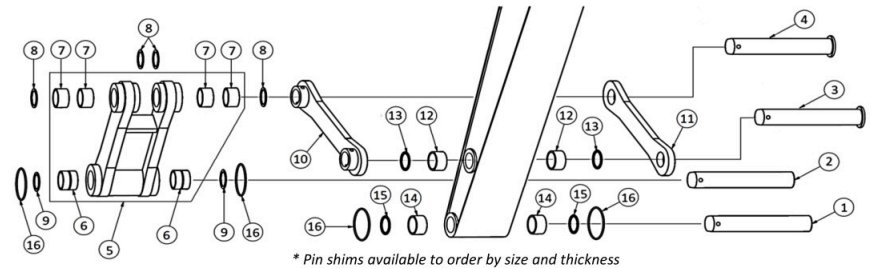
<b>KOBELCO SK115, SK120, SK130, SK135</b>				
1	2419P4031D1	Pin <i>Bucket to dipper arm</i>	1	23
2	2419P4031D1	Pin <i>Bucket to H-link</i>	1	23
3	2419P4050D2	Pin <i>Link to dipper</i>	1	19
4	2419P4049D2	Pin <i>Link to cylinder</i>	1	19
5	2406N795F1	H-Link	1	143
6	2405T825	Bushing	2	1.9
7	2405T824	Bushing	2	1.5
8	2445R138D3	Seal	4	0.1
9	2445R220D2	Seal	2	0.1
10	2406P4866D2	Link L/H <i>(with bolt holes)</i>	1	40
11	2406P4866D1	Link R/H	1	32
12	2405T824	Bushing	2	1.5
13	2445R138D3	Seal	2	0.1
14	2405P472	Bushing	2	3.4
15	2445R220D2	Seal	2	0.1
16	2445Z869	O Ring	4	0.1

**D24**

2026 Parts Catalog

**H-LINKS, LINKS, PINS & BUSHINGS**

**KOBELCO**



Ref. Part No.	Description	Notes	Qty.	Wt.
<b>KOBELCO SK150, SK160</b>				
1	2419P4116	Pin <i>Bucket to dipper arm</i>	1	33
2	2419P4116	Pin <i>Bucket to H-link</i>	1	33
3	2419P4115	Pin <i>Link to dipper</i>	1	24
4	2419P4114	Pin <i>Link to cylinder</i>	1	29
5	2406N1736F1	H-Link <i>SK150 Only</i>	1	178
6	2405T1885	Bushing	2	1.9
7	2405P725	Bushing	2	2.6
8	2445R138D6	Seal	4	0.05
9	2445R220D3	Seal	2	0.05
10	2406P5564	Link L/H <i>(with bolt holes)</i>	1	45
11	2406P5565	Link R/H	1	37
12	2405T1887	Bushing	2	2
13	2445R138D4	Seal	2	0.1
14	2405P726	Bushing	2	3.8
15	2445R220D3	Seal	2	0.05
16	2445Z1570	O-Ring	4	

<b>KOBELCO SK200 Series III IV &amp; V, SK210</b>				
1	2419T3752	Pin <i>Bucket to dipper arm</i>	1	44
2	2419T3752	Pin <i>Bucket to H-link</i>	1	44
3	2419P3381D1	Pin <i>Link to dipper</i>	1	31
4	2419P3266D1	Pin <i>Link to cylinder</i>	1	40
6	2405T951	Bushing	2	3.2
7	2405T1275	Bushing	2	2.2
8	2445R220D4	Seal	4	0.1
9	2445R220D4	Seal	2	0.1
10	2406P4823D1	Link L/H <i>(with bolt holes)</i>	1	53
11	2406P4823D2	Link R/H	1	47
12	B05T0041C2	Bushing	2	2.2
13	2445R220D3	Seal	2	0.05
14	2405T1274	Bushing	2	4.4
15	2445R220D4	Seal	2	0.1
16	2445Z1136	O Ring	4	0.1

**D25**

2026 Parts Catalog

**H-LINKS, LINKS, PINS & BUSHINGS****KOBELCO & CASE**

Ref.	Part No.	Description	Notes	Qty.	Wt.
<b>KOBELCO SK220, SK250, SK270, III IV V</b>					
1	2419T4684D1	Pin	Bucket to dipper arm	1	65
2	2419T4684D1	Pin	Bucket to H-link	1	65
3	2419P3267D1	Pin	Link to dipper	1	31
4	2419P3266D1	Pin	Link to cylinder	1	40
7	2405T1263	Bushing		2	2.8
8	2445R220D4	Seal		4	0.1
9	2445R220D6	Seal		2	0.1
10	2406P4903D1	Link L/H	(with bolt holes)	1	60
11	2406P4903D2	Link R/H		1	53
12	B05T0041C2	Bushing		2	2.2
13	2445R220D3	Seal		2	0.05
14	2405T1293	Bushing		2	4.8
15	2445R220D6	Seal		2	0.1
16	2445Z888	O Ring		4	0.1
<b>KOBELCO SK300 IV</b>					
1	2419P2180	Pin	Bucket to dipper arm	1	75
2	2419P2180	Pin	Bucket to H-link	1	75
3	2419P3748	Pin	Link to dipper	1	59
5	2406N1686F1	H-Link		1	335
8	2445R138D8	Seal		4	0.1
9	2445R220D6	Seal		2	0.1
10	2406P5385D1	Link L/H	(with bolt holes)	1	81
11	2406P5385D2	Link R/H		1	65
13	2445R138D7	Seal		2	0.1
15	2445R220D6	Seal		2	0.1
16	2445Z1003	O Ring		4	0.1
<b>CASE CX210, CX225SR, 9030B</b>					
1	169282A1	Pin	Bucket to dipper arm CX210, CX225SR	1	47
2	169283A1	Pin	Bucket to H-link CX210, CX225SR	1	47
1	160469A1	Pin	Bucket to dipper arm 9030B	1	47
2	153741A1	Pin	Bucket to H-link 9030B	1	47
3	KRV2669	Pin	Link to dipper	1	34
4	KRV3050	Pin	Link to cylinder	1	43
5	KRV3020	H-Link	(160459C1-164514A1)	1	267
6	160447A1	Bushing		2	2.2
7	KRV2670	Bushing		2	3
8	160401A1	Seal		4	0.1
9	159647A1	Seal		2	0.1
10	KRV2717	Link L/H	(with bolt holes)	1	56
11	KRV2716	Link R/H		1	44
13	160400A1	Seal		2	0.05
15	84499640	Seal		2	0.1

D26

2026 Parts Catalog

**H-LINKS, LINKS, PINS & BUSHINGS****CASE**

Ref.	Part No.	Description	Notes	Qty.	Wt.
<b>CASE CX330, CX350 (heavy duty option)</b>					
1	KSV1419	Pin	Bucket to dipper arm	1	65
2	KSV1420	Pin	Bucket to H-link	1	65
3	KSV1414	Pin	Link to dipper	1	Not Available
5	KSV1449	H-Link		1	377
6	KSV1412	Bushing		2	3
7	KSV1411	Bushing		2	4
9	159648A1	Seal		2	0.05
10	KSV1451	Link L/H	(with bolt holes)	1	90
11	KSV1450	Link R/H		1	71
13	160401A1	Seal		2	0.05
15	159648A1	Seal		2	.05
<b>CASE CX130, CX135SR</b>					
1	169278A1	Pin	Bucket to dipper arm	1	23
2	169279A1	Pin	Bucket to H-link	1	23
<b>CASE CX160</b>					
1	169280A1	Pin	Bucket to dipper arm	1	44
2	169281A1	Pin	Bucket to H-link	1	44
<b>CASE CX240, CX290</b>					
1	169284A1	Pin	Bucket to dipper arm	1	65
2	169285A1	Pin	Bucket to H-link	1	65
<b>CASE 9010, 9010B</b>					
1	153704A1	Pin	Bucket to dipper arm	1	23
2	153705A1	Pin	Bucket to H-link	1	23
<b>CASE 9020, 9020B</b>					
1	157149A1	Pin	Bucket to dipper arm	1	44
2	157148A1	Pin	Bucket to H-link	1	44
<b>CASE 9040, 9040B, 9045, 9045B</b>					
1	159459A1	Pin	Bucket to dipper arm	1	65
2	153653A1	Pin	Bucket to H-link	1	65
<b>CASE 9050, 9050B</b>					
1	169286A1	Pin	Bucket to dipper arm	1	65
2	169287A1	Pin	Bucket to H-link	1	65

D27

2026 Parts Catalog

**Shim & Seal Kits, Excavator Linkage**

Ref. Part No.	Description	Notes
	<b>JOHN DEERE 120C, 120D, 130G, 130GLC, 130 P, 135C, 135D, 135G, 135 P, HITACHI EX100, EX120, ZX120, ZX130, ZX135US</b>	
PV7000	Shim & Seal Kit, Excavator Linkage	
	<b>JOHN DEERE 160LC, 160CLC, 160DLC, 160GLC, 160 P, HITACHI EX150-5, EX160, ZX160</b>	
PV7001	Shim & Seal Kit, Excavator Linkage	
	<b>JOHN DEERE 180GLC, 200CLC, 200DLC, 200G, 210G, 210GLC, 210 P, 225CLC, 225DLC, 245GLC, 245 P, HITACHI EX200, ZX180, ZX200, ZX210, ZX225, ZX245</b>	
PV7002	Shim & Seal Kit, Excavator Linkage	
	<b>JOHN DEERE 230CLC, 250G, 250GLC, 250 P</b>	
PV7003	Shim & Seal Kit, Excavator Linkage	
	<b>JOHN DEERE 270CLC, 270DLC, 290GLC, 300GLC, 300 P</b>	
PV7004	Shim & Seal Kit, Excavator Linkage	
	<b>JOHN DEERE 330CLC, 350DLC, 350GLC, 350 P, 370C, 380GLC, 380 P, HITACHI EX300, ZX330, ZX350, ZX370, ZX380</b>	
PV7005	Shim & Seal Kit, Excavator Linkage	
	<b>HITACHI ZX230, ZX240, ZX250, EX270, ZX270, ZX280, ZX290, ZX300</b>	
PV7006	Shim & Seal Kit, Excavator Linkage	
	<b>KOMATSU PC60, PC75, PC75UU</b>	
PV7007	Shim & Seal Kit, Excavator Linkage	
	<b>KOMATSU PC100, 120-6</b>	
PV7008	Shim & Seal Kit, Excavator Linkage	
	<b>KOMATSU PC150, PC160</b>	
PV7009	Shim & Seal Kit, Excavator Linkage	
	<b>KOMATSU PC200, PC210, PC228UU</b>	
PV7010	Shim & Seal Kit, Excavator Linkage	
	<b>KOMATSU PC220, PC240</b>	
PV7011	Shim & Seal Kit, Excavator Linkage	
	<b>CAT E70, E70B, 307, 307B, 307C, 307SSR</b>	
PV7012	Shim & Seal Kit, Excavator Linkage	
	<b>CAT E110B, E120B, 311, 311B, 311C, 312, 312B, 312C, 312CL</b>	
PV7013	Shim & Seal Kit, Excavator Linkage	
	<b>CAT 311D LRR, 311F LRR, 312D, 312DL, 312D2, 312D2 L, 312D2 GC, 312E, 312E L, 312F, 312F GC, 313GC (NFZ, JKY, RHB, GYF, HPL, FLK, HFK, KFW), 313D, 313D2, 313D2 GC, 313D2 LGP, 313F, 313F GC, 313F L, 313F LGC, 314C, 314D CR, 314D LCR, 314E CR, 314E LCR, 314F CR, 315F LCR</b>	
PV7014	Shim & Seal Kit, Excavator Linkage	
	<b>CAT 315, 315B, 315C, 315L, 315BL, 315CL</b>	
PV7015	Shim & Seal Kit, Excavator Linkage	
	<b>CAT 315D, 315DL, 316E, 316EL</b>	
PV7016	Shim & Seal Kit, Excavator Linkage	
	<b>CAT EL200B, 318BL, 318BLN, 320, 320L, 320B, 320BL</b>	
PV7017	Shim & Seal Kit, Excavator Linkage	
	<b>CAT 318C, 318CL, 318C LN, 320C, 320CL, 321C LCR, 322, 322B, 322BL, 322CL, 325B, 325L, 325BL, 325C, 325CL</b>	
PV7018	Shim & Seal Kit, Excavator Linkage	
	<b>CAT 319DL, 319DLN, 320DL, 320EL, 321D LCR</b>	
PV7019	Shim & Seal Kit, Excavator Linkage	
	<b>CAT 330, 330B, 330BL, 330C, 330CL</b>	
PV7020	Shim & Seal Kit, Excavator Linkage	
	<b>CAT 324D, 324DL, 324E, 324EL</b>	
PV7021	Shim & Seal Kit, Excavator Linkage	
	<b>CAT 325D, 325DL, 328D LCR, 329D, 329DL, 329E, 329EL</b>	
PV7022	Shim & Seal Kit, Excavator Linkage	

D28

2026 Parts Catalog

**SECTION E**  
**WHEEL LOADER LINKAGE,**  
**BELLCRANKS, PINS,**  
**& BUSHINGS**

Section E



Wheel Loader Bucket Links

Bellcranks

Pins & Bushings

[www.paintvalleyequipment.com](http://www.paintvalleyequipment.com)

Phone: 877-774-0081

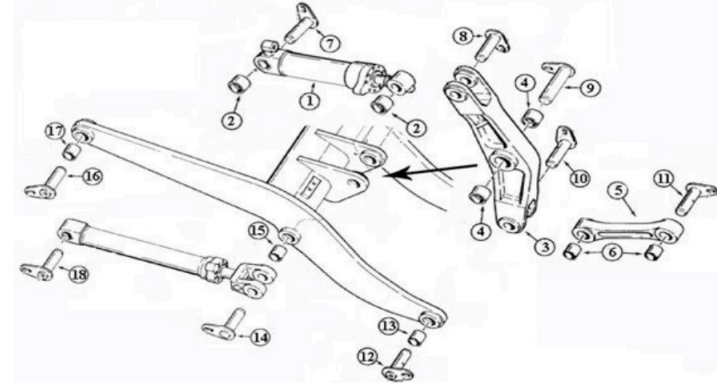
**SECTION E**

**WHEEL LOADER LINKS, BELLCRANKS, PINS, & BUSHINGS**

	Page
CASE	E1, E2
CAT	E5
JOHN DEERE	E2-E4

**BELLCRANKS, LINKS, PINS, & BUSHINGS**

CASE



Ref.	Part No.	Description	Notes	Qty.	Wt.
<b>CASE 621, 621B, (621C W/ Z-BAR LOADER)</b>					
1	339921A1	Tilt Cylinder	Loader Bucket	1	312
2	L127014	Bushing		2	2.4
	1543306C1	Seal Kit		1	0.1
<b>CASE 821, 821B, 821C</b>					
	229402A1	Steering Cylinder		2	71
<b>CASE 621, 621B, 621C, 721, 721B, 721C</b>					
3	232194A1	Bellcrank	With center bushings L118709	1	450
5	L118759	Link	Bellcrank to Bucket	1	124
6	L127015	Bushing		2	2.2
7/8	L118674	Pin	Tilt Cylinder Both Ends	2	25
9	L118672	Pin	Center Bellcrank	1	45
10/11/12	225775A1	Pin	Bellcrank to Link & Bucket Pins	4	22
13/15	L127015	Bushing	Loader Lift Frame	4	2.2
16	L118674	Pin	Loader Lift Frame To Machine	2	25
17	L127014	Bushing	Loader Lift Frame To Machine	2	2.4
18	225775A1	Pin	Lift Cylinder Tube End	2	22
<b>CASE 621D</b>					
5	372960A2	Link	Bellcrank to Bucket	1	162
<b>CASE 821, 821B, 821C</b>					
3	L130049	Bellcrank	With center bushings L125971	1	617
5	L128196	Link	Bellcrank to Bucket	1	128
6	L125957	Bushing		2	2.2
7	L118674	Pin	Tilt Cylinder to Machine	1	25
8	L125176	Pin	Tilt Cylinder to Bellcrank	1	25
9	L125016	Pin	Center Bellcrank	1	57
10/11/12	225775A1	Pin	Bellcrank to Link & Bucket Pins	4	22
14	L125176	Pin	Lift Cylinder to Loader Lift Frame	2	25

**BELLCRANKS, LINKS, PINS, & BUSHINGS**

**CASE & JOHN DEERE**

Ref.	Part No.	Description	Notes	Qty.	Wt.
<b>CASE 921, 921B, 921C</b>					
3	L129924	Bellcrank	<i>With center bushings</i>	1	1146
5	L129925	Link	<i>Bellcrank to Bucket</i>	1	151
6	L129906	Bushing		2	3.2
<b>CASE 921E</b>					
3	87664597	Bellcrank	<i>With center bushings</i>	1	1146
5	L129925	Link	<i>Bellcrank to Bucket</i>	1	151
6	87613422	Bushing		2	3.2
<b>JOHN DEERE 344E</b>					
3	AT122464	Bellcrank	<i>With center bushings</i>	1	344
4	AT122209	Bushing		2	2
5	AT122465	Link	<i>Bellcrank to Bucket, with bushings</i>	1	80
6	AT122208	Bushing		2	1.7
8	AT122438	Pin	<i>Cylinder to Bellcrank</i>	1	9.25
10	AT122439	Pin	<i>Link to Bellcrank</i>	1	8.1
11	AT121740	Pin	<i>Link to Bucket</i>	1	8.1
12	AT122436	Pin	<i>Bottom Bucket Pins</i>	2	8.1
<b>JOHN DEERE 344G</b>					
3	AT172642	Bellcrank	<i>With center bushings</i>	1	344
4	AT122209	Bushing		2	2
5	AT204679	Link	<i>Bellcrank to Bucket, with bushings</i>	1	80
6	AT203998	Bushing		2	1.7
8	AT204623	Pin	<i>Cylinder to Bellcrank</i>	1	9.25
10	AT204627	Pin	<i>Link to Bellcrank</i>	1	8.1
11	AT204626	Pin	<i>Link to Bucket</i>	1	8.1
12	AT204625	Pin	<i>Bottom Bucket Pins</i>	2	8.1
<b>JOHN DEERE 444E</b>					
3	AT121754	Bellcrank	<i>With center bushings</i>	1	406
4	AT121215	Bushing		2	1.6
5	AT157664	Link	<i>Bellcrank to Bucket, with bushings</i>	1	113
6	AT121218	Bushing		2	1.7
8	AT121738	Pin	<i>Cylinder to Bellcrank</i>	1	9.25
9	AT121741	Pin	<i>Center Bellcrank</i>	1	22
10	AT121740	Pin	<i>Link to Bellcrank</i>	2	8.1
11	AT121739	Pin	<i>Link to Bucket</i>	1	8.1
12	AT121737	Pin	<i>Bottom Bucket Pins</i>	2	8.1
<b>JOHN DEERE 444G</b>					
3	AT172643	Bellcrank	<i>With center bushings</i>	1	406
4	AT121215	Bushing		2	1.6
5	AT204681	Link	<i>Bellcrank to Bucket, with bushings</i>	1	113
6	AT204148	Bushing		2	1.7
8	AT204640	Pin	<i>Cylinder to Bellcrank</i>	1	9.25
9	AT204642	Pin	<i>Center Bellcrank</i>	1	22
10	AT204626	Pin	<i>Link to Bellcrank</i>	2	8.1
11	AT204643	Pin	<i>Link to Bucket</i>	1	8.1
12	AT204625	Pin	<i>Bottom Bucket Pins</i>	2	8.1

E2

2026 Parts Catalog

**BELLCRANKS, LINKS, PINS, & BUSHINGS**

**JOHN DEERE**

Ref.	Part No.	Description	Notes	Qty.	Wt.
<b>JOHN DEERE 444H</b>					
3	AT208546	Bellcrank	<i>With center bushings</i>	1	375
4	T168641	Bushing		2	6.5
5	AT203518	Link	<i>Bellcrank to Bucket, with bushings</i>	1	118
6	T157077	Bushing		2	2.4
8	AT207505	Pin	<i>Cylinder to Bellcrank</i>	1	13
9	AT207507	Pin	<i>Center Bellcrank</i>	1	32
10	AT207504	Pin	<i>Link to Bellcrank</i>	1	12
11	AT207504	Pin	<i>Link to Bucket</i>	1	12
12	AT203599	Pin	<i>Bottom Bucket Pins</i>	2	7.6
<b>JOHN DEERE 444J, 444K</b>					
3	AT396246	Bellcrank	<i>With center bushings</i>	1	375
4	T168641	Bushing		2	6.5
5	AT396248	Link	<i>Bellcrank to Bucket, with bushings</i>	1	118
6	T157077	Bushing		2	2.4
8	AT207505	Pin	<i>Cylinder to Bellcrank</i>	1	13
9	AT207507	Pin	<i>Center Bellcrank</i>	1	32
10	AT207504	Pin	<i>Link to Bellcrank</i>	1	12
11	AT308030	Pin	<i>Link to Bucket</i>	1	12
12	AT308023	Pin	<i>Bottom Bucket Pins</i>	2	7.6
<b>JOHN DEERE 544E, 544G</b>					
3	AT103584	Bellcrank	<i>With center bushings</i>	1	558
5	AT102223	Link	<i>Bellcrank to Bucket, with bushings</i>	1	140
8	AT102228	Pin	<i>Cylinder to Bellcrank</i>	1	17
9	AT102356	Pin	<i>Center Bellcrank</i>	1	39
10	AT102224	Pin	<i>Link to Bellcrank</i>	2	15
11	AT102224	Pin	<i>Link to Bucket</i>	2	15
12	AT115976	Pin	<i>Bottom Bucket Pins</i>	2	10
<b>JOHN DEERE 544H</b>					
5	AT207079	Link	<i>Bellcrank to Bucket, with bushings</i>	1	144
6	T171793	Bushing		2	2.8
8	AT207321	Pin	<i>Cylinder to Bellcrank</i>	1	18
10	AT207321	Pin	<i>Link to Bellcrank</i>	2	18
11	AT207321	Pin	<i>Link to Bucket</i>	1	18
12	AT207051	Pin	<i>Bottom Bucket Pins</i>	2	13
<b>JOHN DEERE 544J</b>					
5	AT307535	Link	<i>Bellcrank to Bucket, with bushings</i>	1	144
6	T171793	Bushing		2	2.8
8	AT207321	Pin	<i>Cylinder to Bellcrank</i>	1	18
10	AT207321	Pin	<i>Link to Bellcrank</i>	2	18
11	AT308031	Pin	<i>Link to Bucket</i>	1	18
12	AT301543	Pin	<i>Bottom Bucket Pins</i>	2	13
<b>JOHN DEERE 624E, 624G</b>					
3	AT103927	Bellcrank	<i>With center bushings</i>	1	630
5	AT103926	Link	<i>Bellcrank to Bucket, with bushing (624E)</i>	1	138
6	T102950	Bushing		2	3.8
5	AT143570	Link	<i>Bellcrank to Bucket, with bushing (624G)</i>	1	138
6	T102950	Bushing		2	3.8
8	AT102827	Pin	<i>Cylinder to Bellcrank</i>	1	24
10	AT102827	Pin	<i>Link to Bellcrank</i>	1	24
11	AT102827	Pin	<i>Link to Bucket</i>	2	24
12	AT103277	Pin	<i>Bottom Bucket Pins</i>	2	15

E3

2026 Parts Catalog

**BELLCRANKS, LINKS, PINS, & BUSHINGS****JOHN DEERE**

Ref.	Part No.	Description	Notes	Qty.	Wt.
<b>JOHN DEERE 624H</b>					
5	AT207688	Link	Bellcrank to Bucket, with bushings	1	162
6	T102950	Bushing		2	3.8
8	AT207718	Pin	Cylinder to Bellcrank	1	25
10	AT210275	Pin	Link to Bellcrank	1	24
11	AT210275	Pin	Link to Bucket	1	24
12	AT207924	Pin	Bottom Bucket Pins	2	15
<b>JOHN DEERE 624J, 624K</b>					
5	AT307538	Link	Bellcrank to Bucket, with bushings	1	162
6	T102950	Bushing	Used with AT307538 link	2	3.8
8	AT207718	Pin	Cylinder to Bellcrank	1	25
10	AT102827	Pin	Link to Bellcrank ( Old # 210275)	2	24
11	AT308025	Pin	Link to Bucket	1	24
12	AT308032	Pin	Bottom Bucket Pins	2	15
<b>JOHN DEERE 644E, 644G</b>					
5	AT102753	Link	Bellcrank to Bucket, w/ bushings (644E)	1	201
6	T101718	Bushing		2	4
5	AT149437	Link	Bellcrank to Bucket, w/ bushings (644G)	1	201
6	T101718	Bushing		2	4
8	AT102751	Pin	Cylinder to Bellcrank	1	31
10	AT102752	Pin	Link to Bellcrank	1	26
11	AT102752	Pin	Link to Bucket	1	26
12	AT115977	Pin	Bottom Bucket Pins	2	18
<b>JOHN DEERE 644H</b>					
5	AT209081	Link	Bellcrank to Bucket, with bushings	1	176
6	R85556	Bushing		2	4
8	AT219746	Pin	Cylinder to Bellcrank	1	31
10	AT219746	Pin	Link to Bellcrank	2	31
11	AT219746	Pin	Link to Bucket	1	31
12	AT208975	Pin	Bottom Bucket Pins	2	18
<b>JOHN DEERE 644J</b>					
5	AT307549	Link	Bellcrank to Bucket, with bushings	1	176
6	R85556	Bushing		2	4
8	AT219746	Pin	Cylinder to Bellcrank	1	31
10	AT219746	Pin	Link to Bellcrank	2	31
11	AT219746	Pin	Link to Bucket	1	31
12	AT208975	Pin	Bottom Bucket Pins	2	18
<b>JOHN DEERE 744H, 744J</b>					
	AT202994	Bucket Link		1	238
	T156346	Bushing		2	5.6
	AT202938	Pin	Cylinder to Bellcrank	1	44
	AT202724	Pin	Link to Bellcrank	1	38
	AT202724	Pin	Link to Bucket	1	38
	AT206731	Pin	Bottom Bucket Pins	2	22

E4

2026 Parts Catalog

**BUCKET LINKS & PINS****CAT**

Ref.	Part No.	Description	Notes	Qty.	Wt.
<b>CAT 924F, 924G</b>					
	4V8641	Bucket Link		1	88
	4V8663	Pin	Link to Bucket	1	9.2
	4V8661	Pin	Link to Bellcrank	1	9.6
	4V8661	Pin	Bellcrank to Cylinder	1	9.6
	4V9901	Pin	Loader Frame to Bucket	2	8.2
<b>CAT 926E, 928F</b>					
	4V4468	Bucket Link		1	101
	4V3603	Pin	Link to Bucket	1	12
	4V3603	Pin	Link to Bellcrank	1	12
	4V3603	Pin	Bellcrank to Cylinder	1	12
	4V2588	Pin	Loader Frame to Bucket	2	8.6
<b>CAT 928G</b>					
	113-3797	Bucket Link		1	109
	128-0285	Pin	Link to Bucket	1	14
	128-0285	Pin	Link to Bellcrank	1	14
	128-0285	Pin	Bellcrank to Cylinder	1	14
	118-0869	Pin	Loader Frame to Bucket	2	13
<b>CAT 936E, 936F, 938F</b>					
	4V2881	Bucket Link		1	107
	4V3619	Pin	Link to Bucket	1	14
	4V3619	Pin	Link to Bellcrank	1	14
	4V3619	Pin	Bellcrank to Cylinder	1	14
	4V2588	Pin	Loader Frame to Bucket	2	8.6
<b>CAT 938G, 938H</b>					
	193-0953	Bucket Link		1	107
	4V3619	Pin	Link to Bucket	1	14
	4V3619	Pin	Link to Bellcrank	1	14
	4V3619	Pin	Bellcrank to Cylinder	1	14
	4V2588	Pin	Loader Frame to Bucket	2	8.6
<b>CAT 950E, 950F</b>					
	5V1530	Bucket Link		1	128
	5V1508	Pin	Link to Bellcrank	1	23
	5V1508	Pin	Bellcrank to Cylinder	1	23
<b>CAT 950G, 950H</b>					
	127-6371	Bucket Link		1	128
	5V1508	Pin	Link to Bellcrank	1	23
	5V1508	Pin	Bellcrank to Cylinder	1	23
<b>CAT 924G, 924GZ, 924H, 924HZ</b>					
	148-7798	Bucket Link		1	91
	148-7872	Pin	Link to Bucket	1	9.2
	148-7873	Pin	Link to Bellcrank	1	12
	148-7873	Pin	Bellcrank to Cylinder	1	12
	148-7871	Pin	Loader Frame to Bucket	2	8.2

E5

2026 Parts Catalog

We are excited to announce a significant expansion in our Cat D6K inventory, offering a full range of products designed for D6K Cat Dozer machines. Our new products ensure durability, efficiency, and ease of installation, supporting the long-term performance of your D6K Dozer.

New Cat D6K products:



**374-2061**  
Lift Cylinder for Cat D6K (NCF, DHA, FBH, HMG), D6K2 (MXK, RPR, RST, WMR) Dozer

**239-1256**  
Pin for Cat D6K (6S6, NCF, DHA, FBH, HMG), D6K2 (MXK, EL7, MGM, RPR, 7P6, JTR, RST, DFR, WMR) Dozer

**384-7355 / 384-7358**  
Cover, RH Outer/Inner for Cat D6K (DHA, FBH), D6K2 (RST, MXK, RPR, WMR) Dozer

**240-1555**  
Pin for Cat D6K (FBH, DHA, NCF, HMG), D6K2 (RPR, MXK, WMR, RST) Dozer

**382-6529**  
Yoke for Cat D6K, D6K2 Dozer

**223-3279**  
Retainer, Pin for Cat D6K, D6K2, D4, D5, D5M, D5N, D5R, D5R2, D6M, D6N, D6R III, D6T Dozer

**380-7989**  
Chain Guide, Center for Cat D6K (DHA, FBH), D6K2, D4 Next Gen Dozer

**475-9196, 475-9197, 475-9198, & 475-9199**  
Wear Plate, RH/LH for Cat D6K (DHA, FBH), D6K2 (RST, WMR, MXK, RPR) Dozer

**382-6505 / 382-6506**  
Guard, Rear RH/LH for Cat D6K, D6K2, D4 Next Gen Dozer

**SECTION F**  
**BRAKE PARTS, STEERING CLUTCH PARTS, & WINCH PARTS**



[www.paintvalleyequipment.com](http://www.paintvalleyequipment.com)  
Phone: 877-774-0081

Brake Bands

Brake Pads & Shoes

Gearmatic Winch Parts

Master & Slave Cylinders

Pressure Plates & Clutches

Steering Clutch Discs

Winch Bands & Clutch Discs

Section F

**SECTION F**

**BRAKE PARTS, STEERING CLUTCH PARTS, & WINCH PARTS**

	Page
<u>BRAKE BANDS</u>	F5
<u>BRAKE DISCS, PADS, &amp; SHOES</u>	F1 - F5
<u>GEARMATIC WINCH PARTS</u>	F5 - F7
<u>JOHN DEERE 4000 SERIES WINCH PARTS &amp; GUARD</u>	F8, F9
<u>TIMBERJACK T40-D WINCH PARTS</u>	F10, F11
<u>MASTER CYLINDERS &amp; SLAVE CYLINDERS</u>	F2
<u>PRESSURE PLATES &amp; CLUTCHES</u>	F2
<u>STEERING CLUTCH DISCS</u>	F1
<u>WINCH BANDS, WINCH CLUTCH DISCS</u>	F5

**Section F**

2026 Parts Catalog

**DID YOU KNOW?**

You can now click on any number on the parts diagram and the parts image will appear. Check it out!

**Case Rear Axle Differential**

**PVE**  
PAINT VALLEY EQUIPMENT

5. 87708394

7. 175966A1

7. 175966A1

10. 292212A1

11. 292210A1

**STEERING CLUTCH DISCS, BRAKE PARTS**

Part No.	Description	Notes	Qty.	Wt.
<b>JOHN DEERE</b>				
M3293T	Steering Clutch Disc	Fiber 420, 440, 1010	16	0.4
M872T	Steering Clutch Disc	Steel 420, 440, 1010	14	0.6
T20790	Steering Clutch Disc	Fiber 350, 350B	16	0.5
T21315T	Steering Clutch Disc	Steel 350, 350B, 350C, 350D, 400G	14	0.7
AT117553	Steering Clutch Disc	Metallic 350, 350B, 350C, 350D, 400G	14	1.3
T20716	Steering Clutch Disc	Fiber 450, 450B	16-18	0.7
T44129	Steering Clutch Disc	Metallic 450, 450B, 3320 winch	16	1.9
T31732	Steering Clutch Disc	Steel 450, 450B, 450C, 450D, 450E, 455D, 455E, 550, 550A, 550B, 555, 555A, 555B	14-16	1.3
T82355	Steering Clutch Disc	Metallic 450C, 450D, 450E, 450G, 455D, 455E, 455G, 550A, 550B, 550G,, 555A, 555B, 555G, 650G	16	1.3
T82356	Steering Clutch Disc	Steel 450E, 455E, 550B, 555B, 450G, 455G, 550G, 555G, 650G	14	1.4
<b>DRESSER</b>				
635384R2	Steering Clutch Disc	Steel 500	12	1
676833R1	Steering Clutch Disc	Steel 500C, 500E	12	1.2
46826D	Steering Clutch Disc	Steel TD9	10	1.9
<b>CAT STEERING CLUTCH</b>				
5H8530	Steering Clutch Disc	Metallic D2, 933	24	1.6
2B3532	Steering Clutch Disc	Steel D4 6U & 7U to s/n 26502	24	1.4
6S3183	Steering Clutch Disc	Fiber D3	14	0.7
<b>CAT BRAKE PARTS</b>				
230-3811	Brake Caliper Kit	416E ST, 420D, 420E IT, 420E ST, 430E IT, 430E ST	UAR	2.8
188-2933	Brake Lining Kit	416B, 416C	UAR	0.8
259-0129	Brake Caliper Kit	416E ST, 416F ST, 416F2 ST, 420E IT, 420E ST, 420F ST, 420F IT, 420F2 IT, 420F2 ST, 430E IT, 430E ST, 430F IT, 430F ST, 430F2 IT, 430F2 ST	UAR	3
9R2477	Friction Disc	436II, 428II, 436B, 426II, 416II, 438II	UAR	1.8
230-4017	Brake Disc, Friction	416D, 420D	UAR	0.1
9R9401	Steel Disc	416D, 420D	UAR	1.8
<b>CAT D6K, D6K2, D4, 953B, 953C, 953D, 953K, 953, 963B, 963C, 963D, 963K, 963, 973D, 973K, 973</b>				
3W5159	Brake Disc, Steel		6	1.5
170-8714	Brake Disc, Friction		8	0.8

F1

2026 Parts Catalog

**BRAKE PARTS, PRESSURE PLATES, CLUTCHES**

**CASE & JOHN DEERE**

Part No.	Description	Notes	Qty.	Wt.
<b>JOHN DEERE Steering Clutch Pressure Plates</b>				
AT18886	Pressure Plate	350, 350B	2	7
AT18416	Pressure Plate	450, 450B	2	20
<b>JOHN DEERE Master Clutch &amp; Pressure Plate</b>				
AM3791T	Master Clutch	420, 440, Fiber 10" x 1 3/8" (10 spline)	1	2.7
AT160477	Master Clutch	450B, 450C, 450D, 450E, 455D, 455E 11" x 1 1/4" (10 spline)	1	8
AT43120	Pressure Plate	450B, 450C, 450D, 450E, 455D, 455E, 11"	1	17
AT160474	Master Clutch	450B, 450C, 450D, 450E, 455D, 455E 12" x 1 1/4" (10 spline)	1	8.1
AT104326	Pressure Plate	For Both Clutches, 12"	1	14
AT21605	Master Clutch	450 - Standard Shift, 12"	1	8
<b>CASE 430, 530, 480, 580 Master Clutch &amp; Pressure Plate</b>				
110813A1	Master Clutch	430, 530 11" x 1 1/8" (17 Spline)	1	7
A37568	Master Clutch	480, 580 11" x 1 3/8" (21 Spline)	1	5.7
A37566	Pressure Plate	480, 580 11" x 1 7/8" (29 Spline)	1	20
<b>CASE 480B, 480C, 580B, 580C Master Clutch &amp; Pressure Plate</b>				
1997844C1	Master Clutch	11" x 1 3/8" (21 Spline)	1	5.7
<b>CASE 310 Master Clutch &amp; Pressure Plate</b>				
G45791	Clutch	10" x 1 1/8" (10 Spline)	1	6
R35181	Brake Pad			1
<b>CASE 450, 450B, 455B, 550, 650, 850, 850B, 850C, 855C</b>				
211-1028	Ball, 7/8"		10	0.1
31481	Master Cylinder	450 Trans s/n -2644200, 750	2	4
241141A1	Master Cylinder	450 Trans s/n 2644200-, 450B, 455B, 8	2	4
G109413	Slave Cylinder	450, 450B, 455B, 850	2	1.2
A51976	Slave Cylinder	850B, 850C, 855C, 850D, 855D	2	1.2
1348800C1	Slave Cylinder	450C, 455C, 550, 650	2	1.2
These slave cylinders will work with transmission fluid or brake fluid				
<b>CASE 580K, 580L, 580M</b>				
D141779	Master Cylinder	7/8" bore, 580K s/n -JIG0020000	2	2.2
182445A1	Master Cylinder	1" Bore, 580K s/n JIG0020000- 570L, 570M, 580SK, 580L, 580SL, 580M, 580SM, 590SL, 590SM	2	2.8
<b>CASE 480, 480B, 480C, 580, 580B, 580C, 580D W/OUT TURBO</b>				
249019A1	Brake Pad	Lining to reline disc & brake drum, with rivets	2	1
249018A3	Brake Band Set	Top & bottom pcs.	2	2
A51976	Slave Cylinder		2	1.2
L25419	Master Cylinder	*will not fit any 580D	2	4.4
A157705	Spring	Brake band return, not included in bra	4	0.1
A47524	Spring	Disc return, included in brake assembly	2	0.1
211-1032	Ball, 1"		8	0.1

F2

2026 Parts Catalog

**BRAKE PARTS**

**CASE & NEW HOLLAND**

Part No.	Description	Notes	Qty.	Wt.
<b>CASE W14-18-20-24, 680, 780 ETC.</b>				
S301464	Brake Pad		8	1.0
<b>CASE 521D, 521E, 521F, 521G, 521G2, 621D s/n JEE0135501-, 621E, 621F, 621G, 621G2, 721C, 721D, 721E, 721F, 721G, 721G2, 821C, 821E, 921C s/n JEE0155001-</b>				
87341835	Brake Disc, Friction		5	
8603582	Brake Disc, Steel		7	



<b>CASE 450C, 455C, 550, 650, 850C, 850D, 855C, 855D</b>				
G103117	Brake Disc, Friction		12	1.0
G103118	Brake Disc, Steel		8	0.7
<b>CASE 1150B, 1150C, 1150D, 1450, 1450B</b>				
G101711	Brake Disc, Steel		8	0.8



<b>CASE 580E, 580K</b>				
A182740	Brake Pad		2.0	1.0
1342285C1	Brake Disc, Metallic		10	1.5
A52252	Brake Disc, Steel		8	1.3

<b>CASE 580M Series 3, 580SM Series 3, 580SM+ Series 3, 580N, 580N EP, 580SN, 580SN WT</b>				
87708433	Brake Disc, Steel 5mm		2	4.0
87708434	Brake Disc, Friction		4	4.6
87708435	Brake Disc, Steel 8mm		2	6.4

<b>CASE 580L Ser. 2, 580SL Ser. 2, 580M, 580M Ser. 2, 580SM, 580SM Ser. 2</b>				
85827748	Brake Disc, Steel		2	3.6
308030A1	Brake Disc, Steel		2	2
85808317	Brake Disc, Steel	Also fits 580L, 580SL	2	3.8
237021A1	Brake Disc, Friction	Also fits 580L, 580SL	4	1.6

<b>NEW HOLLAND NEW HOLLAND B115, B115B, LB115, LB115B</b>				
85827748	Brake Disc, Steel		2	3.6
85808317	Brake Disc, Steel	For LB115, LB115B Only	2	3.8

<b>NEW HOLLAND NEW HOLLAND U80, U80B, LV80</b>				
308030A1	Brake Disc, Steel		2.0	2
237021A1	Brake Disc, Friction		4	1.6

F3

2026 Parts Catalog

**BRAKE PARTS**

**JOHN DEERE**



Part No.	Description	Notes	Qty.	Wt.
<b>JOHN DEERE 450J, 450K, 450 P, 550J, 550K, 550 P, 650J, 650K, 650 P DOZERS, 605C, 605K TRACK LOADERS</b>				
AT337435	Clutch Disc, Friction		7	0.2
T201825	Clutch Disc, Steel		8	0.2

<b>JOHN DEERE 700H, 700J, 700K, 700L DOZERS 444G, 444H, 444J, 444K, 524K, 544H, 544J, 544K, 624H, 624J, 624K WHEEL LOADERS</b>				
T169109	Brake Disc, Steel		UAR	0.8
T169108	Brake Disc, Friction		UAR	0.4

<b>JOHN DEERE 544H, 544J s/n -611799, 624H, 624J s/n -611796 WHEEL LOADERS</b>				
R161862	Brake Disc, Steel		6	2.0
RE159198	Brake Disc, Friction		4	1.0

<b>JOHN DEERE 750J, 750K, 750L, 850J, 850K, 850L DOZERS, 655K, 755K CRAWLER LOADERS</b>				
R81499	Brake Disc, Steel		UAR	0.8
AT467275	Brake Disc, Friction		UAR	0.6



<b>JOHN DEERE 310E, 310G, 310SE, 310SG, 315SE, 315SG, 410E, 410G LOADER BACKHOES</b>				
AT179503	Brake Disc, Friction	Service Brake	6	2.4
T159409	Brake Disc, Steel	Service Brake	4	1.4
T161233	Brake Disc, Steel	Service Brake	4	1.8
T159474	Brake Disc, Steel	Park Brake	2	0.6
T159475	Brake Disc, Metallic	Park Brake	3	0.4

<b>JOHN DEERE 210K, 210L, 310J, 310K, 310L, 310SJ, 310SK, 310SL, 315SJ, 315SK, 315SL, 325SJ, 325SK, 325SL, 410J, 410K, 410L LOADER BACKHOES, 485E, 486E, 488E FORKLIFTS</b>				
AT339059	Brake Disc, Friction	Service Brake	3	1.6
AT339543	Brake Disc, Friction	Service Brake	3	2.2
T228727	Brake Disc, Steel	Service Brake	8	1.8
T159474	Brake Disc, Steel	Park Brake	3	0.6
T159475	Brake Disc, Metallic	Park Brake	3	0.4

F4

2026 Parts Catalog

**WINCH PARTS, BRAKE BANDS**

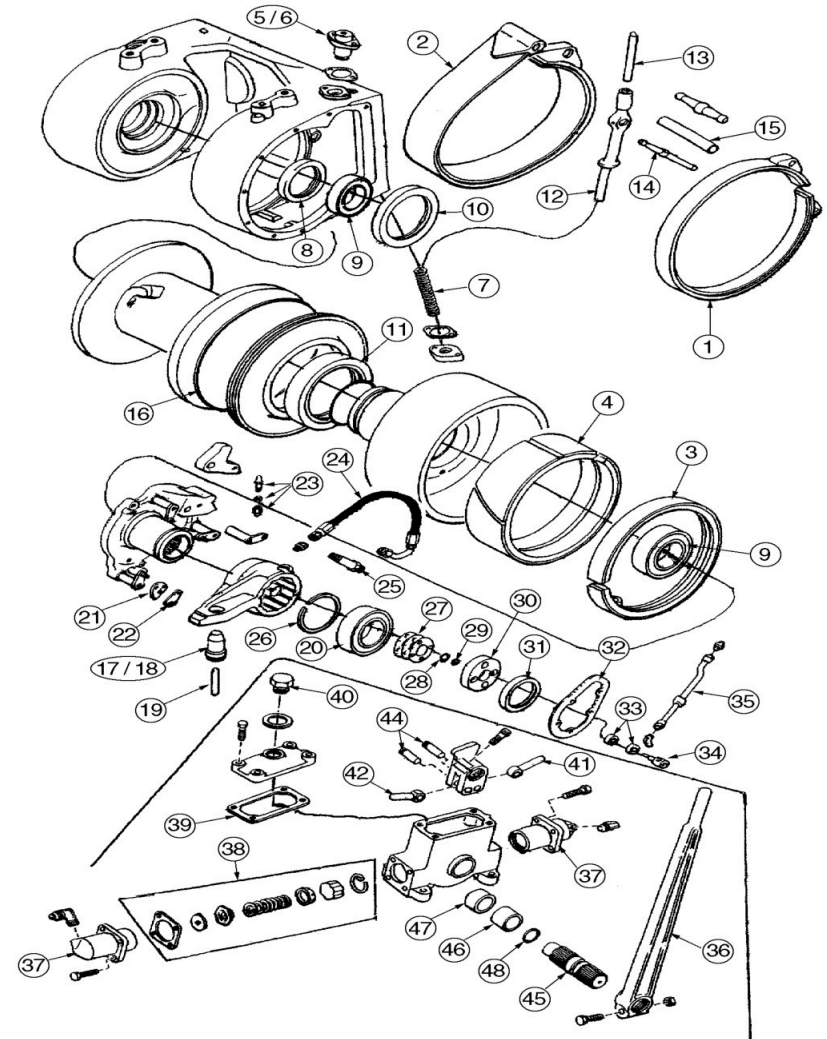
Part No.	Description	Notes	Qty.	Wt.
<b>GEARMATIC MODEL 19 WINCH BANDS</b>				
PV151R	Brake Band	Secondary brake, wide	R&R Only	1 12
PV152R	Brake Band	Primary brake, narrow	R&R Only	1 6
PV153R	Clutch Band	Secondary clutch, wide	R&R Only	1 17
PV154R	Clutch Band	Primary clutch, narrow	R&R Only	1 6
<b>SEE PAGE F6 FOR NEW MODEL 19 WINCH BANDS</b>				
<b>GEARMATIC MODEL 9 WINCH BANDS</b>				
PV156R	Brake Band	Secondary brake, wide	R&R Only	1 5
PV157R	Brake Band	Primary brake, narrow	R&R Only	1 3
PV158R	Clutch Band	Secondary clutch, wide	R&R Only	1 7
PV159R	Clutch Band	Primary clutch, narrow	R&R Only	1 4
<b>CASE</b>				
R29904	Brake Band	310, 350, 350B		2 3
<b>JOHN DEERE</b>				
AT129803R	Brake Band	420, 440	R&R Only	2 4
AT17490R	Brake Band	1010	use AT129805	
AT129805	Brake Band	350, 350B		2 3.5
AT142174	Brake Band	350C, 350D, 400G		2 6
AT129808-809R	Brake Band Set	2010, upper & lower band	R&R Only	2 4
AT129806-807	Brake Band Set	450, 450B, upper & lower band		2 6
AT142175	Brake Band	450C, 450D, 450E, 450G, 455D, 455E, 455G, 550, 550A, 550B, 550G, 555, 555A, 555B, 555G, 650G		2 9
AT108008	Winch Brake Band	Model 3315, 3325, 3305		1 9
AT16844	Winch clutch disk, fiber	Model 3315, 3325, 3305		3 1.4
T19615	Winch clutch disk, steel	Model 3315, 3325, 3305		3 1.6
T16350	Shaft	Model 3310, 3315, 3320, 3325		1 6
T24774	Coupler	Model 3310, 3315, 3320, 3325		1 0.4
<b>DRESSER TD7, TD7C, TD7E, TD7G, TD8, TD8C, TD8E, TD8G, 100C, 100E, 125C, 125G</b>				
621037C1	Brake Shoe	Solid, 1244903H91		4 11
621021C91	Brake Shoe	Tube, 1244967H91		4 17
675708R91	Bearing	Not included with brake shoe		8 0.6
621070C91	Brake Disc	Clutch, inner		2 11
621073C91	Brake Disc	Brake, outer		2 15
<b>DRESSER</b>				
676915R92	Brake Band	500C, 500E		2 5
<b>ALLIS CHALMERS HD3, HD4, 653, 655</b>				
PV161	Brake Band	1 pc. band		2 4

F5

2026 Parts Catalog

**WINCH PARTS**

**CARGO 28  
GEARMATIC MODEL 19**



F6

2026 Parts Catalog

WINCH PARTS

CARGO 28  
GEARMATIC MODEL 19

Ref.	Part No.	Description	Notes	Qty.	Wt.
1	411867	Brake Band	Primary brake, narrow	1	6
2	411868	Brake Band	Secondary brake, wide	1	12
3	406279	Clutch Band	Primary clutch, narrow	1	6
4	407888	Clutch Band	Secondary clutch, wide	1	17
5	403337	Brake Cylinder		1	1.7
6	404908	Brake Cylinder Repair Kit		1	0.2
7	410655	Spring, Brake		1	0.7
8	106185	Seal		1	0.3
9	403499	Bearing		1	4.9
10	403478	Seal, Oil		1	1
11	403496	Seal, Oil		1	0.8
12	403507	Block, Lever		1	0.6
13	3761101	Rod		1	0.3
14	403505	Lever, Brake		1	0.4
15	403503	Pin		1	1.1
16	403494	O' Ring		1	0.1
17	403524	Clutch Cylinder		1	0.6
18	404907	Clutch Cylinder Repair Kit		1	0.2
19	3761100	Pin		1	0.1
20	403519	Bearing		1	3.2
21	406281	Cam, Adjusting		1	0.1
22	3441100	Plate, Lock		1	0.1
23	407485	Rod		1	0.3
24	406090	Hose		1	0.4
25	406091	Fitting, Hydraulic		1	0.1
26	403518	Snap Ring		1	0.1
27	403520	Shim Set		1	0.2
28	104613	O' Ring		1	0.1
29	400684	U-Seal		2	0.1
30	411520	Cap, Gland		1	3
31	403482	Seal, Oil		1	0.1
32	403484	Gasket		1	0.1
33	403485	Bearing		2	0.1
34	411519	Tube, Hydraulic		1	0.1
35	403486	Tube, Assy.		1	0.1

Master Control Valve Parts

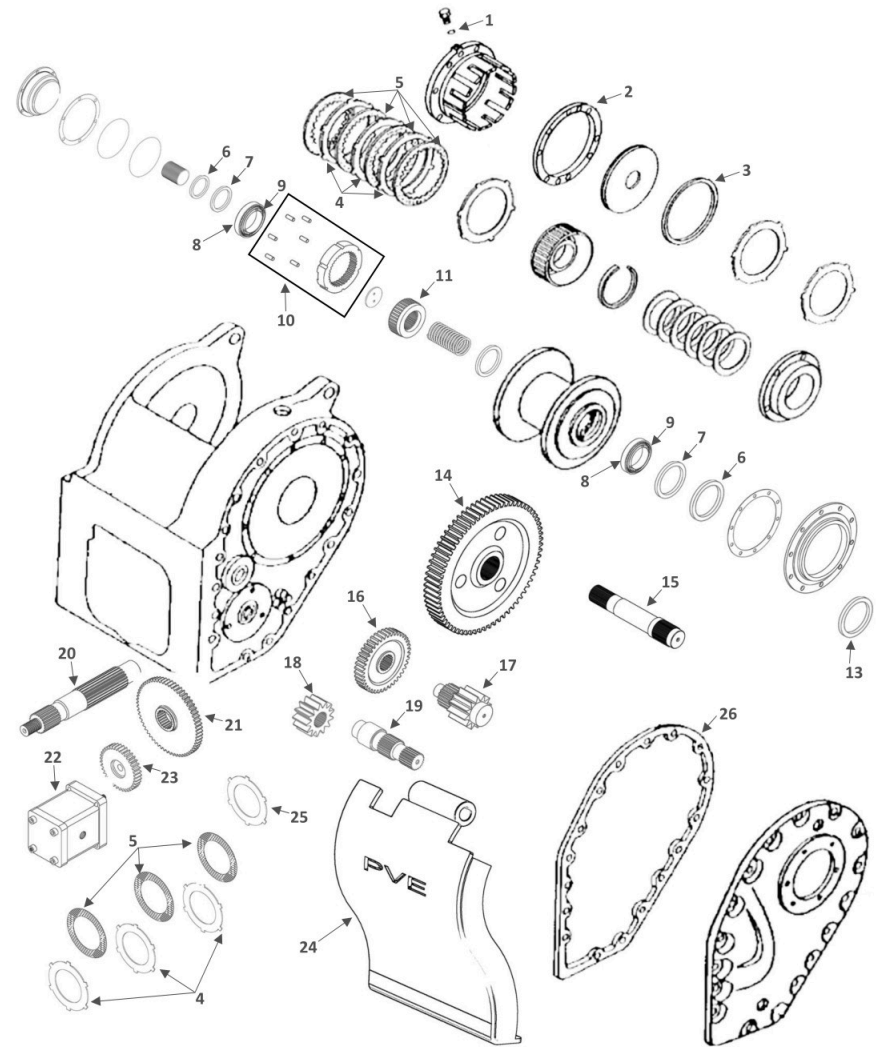
36	235643	Handle		1	0.9
37	400736	Cylinder Assembly		2	1.7
38	404906	Cylinder Repair Kit		2	0.2
39	400751	Gasket		1	0.1
40	400752	Filler Cap		1	0.1
41	405517	Long Push Rod		1	0.1
42	405516	Short Push Rod		1	0.1
44	400749	Push Pin Rod		1	0.1
45	400742	Shaft		1	0.9
46	400778	Bushing		1	0.1
47	405351	Bushing		1	0.1
48	100739	O' Ring		1	0.1

F7

2026 Parts Catalog

WINCH PARTS

JOHN DEERE  
4000 SERIES



F8

2026 Parts Catalog

WINCH PARTS

JOHN DEERE  
4000 SERIES

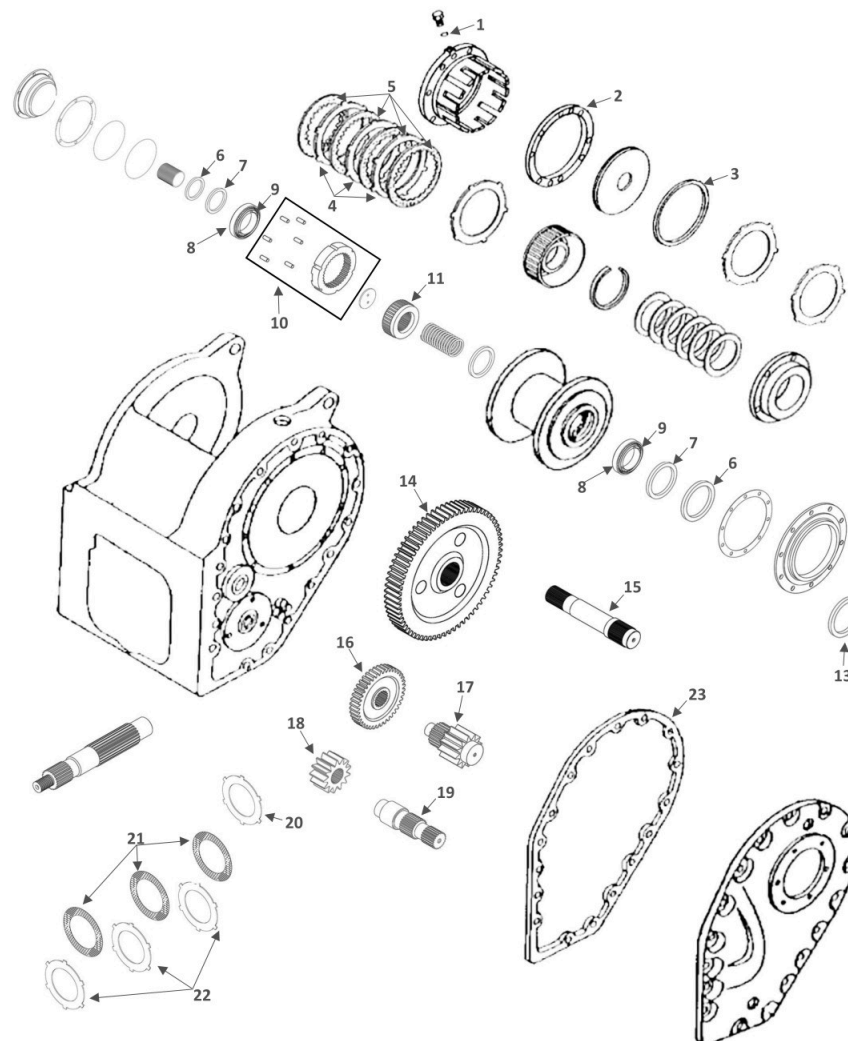
Ref.	Part No.	Description	Notes	Qty.	Wt.
<b>40, 4000, 4000S SERIES WINCHES</b>					
1	R26286	O-ring		1	0.05
2	T84781	Gasket, Brake Housing		1	0.25
3	R46218	Seal		1	0.1
4	R80813	Brake Plate		3	0.6
5	RE326609	Brake Disc, Friction		4	0.4
6	T142269	Seal		2	0.1
7	AT173348	Seal		2	0.5
8	JD8245	Bearing Cup		2	1.2
9	JD8915	Bearing Cone		2	2.0
10	AT181675	Freespool Ring Gear Kit, predrilled w/ dowels		1	3.0
11	AT139629	Freespool Gear		1	4.0
13	AT12431	Seal		1	0.25
14	T161932	Bull Gear, 68T	Winch w/ 8" Drum 16.51:1 Ratio	1	102
14	T106838	Bull Gear, 66T	Winch w/ 19.56:1 Ratio Deep Red.	1	80
15	T387791	Drum Shaft	Winch s/n 589977-	1	32
16	T84712	First Reduction Gear, 40T		1	21
17	T84711	Pinion, 12T	Winch w/ 8" Drum, 16.51:1 Ratio	1	10
17	T142438	Pinion, 10T	Winch w/ 19.56:1 Ratio Deep Red.	1	9.0
18	T24862	Pinion, First Reduction 13T		1	4.0
19	T84713	First Reduction Gear		1	3.0
20	T173101	Input Shaft		1	4.0
21	T242381	Driven Gear		1	3.0
22	AT304117	Hydraulic Pump		1	4.0
23	T242382	Driven Gear On Pump		1	1.0
24	PV6901	Winch Guard		1	145
25	R57345	Clutch Plate		1	0.5
5	RE326609	Clutch Disc, Friction		4	0.5
27	R80813	Clutch Plate		3	0.6
26	T84701	Gasket, Side Cover		1	0.25
	T212838	Gasket, Control Valve		1	0.25
	R26906	O-ring, Control Valve		1	0.05
	AT13161	Seal, Input Shaft		1	0.25
	PV746	Bearing Kit, Freespool and Drum Shaft		1	9.5
		** Includes seals, o-rings, bearings shown on JD diagram ST27284/ST27285			
	PV747	Bearing Kit, Winch Pump Cover Gears and Shafts		1	1.5
		**Includes seals, o-rings, bearings shown on JD diagram ST27291/ST27292			
	PV748	Bearing Kit, Clutch Piston		1	3.2
		** Includes seals, o-rings, bearings shown on JD diagram ST27287/ST27288			

F9

2026 Parts Catalog

WINCH PARTS

TIMBERJACK  
T40-D WINCH



F10

2026 Parts Catalog

**WINCH PARTS**

**TIMBERJACK  
T40-D WINCH**

Ref.	Part No.	Description	Notes	Qty.	Wt.
<b>T40-D Winches</b>					
1	810529400	O-ring		1	0.05
2	842488000	Gasket, Brake Housing		1	0.25
3	841051500	Seal		1	0.1
4	842488400	Brake Plate		3	0.6
5	842488300	Brake Disc, Friction		4	0.4
6	843133600	Seal		2	0.1
7	842486200	Seal		2	0.5
8	842486400	Bearing Cup		2	1.2
9	842486300	Bearing Cone		2	2.0
10	845170900	Freespool Ring Gear Kit, predrilled w/ dowels		1	3.0
11	842486700	Freespool Gear		1	4.0
13	841052200	Seal		1	0.25
14	842490400	Bull Gear, 68T		1	102
14	843132700	Bull Gear, 66T		1	80
15	842490600	Drum Shaft		1	32
16	842489100	First Reduction Gear, 40T		1	21
17	843132600	Pinion, 10T		1	9.0
18	842489300	Pinion, First Reduction 13T		1	4.0
19	842489400	First Reduction Gear		1	3.0
20	841041900	Clutch Plate		1	0.5
21	842488300	Clutch Disc, Friction		4	0.4
22	842488400	Clutch Plate		3	0.6
23	842485200	Gasket, Side Cover		1	0.25
	842492000	Gasket, Control Valve		1	0.25
	840287100	O-ring, Control Valve		1	0.05
	841052200	Seal, Input Shaft		1	0.25



**SECTION G  
LOADER BACKHOE AXLE PARTS**



[www.paintvalleyequipment.com](http://www.paintvalleyequipment.com)

Phone: 877-774-0081

Case 2WD Axle Parts

Case 4WD Carraro

Case 4WD Front Axle Kits

Case Front Rims

John Deere Axle Parts

**SECTION G**

**LOADER BACKHOE FRONT & REAR AXLE PARTS**

	Page
<b>JOHN DEERE FRONT AND REAR AXLE PARTS</b>	
210C, 300B, 301A, 302, 302A, 310, 310A, 310B, 310C, 310D, 401B, 401C, 401D, 410, 410B, 480C, 500C	G1
<b>CASE FRONT AXLE PARTS - 2WD</b>	
480C, 480D, 480E	G2, G3
580C, 580D, 580E	G2, G3
580K, 580SK, 580L, 580SL, 580M, 580SM	G4, G5
590, 590L, 590SL, 590SL Series 2, 590SM	G5
570MXT, 570N, 580M, 580SM, 580SM+, 590SM, 580N, 580SN, 585G, 585H, 586G, 586H, 588G, 588H	G6, G7
<b>CASE FRONT AXLE PARTS - 4WD</b>	
AXLE HOUSING	G8
SWIVEL HOUSING	G9, G18, G19
STEERING CYLINDER	G10, G17
AXLE SHAFT ASSEMBLY	G11, G22
PLANETARY ASSEMBLY	G12, G13, G20, G21
DIFFERENTIAL	G14, G23
RING & PINION	G15, G24
FRONT AXLE KITS	G34
<b>CASE REAR AXLE PARTS</b>	
RING & PINION	G25
PLANETARY	G26-G29, G35
BRAKE DIFFERENTIAL	G28, G34
DIFFERENTIAL	G29, G33

**DID YOU KNOW WE  
ARE ON SOCIAL  
MEDIA?**



**@paintvalleyequipment**



**@paintvalleyequipment**



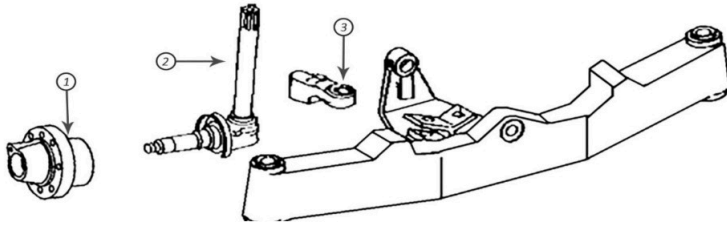
**[www.linkedin.com/company/paint-valley-equipment-ltd](http://www.linkedin.com/company/paint-valley-equipment-ltd)**



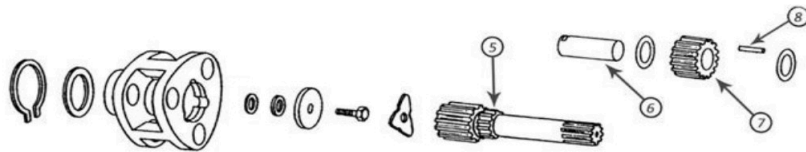
Check us out to stay connected and informed with everything PVE!

FRONT / REAR AXLE PARTS

JOHN DEERE



Ref. Part No.	Description	Notes	Qty.	Wt.
<b>JOHN DEERE 300B, 301A, 302, 302A, 401B, 401C, 310 s/n -237997</b>				
1	R49839	Hub	2	18
2	AT33636	Spindle	2	23
3	T21519	Steering Arm R/H	1	6
<b>JOHN DEERE 310 s/n 237998-, 310A, 310B s/n -700147, 401D s/n -700147, 480C s/n -700147</b>				
1	R49841	Hub	2	34
2	AT76758	Spindle	2	23
3	T77736	Steering Arm R/H	1	16
	T77737	Steering Arm L/H	1	16
<b>JOHN DEERE 310B s/n 700148-, 401D s/n 700148-, 480C s/n 700148-, 410 s/n 235786-, 500C s/n 238503-</b>				
1	R63556	Hub	2	27
2	AT76138	Spindle	2	37
3	T77482	Steering Arm R/H	1	14
	T77483	Steering Arm L/H	1	14



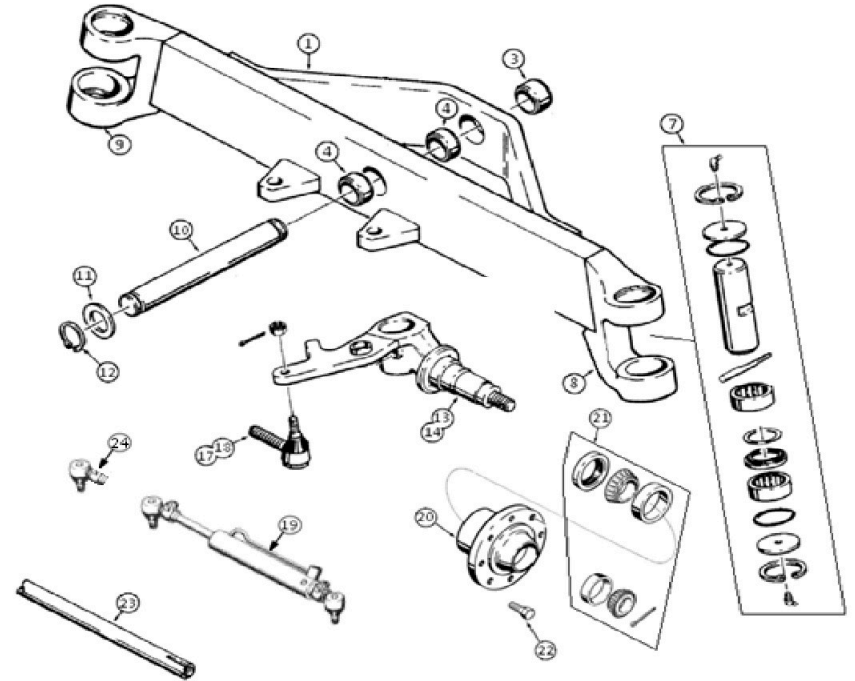
Ref. Part No.	Description	Notes	Qty.	Wt.
<b>JOHN DEERE 210C, 310A, 310B, 310C, 310D, 401C, 401D, 410, 410B</b>				
5	T71926	Drive Shaft L/H	1	6
6	T149083	Shaft	6	1.6
7	T21547	Planetary Gear	6	2.2
8	T21418	Kit, Needle Bearings (Pack of 23)	6	0.2
<b>JOHN DEERE 310E, 310G, 310SE, 310SG, 315SE, 315SG, 410E, 410G, 485E, 486E, 488E</b>				
	T154952	Drive Shaft	2	6.5
	T183921	Planetary Pinion Gear	6	2.6

G1

2026 Parts Catalog

FRONT AXLE PARTS

CASE 2WD



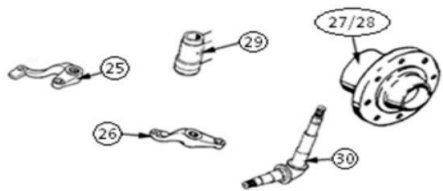
G2

2026 Parts Catalog

**FRONT AXLE PARTS**

**CASE 2WD**

Ref.	Part No.	Description	Notes	Qty.	Wt.
<b>CASE 480C, 480D, 480E, 580C, 580D, 580E</b>					
3	D43940	Bushing		1	0.5
4	D61241	Bushing		2	0.4
5	D50146	Bushing		1	0.7
6	D61241	Bushing		2	0.4
7	D103156	King Pin Kit		2	9
8	D69359	Weld on End R/H		1	16
9	D69360	Weld on End L/H		1	16
10	D64171	Pin		1	9.4
11	495-81226	Washer		2	0.05
12	103-16175	Snap Ring		2	0.05
13	D86343	Spindle R/H	For Steel Axle	1	20
13	D125862	Spindle R/H	For Cast Iron Axle	1	20
14	D86344	Spindle L/H	For Steel Axle	1	20
14	D125863	Spindle L/H	For Cast Iron Axle	1	20
17	D88491	Tie Rod End R/H, Tie Rod		1	2
18	D88492	Tie Rod End L/H, Tie Rod		1	2
19	234447A1	Steering Cyl. 2WD	Also fits 480B & 580B	2	9
19	234449A1	Steering Cyl. 4WD	480E, 580SE, 584E, 585E, 586E	2	9
20	A66759	Hub, 8 Hole		2	34
21	B93222	Wheel Bearing Kit		2	4
23	D73397	Tie Rod		1	20
24	A40962	Tie Rod End, Steering Cylinder	L/H & R/H, Male Thread	2	2
	A40963	Tie Rod End, Steering Cylinder	Female Thread	1	2



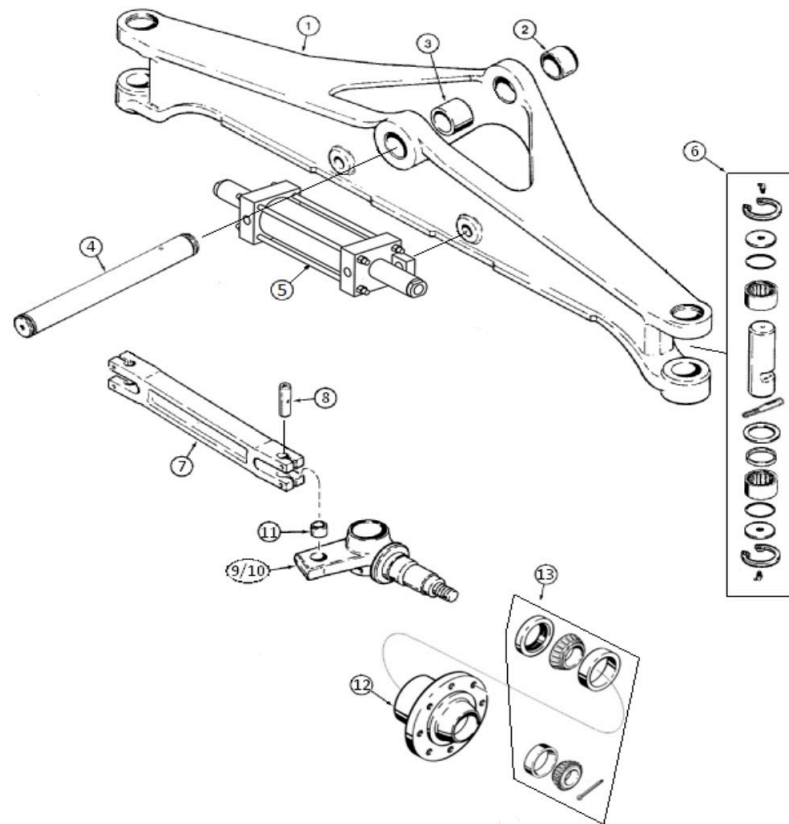
<b>CASE 430, 530, 480, 580 Front Axle Parts</b>					
25	A137741	Steering Arm L/H	480, 580, 580B	1	11
26	A137742	Steering Arm R/H	480, 580, 580B	1	11
28	A51157	Hub, 8 Hole	580, 580B	2	35
21	PV580WBKCA	Wheel Bearing Kit	480, 480B, 580, 580B	2	2
29	A38382	Weld on End	480, 480B, 580, 580B	2	14
30	A154657	Spindle	430, 480, 530, 580, 580B	2	22
	G45368	Tie Rod End R/H		1	1
	G45369	Tie Rod End L/H		1	1

**G3**

2026 Parts Catalog

**FRONT AXLE PARTS**

**CASE 2WD**



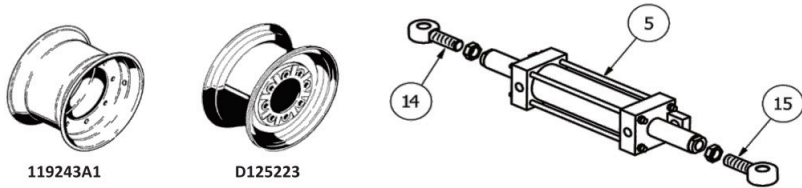
**G4**

2026 Parts Catalog

**FRONT AXLE PARTS**

**CASE 2WD**

Ref.	Part No.	Description	Notes	Qty.	Wt.
<b>CASE 570LXT, 570MXT, 580K, 580SK, 580L, 580SL, 580M, 580SM, 585G, 586G, 588G</b>					
1	D138954	Front Axle Housing	<i>Housing only</i>	1	365
	D138954A	Front Axle Assembly	<i>Hub to hub less steering cylinder</i>	1	491
2	D137345	Bushing		1	0.4
3	D138047	Bushing		1	1
4	D127445	Pin	580K, 580SK 2WD & 4WD	1	15
4	378290A1	Pin	580L, 580SL, 580M, 580SM, 590SL, 590SM 2WD & 4WD	1	15
5	G107720	Steering Cylinder	w/out eyes	1	29
	G110045	Seal Kit		1	0.2
14	G106832	Eye, L/H Thread		1	1.2
15	G106813	Eye, R/H Thread		1	1.2
6	D103626	King Pin Kit		2	8
7	D123806	Steering Link		2	12
8	D150155	Pin		4	0.5
9	335130A1	Spindle R/H		1	17
10	335132A1	Spindle L/H		1	17
11	D127507	Bushing		2	0.1
<i>(335130A1 &amp; 335132A1 spindles do not need this bushing)</i>					
12	A66759	Hub, 8 Hole		2	34
13	B93222	Wheel Bearing Kit		2	4
<b>CASE 590, 590L, 590SL, 590SL Series 2, 590SM</b>					
1	D148413	Front Axle Housing	<i>Housing only</i>	1	365
	D148413A	Front Axle Assembly	<i>Hub to hub less steering cylinder</i>	1	491
5	1986518C2	Steering Cylinder	w/out eyes	1	31
	G110045	Seal Kit		1	0.2
6	D103626	King Pin Kit		2	8
9	335130A1	Spindle R/H		1	17
10	335132A1	Spindle L/H		1	17
12	A66759	Hub, 8 Hole		2	34
13	B93222	Wheel Bearing Kit		2	4
14	1542550C1	Eye, L/H Thread		1	1.2
15	1542549C1	Eye, R/H Thread		1	1.2



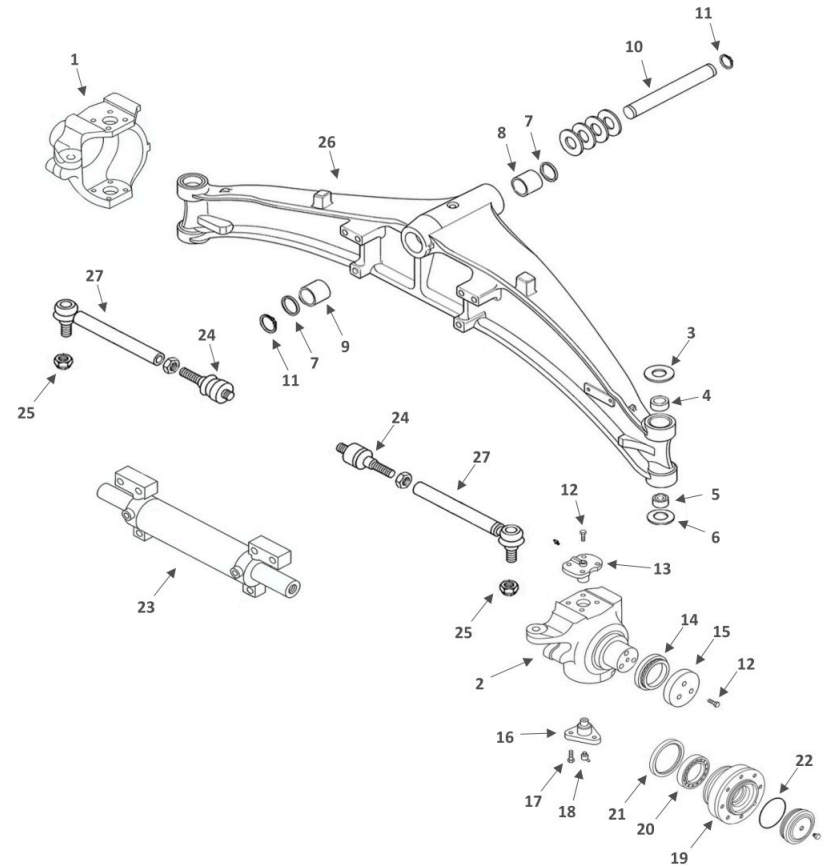
<b>CASE FRONT AXLE RIMS</b>					
D125223	Front Rim, 8 Hole		2WD (All Models)	2	37
D126930	Front Rim, 8 Hole		4WD 580E, 580K, 580SK	2	36
119243A1	Front Rim, 8 Hole		4WD 580L, 580SL, 580M, 580SM	2	36

G5

2026 Parts Catalog

**FRONT AXLE PARTS**

**CASE 2WD**



G6

2026 Parts Catalog

**FRONT AXLE PARTS**

**CASE 2WD**

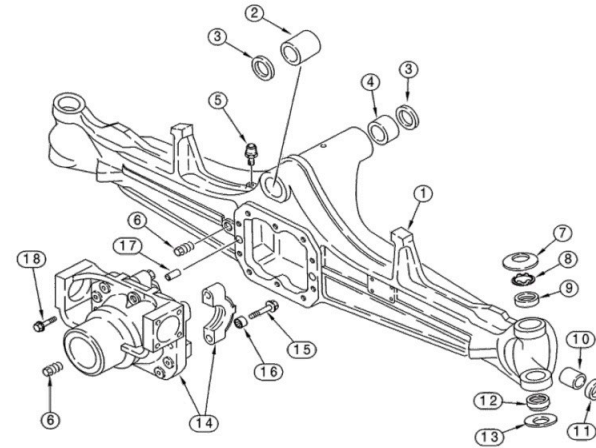
Ref. Part No.	Description	Notes	Qty.	Wt.
<b>(570MXT, 580M, 580SM, 580SM+, 590SM, 590SM+ Ser.3) - ALL SERIES w/ 429230A1 AXLE HOUSING, 570N EP, 570NXT, 580N (ALL), 580SN (ALL), 585G, 585H, 586G, 586H, 588G, 588H</b>				
1	429231A1	Steering Knuckle, L/H	1	44
2	429232A1	Steering Knuckle, R/H	1	44
3	122270A1	Belleville Washer	2	0.1
4	87400286	Bushing	2	0.2
5	N14373	Spherical Bearing	2	0.4
6	122261A1	Belleville Washer	2	0.05
7	N14367	Seal	2	0.01
8	D149726	Bushing	1	0.5
9	D149725	Bushing	1	1.0
10	391451A1	Pivot Pin	1	15.0
10	87404197	Pivot Pin	1	15.0
11	800-44050	Snap Ring	2	0.05
12	100533A1	Bolt	14	0.1
13	122265A1	King Pin, Upper	2	2.2
14	401059A1	Thrust Bearing	2	1.5
15	401060A1	Thrust Washer	2	1.0
16	122259A1	King Pin, Lower	2	2.6
17	D150214	Bolt, Locking	6	0.1
18	N13505	Lube Nipple	2	0.02
19	401065A1	Hub	2	25.0
20	324213A1	Roller Bearing	2	2.0
21	311569A1	Oil Seal	2	0.6
22	401066A1	O-Ring	2	0.01
23	401055A1	Steering Cylinder	1	23.0
24	112509A1	Ball Joint	2	1.9
25	905839R1	Lock Nut	2	0.05
26	429230A1	Axle Housing	1	<i>Not Available</i>
27	401054A1	Tie Rod	2	<i>Not Available</i>

G7

2026 Parts Catalog

**AXLE HOUSING**

**CASE 4WD**



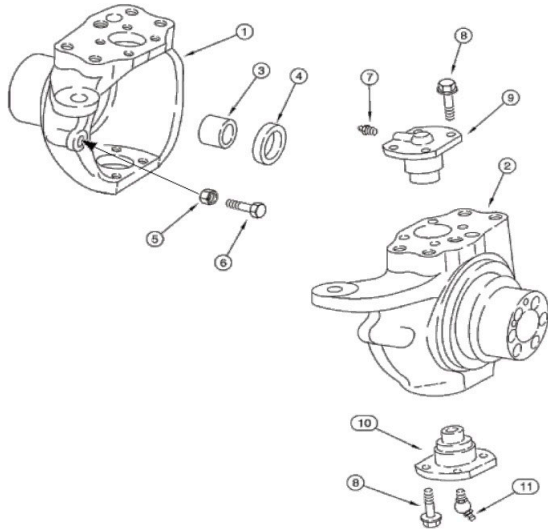
Ref. Part No.	Description	Notes	Qty.	Wt.
<b>CASE 570LXT, 570MXT, 580L, 580SL, 580M, 580SM, 585G, 586G, 588G</b>				
	113561A1	AXLE Assembly	1	
1	144453A1	Housing, Axle	1	201
		<i>Front axle; Used With 144455A1 and 144456A1</i>		
		<i>No Longer Available, Order 402357A1 Housing</i>		
1	402357A1	Housing, Axle	1	
		<i>Front Axle; Used With 397653A1 and 397654A1 Swivel</i>		
		<i>Housings Which Use 45 x 60 x 16 Seal.</i>		
2	D149725	Bushing	1	0.7
3	N14367	Seal	2	0.01
4	D149726	Bushing	1	0.5
5	1966149C1	Breather	1	0.05
6	A156873	Plug, Drain	2	0.1
7	122270A1	Washer	2	0.01
8	136990A1	Spacer	2	0.05
9	100522A1	Bushing	2	0.2
10	1966186C1	Bushing	2	0.1
11	1966191C1	Seal	2	0.05
		<i>30 x 44 x 11 mm Used With 144453A1 Housing, Ref 1 Above</i>		
11	85824343	Seal	2	0.08
		<i>30 x 44 x 14 mm CV Joint Differential Side; Used With 402357A1 Housing, Ref 1 Above; Replaces 311565A1</i>		
12	100520A1	Bushing	2	0.3
13	122268A1	Washer	2	0.05
14	144454A1	Support Assy	1	
		<i>CARRIER, differential, Includes: Refs. 14-16 Non-Stock</i>		
15	NSS	Screw	4	
		<i>Hex Flg, M14 x 75, 12.9, BOLT, Special</i>		
16	1966136C1	Bushing	4	
		<i>BUSHING centering, carrier Non-Stock</i>		
17	1966138C1	Dowel	2	0.1
		<i>Dowel, housing to carrier</i>		
18	NSS	Screw	10	
		<i>Hex Flg, M12 x 33, 12.9, BOLT, Carrier to housing</i>		

G8

2026 Parts Catalog

**SWIVEL HOUSING**

**CASE 4WD**



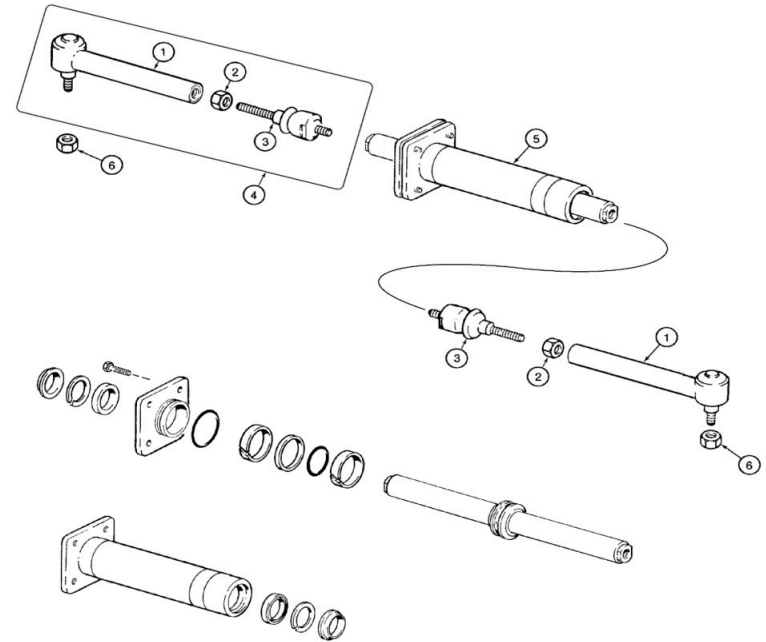
Ref. Part No.	Description	Notes	Qty.	Wt.
<b>CASE 570L, 580L &amp; SL, 580M &amp; SM, 585G, 586G, 588G</b>				
1	144455A1	Housing, L/H <i>Swivel, left hand; Used With 100529A1 Seal</i> <i>Swivel housing has been replaced with 137049A1 Kit</i>	1	32
1	397653A1	Housing, L/H <i>NSS, Replaced by 137049A1 Kit</i>	1	33
1	137049A1	Housing Kit, L/H <i>Contents: 397653A1, 402359A1, 100532A1, 311569A1 2-1966169C1, 100552A1, 85805982</i>	1	38
2	144456A1	Housing, R/H <i>Swivel, right hand ; Used With 100529A1 Seal</i> <i>Swivel housing has been replaced with 137050A1 Kit</i>	1	32
2	397654A1	Housing, R/H <i>NSS, Replaced by 137050A1 Kit</i>	1	33
2	137050A1	Housing Kit, R/H <i>Contents: 397654A1, 402359A1, 100532A1, 311569A1 2) 1966169C1, 100552A1, 85805982</i>	1	38
3	100532A1	Bushing <i>Swivel housing, used with R/H or L/H swivel housing</i>	2	0.2
4	100529A1	Seal, Shaft <i>45 x 65 x 12; Used With 144455A1, 144456A1 Housings</i>	2	0.1
4	402359A1	Seal <i>45 x 60 x 16; Used With 397653A1, 397654A1 Housings</i>	2	0.1
5	85805986	Nut <i>M16,</i>	2	0.05
6	1537664C1	Screw <i>BOLT, 16 mm, steering stop</i>	2	0.4
7	321204	Nipple, Lube <i>M6 x 1, 16mm lg, Swivel cap</i>	2	0.01
8	100533A1	Bolt <i>hex, special, 12-1.75 x 30 mm</i>	16	0.1
9	122265A1	Pin <i>King, Swivel housing cap, Upper</i>	2	2.2
10	122264A1	Pin <i>King, Swivel housing cap, Lower</i>	2	2
11	N13505	Nipple, Lube <i>45 degree, M6 x 1, Special, Swivel cap</i>	2	0.02

G9

2026 Parts Catalog

**STEERING CYLINDER**

**CASE 4WD**



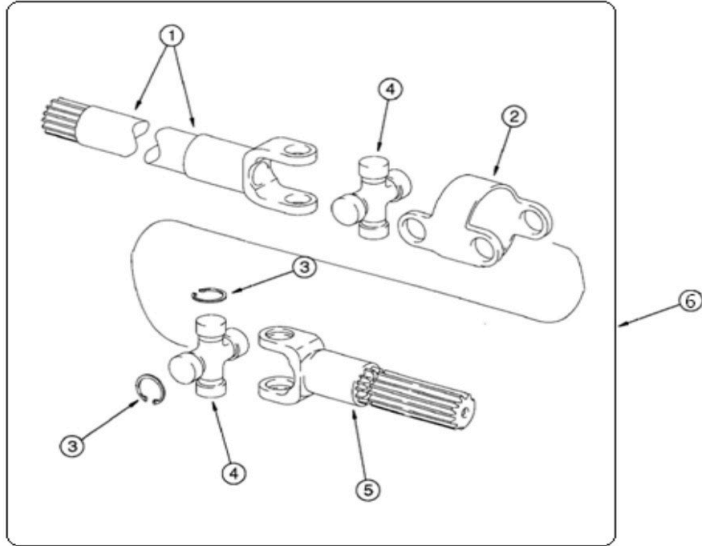
Ref. Part No.	Description	Notes	Qty.	Wt.
<b>CASE 570L, 580L &amp; SL, 580M &amp; SM, 585G, 586G, 588G</b>				
1	87710157	Ball Joint	2	3.4
2	934727R1	Nut <i>Not Sold Separately</i>		
3	112509A1	Ball Joint	2	1.9
4	144457A1	Arm, Steering	2	6
5	144458A1	Cylinder, 4WD	1	29
	D149739	Seal Kit	1	0.05
6	85805982	Nut	2	0.05

G10

2026 Parts Catalog

AXLE SHAFT ASSEMBLY

CASE 4WD



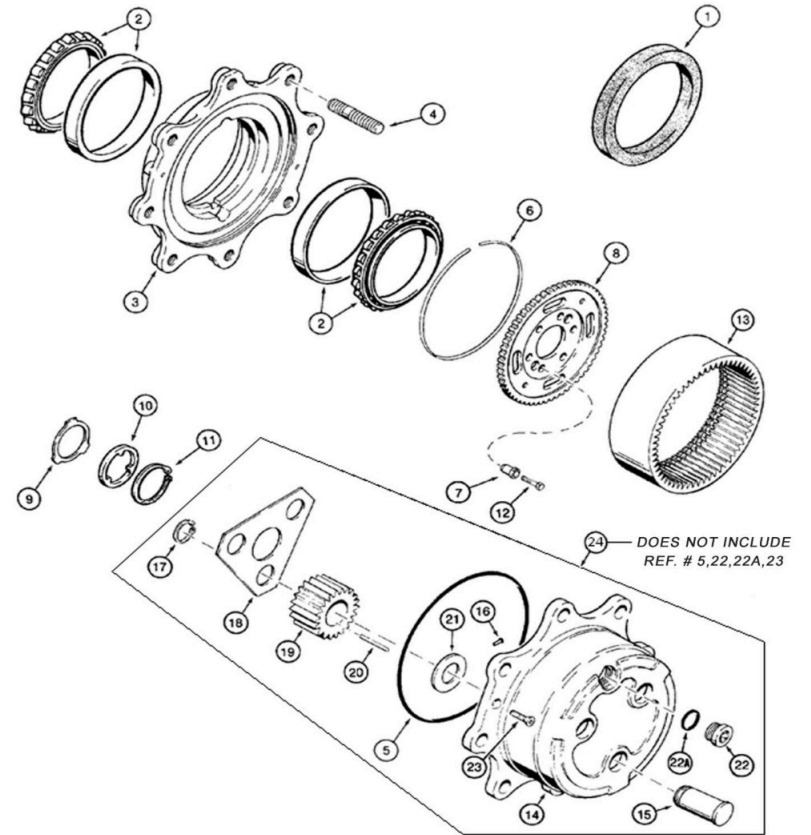
Ref.	Part No.	Description	Notes	Qty.	Wt.
<b>CASE 570L, 580L &amp; SL, 580M &amp; SM, 585G, 586G, 588G</b>					
6	144461A1	Axle-Shaft, Articulated		2	19
1	144462A1	Shaft		2	10
2	390029A1	Body		2	2.9
3	N14410	Ring		16	0.01
4	144465A1	Spider, U-Joint		4	1
5	144463A1	Shaft		2	4

G11

2026 Parts Catalog

PLANETARY

CASE 4WD



G12

2026 Parts Catalog

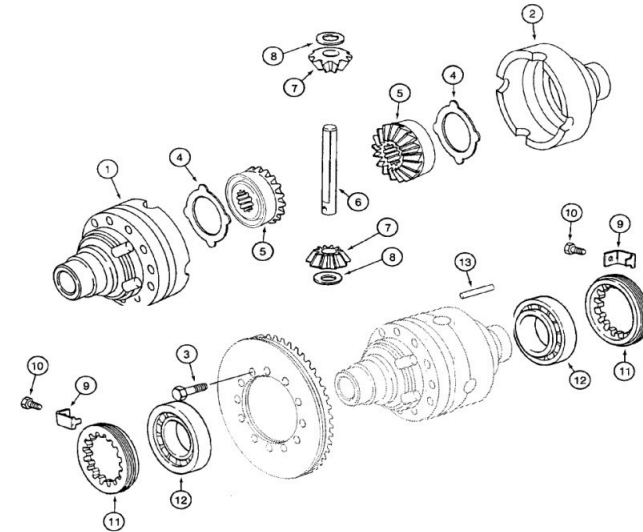
**PLANETARY** **CASE 4WD**

Ref.	Part No.	Description	Notes	Qty.	Wt.
<b>CASE 570L, 580L &amp; SL, 580M &amp; SM, 585G, 586G, 588G</b>					
1	311569A1	Seal, Oil	hub; 130 ID x 160 OD x 14 wide Replaces 1984938C1	2	0.6
2	1966169C1	Bearing, cup & cone	tapered roller, hub	4	1.9
3	144466A1	Hub	HUB wheel attaching, Includes: Ref. 4	2	25
4	100556A1	Stud	hub, special	8	0.3
5	100552A1	O-ring	wheel hub	2	0.01
6	100559A1	Ring, Special	backup, wheel hub O-ring	2	0.05
7	116426A1	Bushing	BUSHING carrier	12	0.05
8	116427A1	Gear	CARRIER ring	2	3.4
9	100565A1	Washer, Thrust		2	0.05
10	100550A1	Washer, Thrust		2	0.05
11	A48041	Circlip	RING snap	2	0.01
12	116425A1	Screw	BOLT hex, self locking, special	12	0.1
13	100561A1	Gear	ring, planetary	2	6
14	NSS	Housing	CARRIER, planetary, purchase 100553A1		
15	NSS	Shaft	SHAFT pinion gear, purchase 100553A1		
	100553A1	Housing Assy.	CARRIER, planetary, Includes Ref. 14-16	2	22
16	K395093	Pin, Headed	locking	1	0.1
17	800-1134	Snap Ring	M34, Ext, Retaining	6	0.01
18	100555A1	Plate, Large	RETAINER pinion gear	2	0.3
19	100562A1	Gear, Planetary	pinion	6	1.3
20	114295A1	Kit, 10 Needle Bearings	BEARING needle, planetary gear, packet of 10	18	0.05
21	K395091	Washer, Thrust	Pinion gear, Outer	6	0.05
22	100557A1	Plug, Drain	Includes 238-6121 o-ring	2	0.2
22A	238-6121	O-ring	NSS	1	
23	K395082	Screw		4	0.05
24	100554A1	Pinion Carrier	PLANETARY ASSEMBLY, Includes Ref. 14-21	2	30

G13

2026 Parts Catalog

**FRONT DIFFERENTIAL** **CASE 4WD**



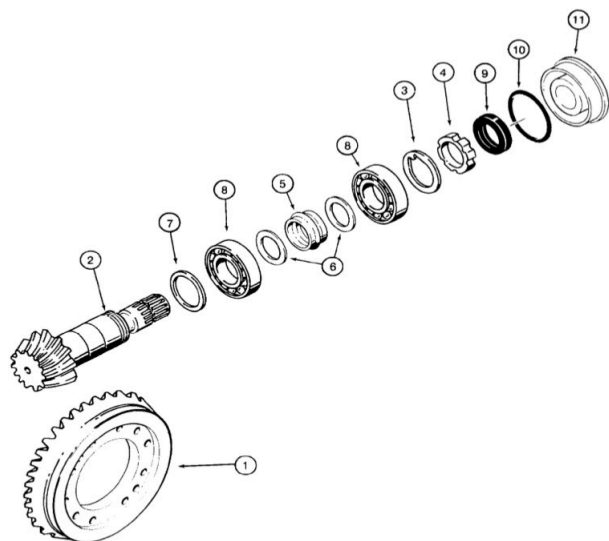
Ref.	Part No.	Description	Notes	Qty.	Wt.
<b>CASE 570L, 580L &amp; SL, 580M &amp; SM, 585G, 586G, 588G</b>					
	109686A1	Housing	Differential, Incl. Ref. 1 & 2, Non-Stock	1	
1	NSS	NSS	HOUSING differential, flange half	1	
2	NSS	NSS	HOUSING differential, plain half	1	
3	827-10075	Bolt	Hex, M10 x 75, 10.9,	12	
4	1967003C1	Washer, Thrust	differential housing	2	0.05
5	N14407	Gear, Side Differential	for service order p/n 231397A1 kit	2	1.7
6	K395087		Pinion gear	1	0.8
7	N14408	Sun Gear	pinion, differential	2	0.4
8	K395075	Washer, Thrust	Pinion gear	2	0.01
9	1966153C1	Plate, Locking	BRACKET lock	2	0.05
10	112486A1	Screw, Lock	Hex, M6 x 12, Special	2	0.02
11	1966559C1	Ring, Locking		2	0.4
12	K395027	Tapered Roller Bearing	Differential	2	1.2
13	K395086	Pin	for service order p/n 231397A1	1	0.05
	231397A1	Kit, Service	Gear, Differential, Service replacement (Includes Ref. 4-8)	1	6

G14

2026 Parts Catalog

## FRONT RING &amp; PINION

## CASE 4WD



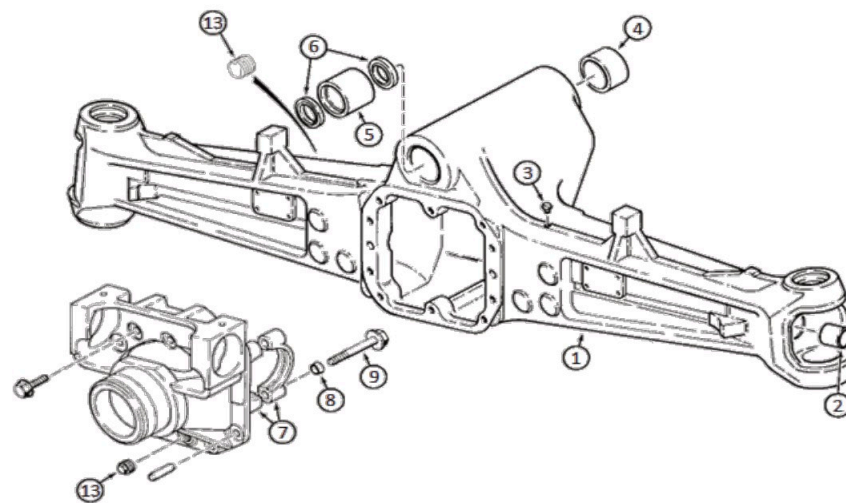
Ref. Part No.	Description	Notes	Qty.	Wt.	
<b>CASE 570L, 580L &amp; SL, 580M &amp; SM, 585G, 586G, 588G</b>					
1-6	144460A1	Gear Set	Ring and pinion, 113561A1 axle without powershift transmission - Includes Ref. 1-6	1	16
1	NSS	GEAR ring		1	
2	NSS	GEAR pinion		1	
3	NSS	Washer		1	
4	NSS	Nut		1	
5	NSS	Spacer		1	
6	NSS	Washer		2	
7	140954A1	Shim	2.50mm Th, (0.098") Non-Stock	UAR	
7	140951A1	Shim	2.70mm Th (0.106") Non-Stock	UAR	
7	140949A1	Shim	2.80mm Th (0.110") Non-Stock	UAR	
7	140943A1	Shim	3.00mm Th (0.118") Non-Stock	UAR	
7	140944A1	Shim	3.10mm Th (0.122") Non-Stock	UAR	
7	140946A1	Shim	3.30mm Th (0.129") Non-Stock	UAR	
8	K395090	Tapered Roller Bearing	Pinion gear	2	1.6
9	K262143	Seal	oil	1	0.1
10	238-5152	O-ring	-152, 70 Duro, 3.237" ID x .103" Th	1	0.01
11	128570A1	Flange	COVER differential	1	1.4

G15

2026 Parts Catalog

## AXLE HOUSING

## CASE 4WD



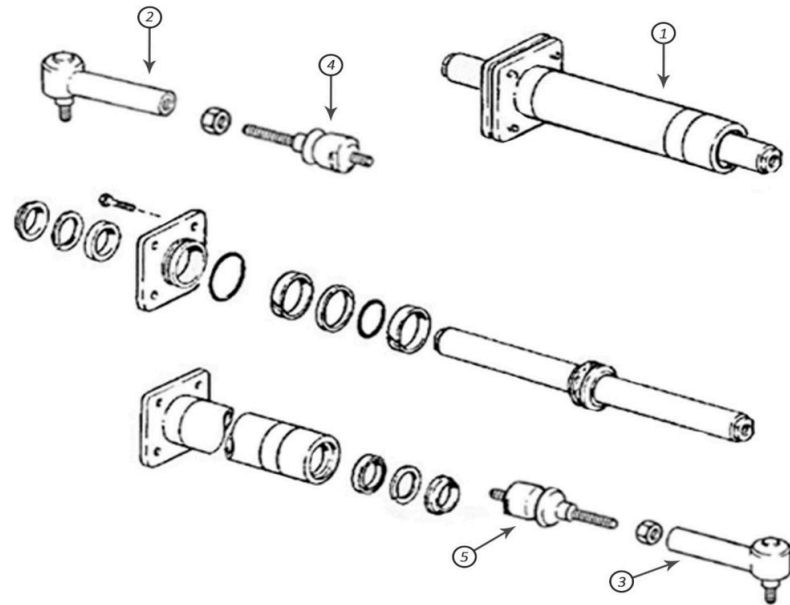
Ref. Part No.	Description	Notes	Qty.	Wt.	
<b>CASE 580K s/n JYG0020000 and newer, 580SK, 590</b>					
2	K395019	Bushing	Non-stock	2	
3	1966149C1	Breather	Replaces K965231	1	0.05
4	D149726	Bushing	BUSHING front pivot - 580SK	1	0.5
5	D149725	Bushing	BUSHING rear pivot - 580SK	1	0.7
6	N14367	Seal	SEAL rear bushing	2	0.01
	D149714	Support	CARRIER ASSEMBLY differential, for 3-1/32 inch 77 mm, OD steering cylinder, Includes 7, 8 and 9	1	
7	NSS	NSS	CARRIER differential, order D149714	1	
8	1966136C1	Ring	BUSHING centering, carrier Non-Stock	4	
9	S301065	Bolt		4	
13	A156873	Plug	PLUG, DRAIN, M22 x 1.5	1-2	0.1

G16

2026 Parts Catalog

STEERING CYLINDER

CASE 4WD



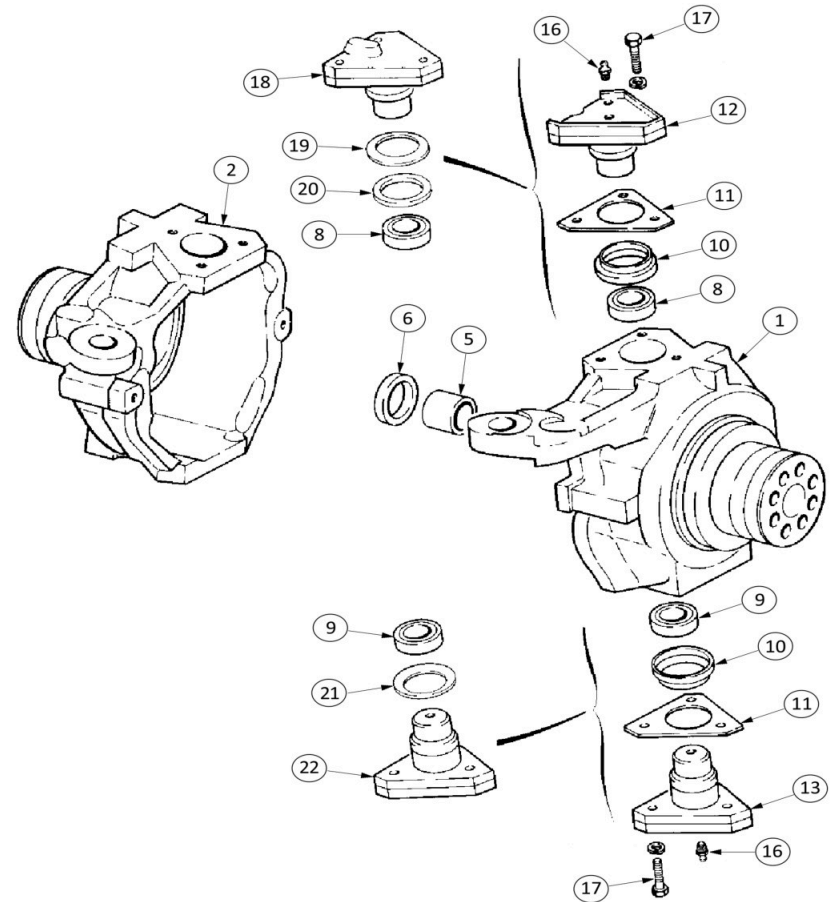
Ref. Part No.	Description	Notes	Qty.	Wt.
<b>CASE 580K s/n JG0020000 and newer, 580SK, 590</b>				
1	D149729	Steering Cylinder	1	28
2	126144A1	Ball Joint - 580SK, 590	1	4.5
2	N14402	Ball Joint - 580K	1	5.1
3	126145A1	Ball Joint - 580SK, 590	1	4.4
3	N14379	Ball Joint - 580K	1	5.1
4	N14388	Articulation	1	2.9
5	N14377	Articulation	1	3
	D149739	Seal Kit	1	0.05
		(for rod, gland, and piston)		

G17

2026 Parts Catalog

SWIVEL HOUSING

CASE 4WD



G18

2026 Parts Catalog

**SWIVEL HOUSING**

**CASE 4WD**

Ref.	Part No.	Description	Notes	Qty.	Wt.
<b>CASE 580K s/n JYG0020000 and newer, 580SK, 590</b>					
1	D150204	Housing R/H	HOUSING swivel R/H, replaces N14: Not Available	1	44
2	D150203	Housing L/H	HOUSING swivel L/H, replaces N14374 housing	1	
5	1967535C1	Bushing	BUSHING swivel housing, replaces K395033 bushing	2	0.1
6	K262143	Seal	SEAL oil, swivel housing	2	0.1
8	N14372*	Bushing	BEARING swivel cap, upper	2	0.3
9	N14373	Bearing	BEARING swivel cap, lower, two-piece bearing	2	0.4
10	K395039	Seal	SEAL bearing (Used on axles prior to Carraro serial number CAR/4253)	4	0.01
11	K395036	Shim	.10mm Th, Swivel cap (Used on axles prior to Carraro serial number CAR/4253)	UAR	0.01
11	K395037	Shim	.19mm Th, Swivel cap (Used on axles prior to Carraro serial number CAR/4253)	UAR	0.01
11	K395038	Shim	.35mm Th, Swivel cap (Used on axles prior to Carraro serial number CAR/4253)	UAR	0.01
12	N14376*	King Pin, Upper	swivel housing cap, upper	2	2.9
13	N13504	King Pin, Lower	swivel housing cap, lower (Used on axles prior to Carraro serial number CAR/4253)	2	3
16	321204	Lube, Nipple	M6 x 1, 16mm lg, Swivel cap, Replaces K965246 fitting	4	0.01
17	D150214	Screw	BOLT hex, self-locking, 14 - 2 x 35 mm, special, if used	12	0.1
18	122260A1	King Pin, Upper	swivel housing cap, upper (Used on axles Carraro s/n CAR/4253 and after)	2	2.9
19	122262A1	Washer, Belleville	upper (Used on axles Carraro s/n CAR/4253 and after)	2	0.1
20	144611A1	Spacer, NSS	bearing to upper king pin, NSS now included in N14372 bushing (Used on axles Carraro s/n CAR/4253 and after)	2	0.05
21	122261A1	Washer, Belleville	lower (Used on axles Carraro s/n CAR/4253 and after)	2	0.05
22	122259A1	King Pin, Lower	swivel housing cap, lower (Used on axles Carraro s/n CAR/4253 and after)	2	2.6

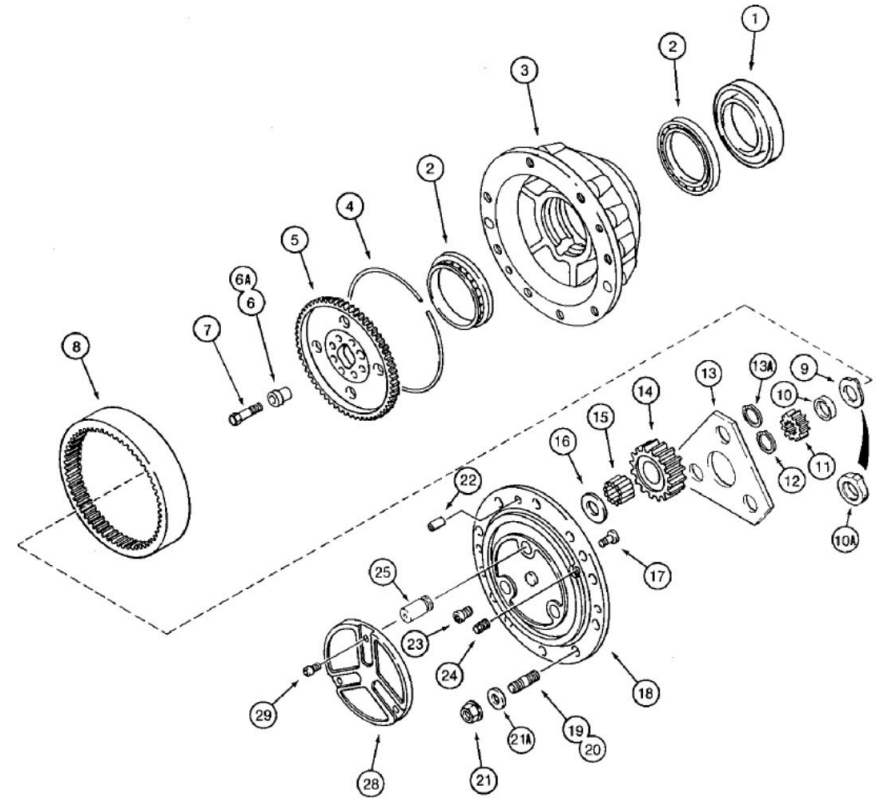
\*If swivel housing has a two-piece upper bearing, both N14372 upper bearing and N14376 upper king pin must be ordered

G19

2026 Parts Catalog

**PLANETARY**

**CASE 4WD**



G20

2026 Parts Catalog

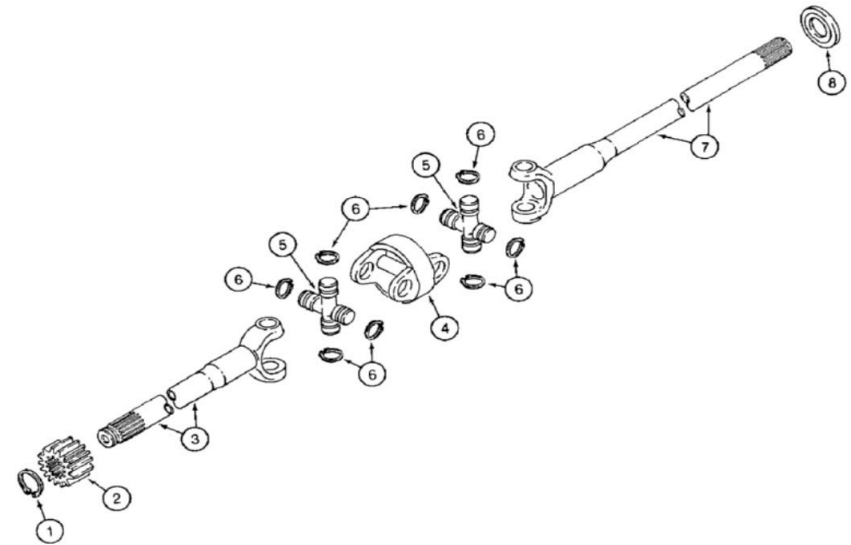
**PLANETARY CASE 4WD**

Ref. Part No.	Description	Notes	Qty.	Wt.
<b>CASE 580K s/n JYG0020000 and newer, 580SK, 590</b>				
1	1349265C1	Seal	2	0.7
2	K395101	Tapered Roller Bearing	4	2.8
3	K395123	Hub	2	
4	H437679	Snap Ring	2	
5	9968065	Wheel Carrier	2	6.3
6	K395105	Bushing	6	0.1
6A	107072A1	Centering Ring	2	0.2
7	K395131	Screw	8	0.2
8	H437677	Ring, Gear	2	
9	K395115	Washer	2	
10	K395121	Spacer	2	
10A	107073A1	Washer	2	
11	K395114	Gear	2	0.7
12	K261897	Snap Ring	2	
13	K395122	Plate	2	
13A	K395028	Snap Ring	6	
14	K395110	Gear	6	2
	N13513	Gear		2.3
15	N13514	Needle Bearing Kit	180	0.05
		BEARING needle, planetary gear, replaces K395092 (1 pkg. contains 10 bearings)		
16	K395091	Washer	6	0.05
17	K395093	Headed Pin	2	0.1
18	K395111	Pinion Carrier	2	
		COVER planetary (No Longer Available) order K262251 and N13515, Ref. 18A and 20		
18A	K262251	Pinion Carrier	2	
19	K260218	Stud	12	0.3
20	N13515	Stud	4	0.3
21	K395089	Nut	16	
21A	K395083	Washer	16	
22	K395094	Dowel	4	0.2
23	K395029	Screw	4	0.05
24	A156873	Plug, Drain	2	0.1
25	K395124	Shaft - 580SK Only	6	
28	K395135	Cover	2	
29	K395082	Screw	6	0.05
		SCREW, Hex Soc Flat Hd, M8 x 20, 10.9, Special, Planetary cover plate		

G21

2026 Parts Catalog

**FRONT DRIVE AXLE CASE 4WD**



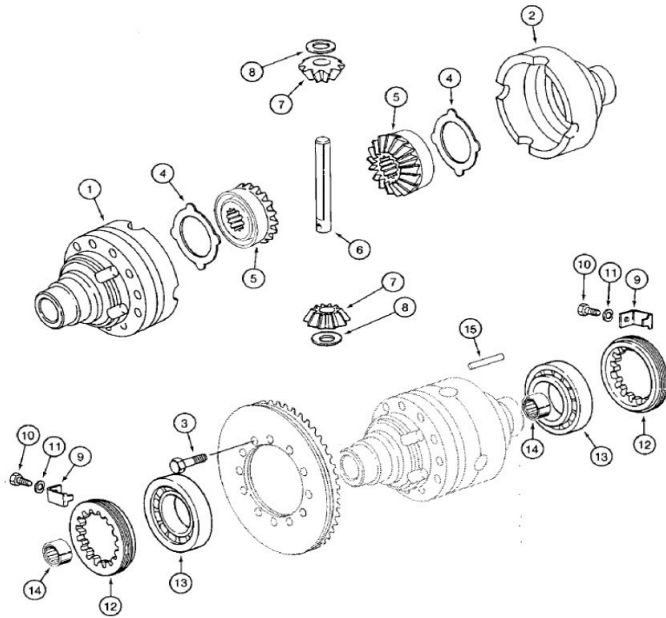
Ref. Part No.	Description	Notes	Qty.	Wt.
<b>CASE 580K s/n JYG0020000 and newer, 580SK, 590</b>				
1	K261897	Snap Ring	2	
2	K395114	Gear	2	0.7
3	N14409	Shaft	2	3.2
4	N14412	Body	2	3
5	N14411	U-joint Spider	4	1
6	N14410	Ring	16	0.01
7	D149735	Shaft	2	11
8	1966164C1	Seal	2	0.1
		Replaces K395103 seal		

G22

2026 Parts Catalog

**FRONT DIFFERENTIAL**

**CASE 4WD**



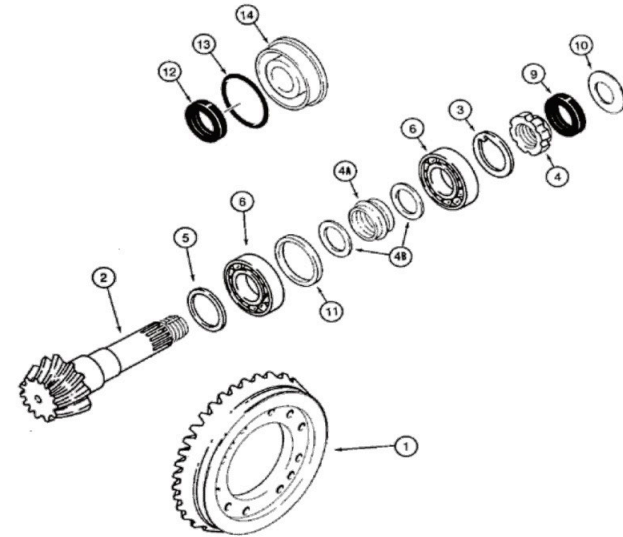
Ref. Part No.	Description	Notes	Qty.	Wt.
<b>CASE 580K s/n JYG0020000 and newer, 580SK, 590</b>				
109686A1	Housing Assy.	HOUSING ASSEMBLY differential, replaces 1349056C1 housing, Includes Ref. 1 and 2 Non-Stock	1	
1	NSS	NSS HOUSING differential, flange half	1	
2	NSS	NSS HOUSING differential, plain half	1	
3	827-10075	Bolt BOLT - hex, 10 - 1.5 x 75 mm, class 10.9	12	
4	1967003C1	Washer	2	0.05
5	N14407	Gear, Side Differential for service order 231397A1 kit	2	1.7
6	K395087	Shaft SHAFT - Pinion gear	1	0.8
7	N14408	Sun Gear GEAR pinion, differential	2	0.4
8	K395075	Washer WASHER, THRUST, Pinion gear	2	0.01
9	K261869	Lock CLIP Non-Stock	2	
10	614-6012	Bolt BOLT, Hex, M6 x 12, 8.8 Non-Stock	2	
11	892-11006	Lock Washer WASHER, LOCK, M6 Non-Stock	2	
12	1966559C1	Locking Ring RING, LOCKING, Replaces K261868 ring	2	0.4
13	K395027	Tapered Roller bearing BEARING, ROLLER, TAPERED, Differential	2	1.2
14	1967625C1	Bushing BUSHING housing Non-Stock	2	
16	K395086	Pin PIN dowel	1	0.05

**G23**

2026 Parts Catalog

**FRONT RING & PINION**

**CASE 4WD**



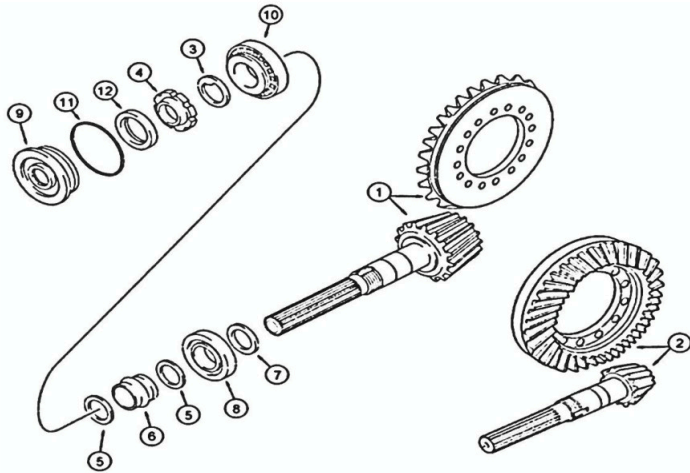
Ref. Part No.	Description	Notes	Qty.	Wt.
<b>CASE 580K s/n JYG0020000 and newer, 580SK, 590</b>				
D149266	Bevel Gear	GEAR SET ring & pinion (Includes Ref. 1 - 4B, 11)	1	
1	NSS	GEAR, ring Not Serviced Separately	1	
2	NSS	GEAR, pinion Not Serviced Separately	1	
3	K261065	Washer WASHER special, replaces N7536, NSS	1	
4	K261014	Nut RING nut pinion gear, replaces K261852 ring, NSS	1	
4A	1349058C1	Spacer SPACER collapsible, NSS	1	
4B	1349059C1	Washer WASHER spacer, NSS	2	
5	K965282	Shim SHIM, 2.60mm Th Non-Stock	UAR	
5	K965284	Shim SHIM, 2.70mm Th Non-Stock	UAR	
5	K965288	Shim SHIM, 2.90mm Th Non-Stock	UAR	
5	K965290	Shim SHIM 3.00 mm Th Non-Stock	UAR	
5	K965294	Shim SHIM, 3.20mm Th Non-Stock	UAR	
5	K965298	Shim SHIM, 3.40mm Th Non-Stock	UAR	
6	K395090	Bearing BEARING, ROLLER, TAPERED, Pinion gear	2	1.6
9	D149731	Oil Seal Replaced by items 12, 13 & 14	1	
10	D149732	Shroud	1	
11	N14405	Spacer SPACER bearing cup, NSS, included with D149266 gear set, re	1	
12	K262143	Seal SEAL oil, used with Ref. 14, 128570A1 cover	1	0.1
13	238-5152	O-ring O-RING, -152, 70 Duro, 3.237" ID x .103" Thk	1	0.01
14	128570A1	Flange COVER differential	1	1.4

**G24**

2026 Parts Catalog

REAR AXLE RING & PINION

CASE



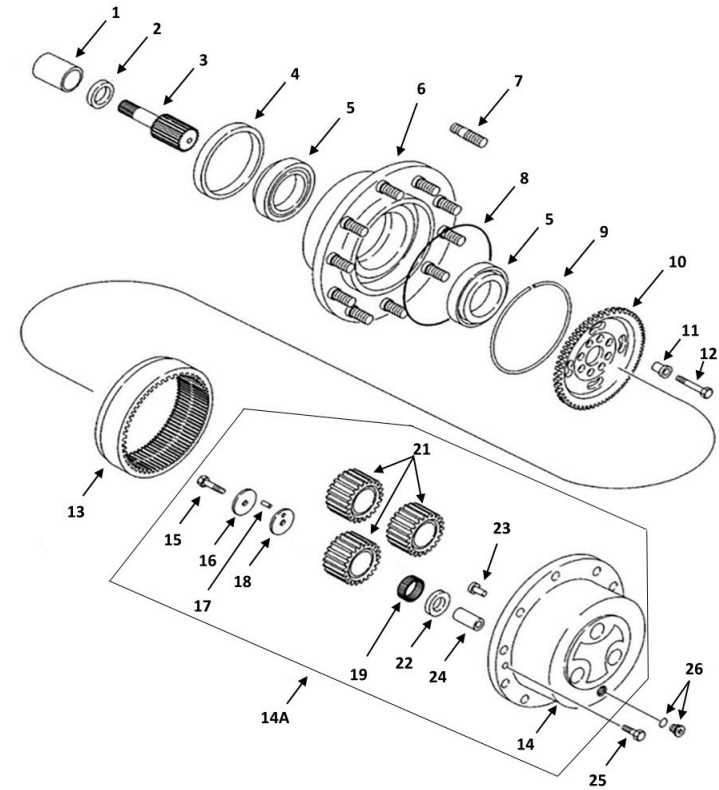
Ref. Part No.	Description	Notes	Qty.	Wt.
<b>CASE 580SL Ser. 2, 580SM, 580SM Ser.2</b>				
1	294189A1	Ring & Pinion Gear Set	(clockwise) Includes ref. 1, 3-6	1 21
2	294190A1	Ring & Pinion Gear Set	(counter clockwise) Non-Stock	1 0.1
3	9968031	Lock Washer		1 0.2
4	9968032	Ring Nut		2 0.1
5	9968033	Washer		1 0.05
6	87580364	Spacer		1 0.1
7	85812288	Shim	2.5 mm thick Not Available	1 0.1
7	85812289	Shim	2.6 mm thick	1 0.1
7	85812290	Shim	2.7 mm thick	1 0.1
7	85812291	Shim	2.8mm thick	1 0.1
7	85812292	Shim	2.9 mm thick	1 0.1
7	85812293	Shim	3.0 mm thick	1 0.1
7	85812294	Shim	3.1 mm thick	1 0.1
7	85812295	Shim	3.2 mm thick	1 0.1
7	85812296	Shim	3.3 mm thick	1 0.1
7	85812297	Shim	3.4 mm thick	1 0.1
8	E135762	Bearing	cup & cone	1 2.2
9	128570A1	Flange		1 1.4
10	K395090	Bearing	cup & cone	1 1.6
11	238-5152	O-Ring		1 0.01
12	K262143	Seal		1 0.1

G25

2026 Parts Catalog

REAR AXLE PLANETARY

CASE



G26

2026 Parts Catalog

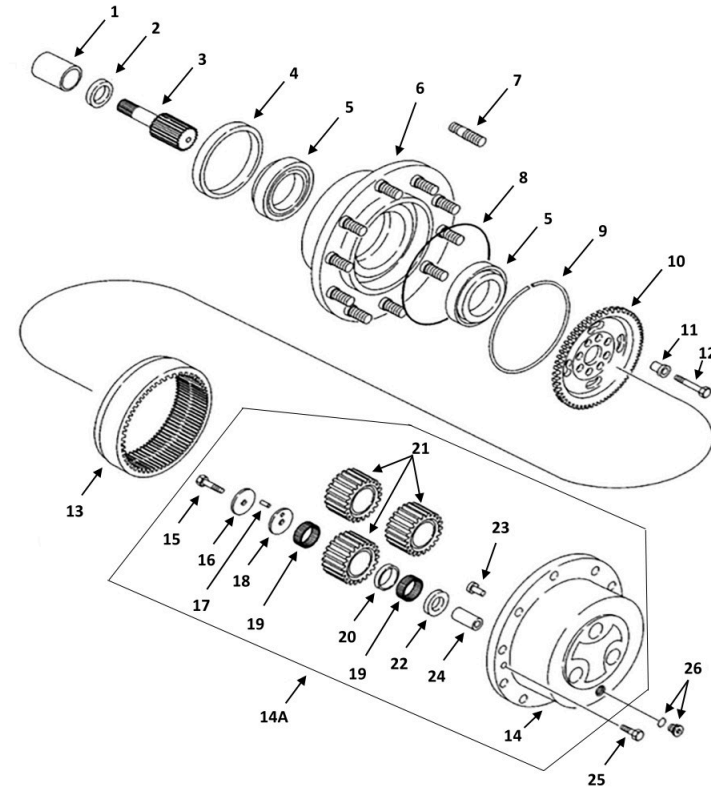
**REAR AXLE PLANETARY**

**CASE**

Ref. Part No.	Description	Notes	Qty.	Wt.
<b>CASE 580L, 580SL</b>				
1	100532A1	Bushing	2	0.2
2	175987A1	Seal	2	0.2
3	175986A1	Shaft	2	3.0
4	1349265C1	Seal - used with 175974A1	2	0.7
		149 x 176 x 16mm		
5	K395101	Bearing	4	2.8
		cup & cone		
6	175974A1	Hub Assembly	2	52
		includes ref #4,5,7,8		
		uses 1349265C1 seal		
7	D142986	Stud	10	0.5
		w/out flanged collar		
8	P2930467	O-Ring	2	0.01
9	175984A1	Locking Ring	2	0.15
10	85817684	Wheel Carrier	2	6.2
		uses 16 of 107071A1 bushing		
10	175983A1	Wheel Carrier	2	6.0
		uses 14 of 107071A1 and 2 of 107072A1 bushing		
11	107072A1	Bushing	2	0.2
		24mm O.D., used w/ 175983A1 carrier		
11	107071A1	Bushing	16	0.15
		20mm O.D.		
12	K395131	Bolt	16	0.2
13	175976A1	Ring Gear	2	9.4
14A	175977A1A	Planetary Carrier Assembly (includes ref #14-22,24)	2	55
14	175977A1	Planetary Carrier	2	
		replaced by 175977A1A		
15	175982A1	Bolt	6	0.1
16	175990A1	Thrust Washer	6	0.1
17	247550A1	Needle Bearing, Pack of 10	1	0.05
18	175980A1	Washer	6	0.1
19	175978A1	Needle Bearing, Pack of 10	38	0.2
21	175979A1	Planetary Gear	6	4.0
22	175989A1	Washer	6	0.2
23	K395093	Pin, Headed	2	0.1
24	NSS	Bushing		Not Sold Separately
25	905876R1	Screw	4	0.05
26	100557A1	Drain Plug	2	0.2
		includes o-ring		

**REAR AXLE PLANETARY**

**CASE**



**G27**

2026 Parts Catalog

**G28**

2026 Parts Catalog

**REAR AXLE PLANETARY**

**CASE**

Ref. Part No.	Description	Notes	Qty.	Wt.
<b>CASE 580L Ser.2, 580SL Ser. 2, 580M, 580M Ser.2, 580SM, 580SM Ser.2, 580SM+ Ser.2</b>				
1	196065A1	Bushing	2	0.2
2	196066A1	Seal	2	0.05
4	1349265C1	Seal - Used with 367233A1	2	0.7
5	K395101	Bearing <i>cup &amp; cone</i>	4	2.8
6	175974A1	Hub Assembly <i>uses 1349265C1 seal</i>	2	52.0
7	D142986	Stud <i>w/out flanged collar</i>	10	0.5
7	196090A1	Stud <i>w/ flanged collar for recessed holes - Not available</i>	10	
8	P2930467	O-Ring	2	0.01
9	175984A1	Locking Ring	2	0.15
10	310492A1	Wheel Carrier	2	6.2
11	107071A1	Bushing, 20mm O.D.	16	0.15
12	K395131	Bolt, M14x65mm	16	0.2
13	175976A1	Ring Gear	2	9.4
15	175982A1	Bolt, M10X50mm	6	0.1
17	247550A1	Needle Bearing, Pack of 10	1	0.05
23	K395093	Pin, Headed	2	0.1
24	NSS	Bushing <i>Not Sold Separately</i>		
25	K395082	Screw	4	0.05
26	100557A1	Drain Plug <i>includes o-ring</i>	2	0.2

<b>CASE 580L Ser.2, 580M, 580M Ser.2</b>				
3	358286A1	Shaft	2	4.5
14A	175977A1A	Planetary Carrier Assembly <i>(includes ref #14-22, 24)</i>	2	55.0
14	175977A1	Planetary Carrier <i>replaced by 175977A1A</i>	2	
16	175990A1	Thrust Washer	6	0.1
18	175980A1	Washer	6	0.1
19	175978A1	Needle Bearing, Pack of 10	17	0.2
21	175979A1	Planetary Gear	6	4.0
22	175989A1	Washer	6	0.2

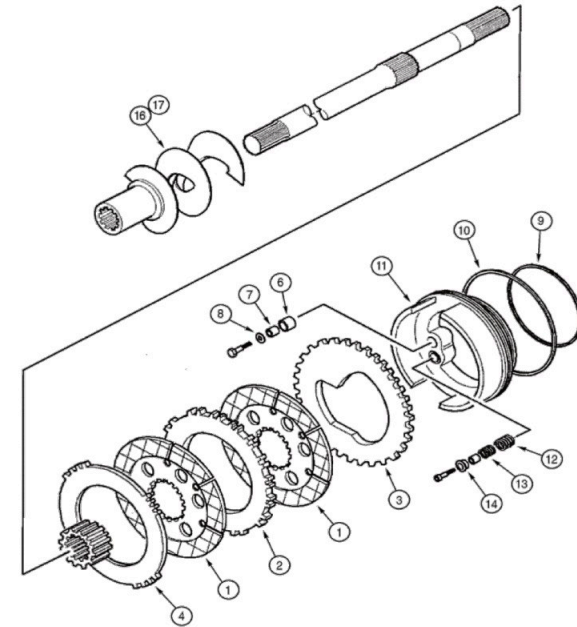
<b>CASE 580SL Ser.2, 580SM, 580SM Ser.2, 580SM+ Ser.2</b>				
3	292896A1	Shaft	2	4.4
14A	292891A1A	Planetary Carrier Assembly <i>(includes ref #14-22, 24)</i>	2	75.0
14	292891A1	Planetary Carrier <i>not available - order 292891A1A</i>	2	
16	292900A1	Thrust Washer	6	0.2
18	292898A1	Washer	6	0.2
19	292893A1	Needle Bearing, Pack of 10	38	0.05
20	292901A1	Washer	6	0.05
21	292894A1	Planetary Gear	6	4.0
22	292899A1	Washer	6	0.05

G29

2026 Parts Catalog

**REAR BRAKE DIFFERENTIAL**

**CASE**



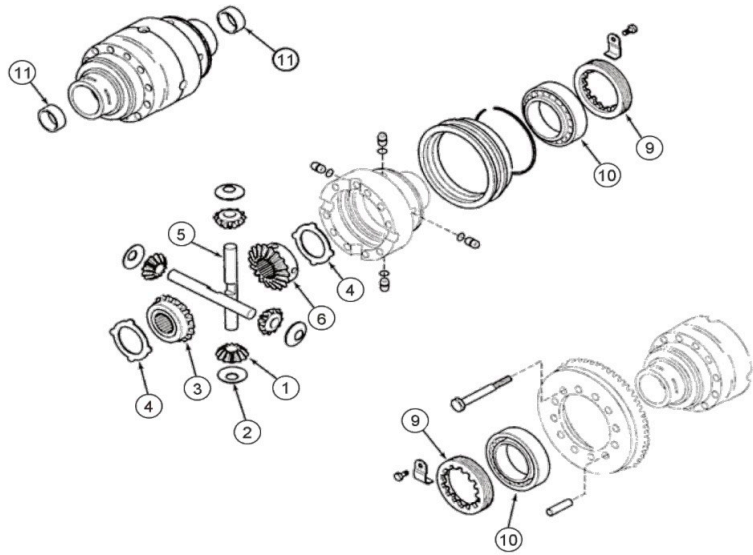
Ref. Part No.	Description	Notes	Qty.	Wt.
<b>CASE 580L Ser. 2, 580SL Ser. 2, 580M, 580M Ser. 2, 580SM, 580SM Ser.2</b>				
1	237021A1	Brake Disc, Friction	4	1.6
2	237022A1	Brake Disc, Steel	2	3.8
3	85827748	Brake Disc, Steel	2	3.6
4	308030A1	Brake Disc, Friction	2	2
6	190449A1	Split Pin	6	
7	190496A1	Bushing	12	
	358212A1	Kit, Self Adjusting <i>Includes Ref. 6 &amp; 7</i>	1	0.4
8	190450A1	Washer	6	0.01
9	308036A1	O-Ring	2	0.01
10	190493A1	O-Ring	2	0.01
11	359653A1	Piston	2	10.4
12	237025A1	Spring	6	0.05
13	237026A1	Spring	6	0.5
14	190500A1	Cover	6	0.05
16	295112A1	Auger, R/H	1	2.8
17	295113A1	Auger, L/H	1	2.8

G30

2026 Parts Catalog

REAR AXLE DIFFERENTIAL

CASE



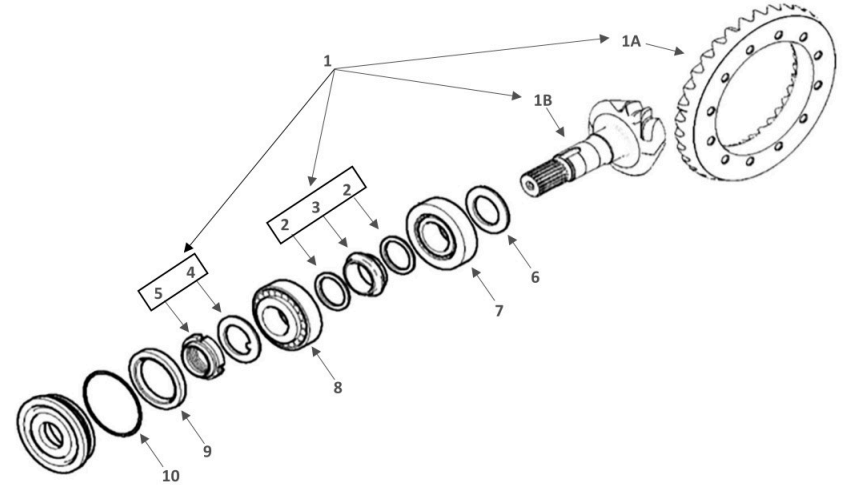
Ref. Part No.	Description	Notes	Qty.	Wt.
<b>CASE 580L Ser. 2, 580SL Ser. 2, 580M, 580M Ser. 2, 580SM, 580SM Ser. 2</b>				
1	190471A1	Pinion	NSS	4
2	E135777	Washer	NSS	4
3	D142971	Pinion	NSS	1
4	190469A1	Thrust Washer	NSS	2
5	190468A1	Shaft	NSS	2
6	292890A1	Gear	NSS	1
	294192A1	Differential Kit	Includes Ref. 1 - 6	1 14
9	85827745	Nut		2 0.4
10	86998145	Bearing		2 1.4
11	85827758	Bushing		2 0.1

G31

2026 Parts Catalog

REAR AXLE RING & PINION

CASE



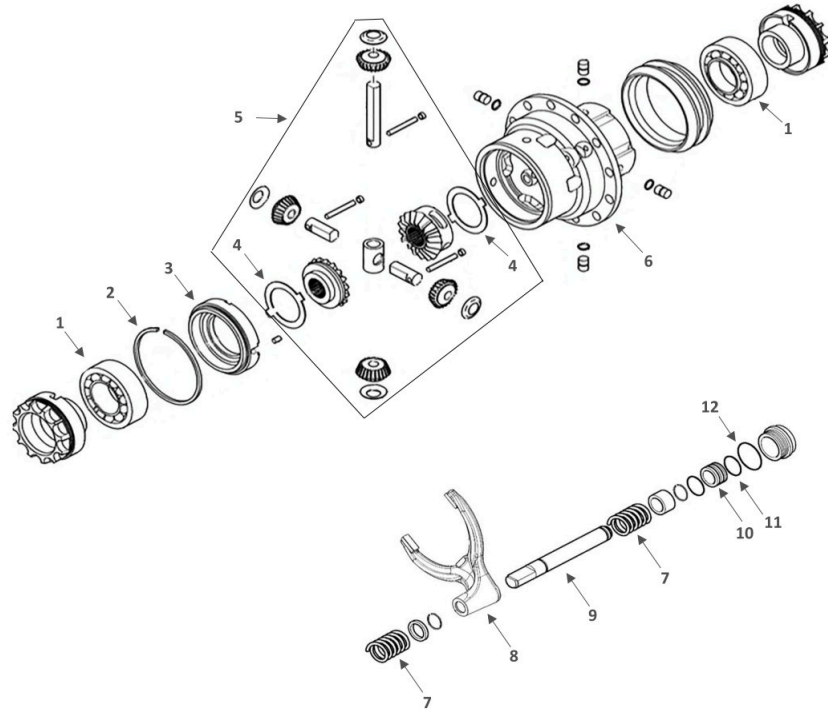
Ref. Part No.	Description	Notes	Qty.	Wt.
<b>CASE 570N EP, 570NXT, 580M Ser.3, 580N EP, 580N, 580SM Ser.3, 580SM+ Ser.3, 580SN</b>				
1	87708393	Gear Set	Includes Ref #1A,1B, 2-5	1 25.0
2	1349059C1	Washer	NSS	2
3	175957A1	Spacer	NSS	1
4	N7536	Washer	NSS	1
5	K261014	Ring Nut	NSS	1
6	190506A1	Shim, 2.5mm	Not Available	UAR
6	190508A1	Shim, 2.6mm	Not Available	UAR
6	190509A1	Shim, 2.7mm	Not Available	UAR
6	190510A1	Shim, 2.8mm	Not Available	UAR
6	190511A1	Shim, 2.9mm	Not Available	UAR
6	190512A1	Shim, 3.0mm	Not Available	UAR
6	190513A1	Shim, 3.1mm	Not Available	UAR
6	190514A1	Shim, 3.2mm	Not Available	UAR
6	190515A1	Shim, 3.3mm	Not Available	UAR
6	190516A1	Shim, 3.4mm	Not Available	UAR
7	P1139855X	Ball Bearing		1 2.0
8	K395090	Tapered Bearing		1 1.6
9	K262143	Oil Seal		1 0.1
10	445720A1	O-Ring	Not Available	1

G32

2026 Parts Catalog

REAR AXLE DIFFERENTIAL / DIFFERENTIAL LOCK

CASE



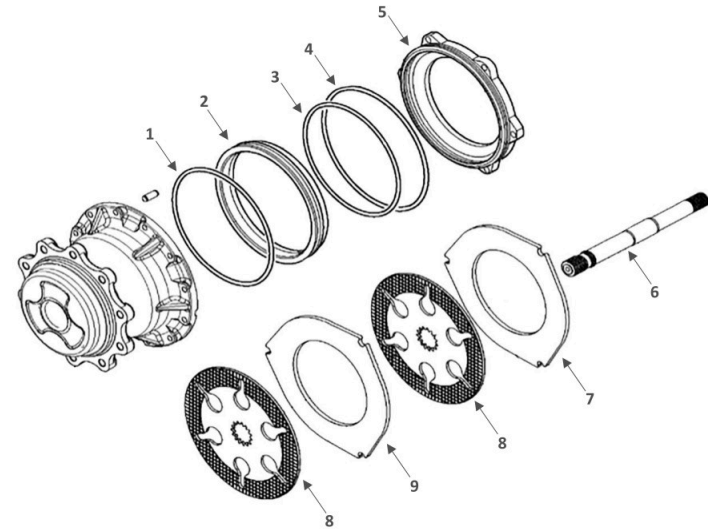
Ref. Part No.	Description	Notes	Qty.	Wt.
<b>CASE 570N EP, 570NXT, 580M Ser.3, 580N EP, 580N, 580SM Ser.3, 580SM+ Ser.3, 580SN</b>				
1	E135785	Bearing	2	1.4
2	87708409	Circlip	1	0.1
3	87708408	Housing	1	2.5
4	87708395	Drive Plate	2	0.1
5	87708394	Service Kit	1	15.0
6	87708403	Differential Housing	1	17.0
7	175966A1	Spring	2	0.2
8	87708424	Shifter Fork	1	3.0
9	87708422	Piston	1	1.2
10	292212A1	Piston	1	0.5
11	292210A1	O-Ring	2	0.01
12	87708415	O-Ring	1	0.01

G33

2026 Parts Catalog

REAR BRAKE DIFFERENTIAL

CASE



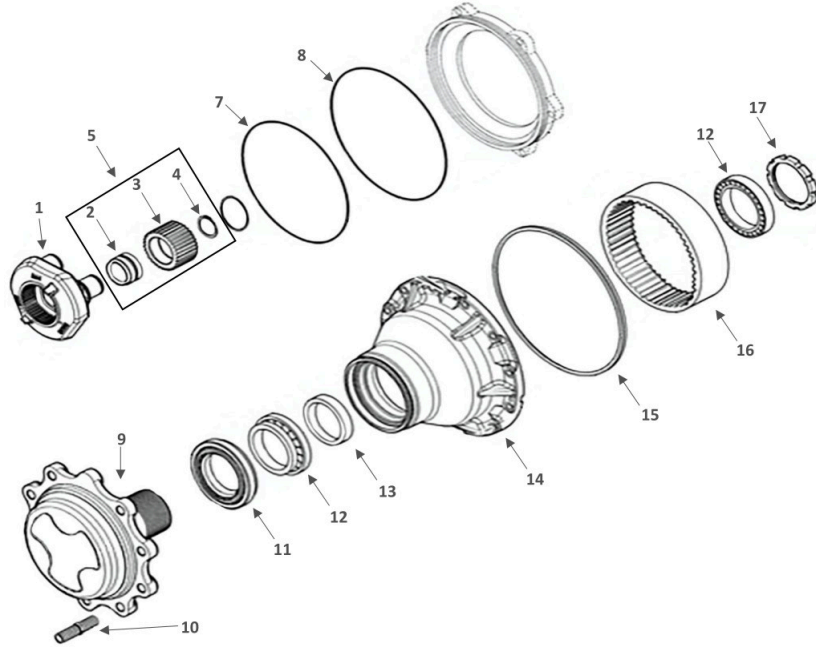
Ref. Part No.	Description	Notes	Qty.	Wt.
<b>CASE 570N EP, 570NXT, 580M Ser.3, 580N EP, 580N, 580SM Ser.3, 580SM+ Ser.3, 580SN</b>				
1	371145A1	O-Ring	2	0.01
2	87708440	Piston	2	<i>Not Available</i>
3	371144A1	O-Ring	2	0.02
4	87708438	O-Ring	2	0.02
5	87708436	Brake Cylinder	2	14.0
6	87708432	Shaft, LH Half	1	18.0
6	87708431	Shaft Assy., RH Half	1	21.0
		<i>Includes retaining rings (2), axle shaft segments (2)</i>		
7	87708433	Brake Plate, 5mm	2	4.0
8	87708434	Brake Plate, Friction	4	4.6
9	87708435	Brake Plate, 8mm	2	6.4

G34

2026 Parts Catalog

**REAR AXLE PLANETARY**

**CASE**



Ref. Part No.	Description	Notes	Qty.	Wt.
<b>CASE 570N EP, 570NXT, 580M Ser.3, 580N EP, 580N, 580SM Ser.3, 580SM+ Ser.3, 580SN</b>				
1	87708452	Planetary Carrier	2	27.0
2	87708444	Roller Bearing	6	1.3
3	87708443	Planetary Gear	6	NSS
4	800-1150	Snap Ring, M50 Ext	6	NSS
5	47874511	Gear Set	2	11.0
6	87708453	Snap Ring	2	NSS
7	87708438	O-Ring	2	0.02
8	371144A1	O-ring	2	0.02
9	87708445	Wheel Flange	2	76
10	D142986	Wheel Stud	20	0.5
11	87349641	Seal	2	0.6
12	K395101	Bearing	2	2.8
13	87708447	Spacer	2	NSS
14	87708466	Gear Set	2	85.0
15	87711038	O-Ring	2	0.01
16	87708467	Ring Gear	2	10.0
17	NSS	Ring Nut	1	NSS
47579403	Ring Nut Kit	Includes Ref #6 - 8, 11-13, 15, 17	2	9.0

**G35**

2026 Parts Catalog

**FRONT AXLE KITS**

**CARRARO**

<b>CASE 570L, 580L, 580SL, 580M, 580SM, 585G, 586G, 588G</b>		Qty.	Wt.
PV700102	Corner Kit, R/H	1	113
PV700102-A	Corner Kit, R/H ASSEMBLED	1	113
PV700103	Corner Kit, L/H	1	113
PV700103-A	Corner Kit, L/H ASSEMBLED	1	113
PV700101	Small Parts Kit, Planetary	2	17
PV720101	Front Axle Parts Kit	2	2
PV710101	King Pin Kit	2	6
<b>CASE 580K, 580SK s/n -CAR/4253, 590 s/n -CAR/4253</b>			
PV710103	King Pin Kit	2	9
<b>CASE 580SK s/n CAR/4253-, 590 s/n CAR/4253-</b>			
PV710105	King Pin Kit	2	8
<b>CASE 580M Series 2 &amp; 3, 580SM Series 2 &amp; 3 - 2WD</b>			
PV710107	King Pin Kit, 2WD	2	8
		<i>Will fit 580M &amp; 580SM with 86990837 Axle</i>	

**G36**

2026 Parts Catalog

**NEW PRODUCTS  
TO LOOK FOR...**

*in 2026* & more to come

**Piston  
(87618685)**

Case 580SM Ser.2,  
580SM Ser.3, 580SM+  
Ser.2, 580SM+ Ser.3  
Backhoe



PAGE B4

**Angle Cylinder  
(AHC19715/AHC19714)**

Deere 700J, 700K, 700L,  
700P Dozer



PAGE B16

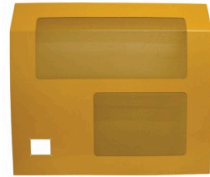
**Yoke  
(106-4723)**

Cat D5C (7PS, 8ZS,  
9DL) Dozer



PAGE A21

**Comp. Door (RH & LH)  
(350-5000/350-5007)**



Cat 316EL, 316F,  
316FL, 318EL,  
318F, 318FL  
Excavator

PAGE I4

**Recoil Spring  
(T394625)**

Deere 850L, 850 P,  
850 X Dozer



PAGE A17

**Chain Guide RH  
(13Y-30-16123)**

Komatsu D61 Dozer



PAGE A34

**Idler Wear Kit  
(PV3007)**



Komatsu D61EX-23,  
D61EXi-23, D61PX-23,  
D61PXi-23, D61EX-24,  
D61EXi-24, D61PX-24,  
D61PXi-24 Dozer

PAGE A28



**SECTION H  
BACKHOE PARTS -  
STABILIZER PARTS, LINKAGE,  
PINS, & BUSHINGS**



Backhoe Booms & Dipper Arms

Backhoe Bucket Linkage

Front Loader Parts

Stabilizer Legs

Backhoe Pins & Bushings

Swing Tower Parts



[www.paintvalleyequipment.com](http://www.paintvalleyequipment.com)

Phone: 877-774-0081

Section H

## SECTION H

### BACKHOE PARTS - STABILIZER PARTS, LINKS, PINS, & BUSHINGS

	Page
<b>CASE</b>	
FRONT LOADER PARTS	H1
MOUNTING FRAME & STABILIZER	H2 - H7
SWING TOWER	H8 - H12
BOOM	H13 - H15
DIPPER ARM	H18 - H20
CASE 580N, 580SN	H23 - H27
<b>CATERPILLAR</b>	H28 - H29
<b>JOHN DEERE</b>	
STABILIZER & SWING TOWER	H30 - H37
LINKAGE PARTS	H32, H36
BOOM & DIPPER ARM	H33 - H35
FRONT LOADER PARTS	H37

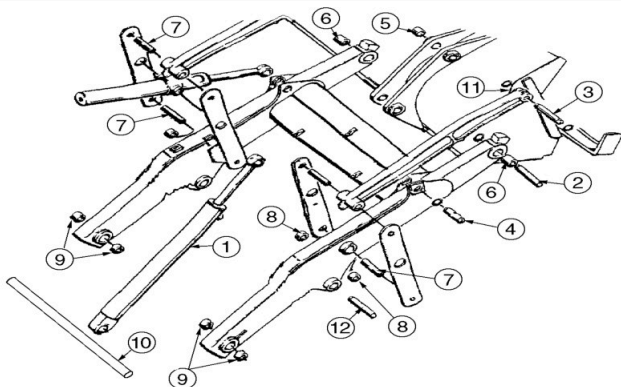


## Section H

2026 Parts Catalog

**FRONT LOADER PARTS**

CASE



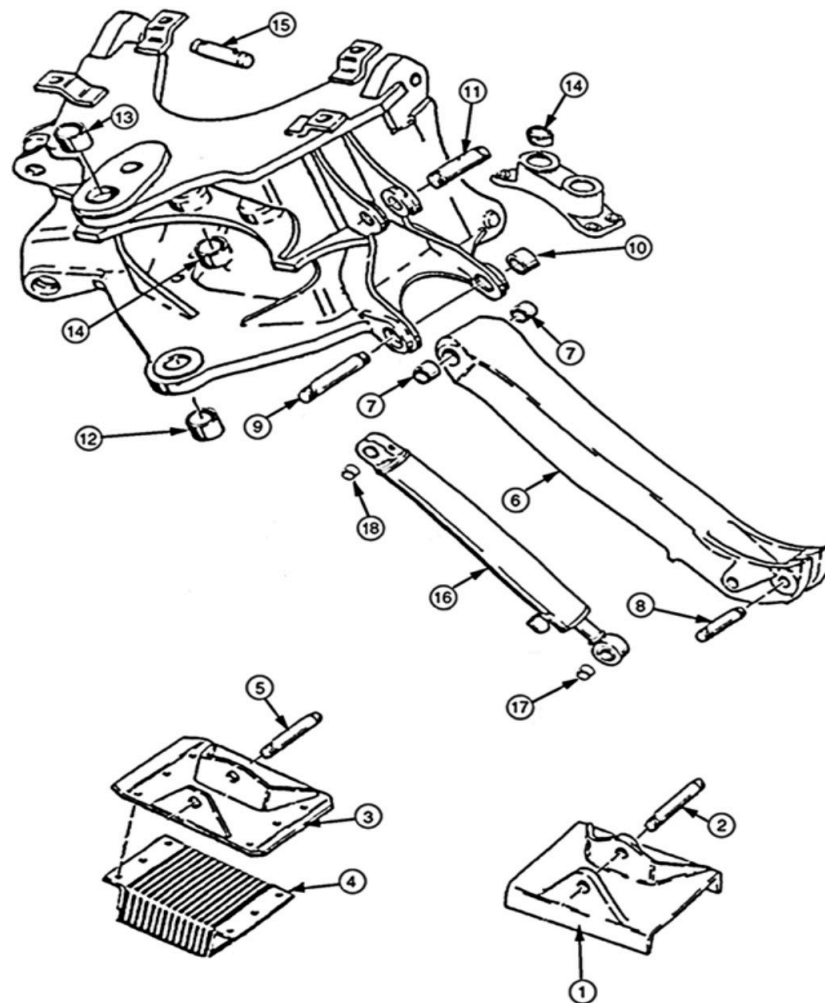
Ref. Part No.	Description	Notes	Qty.	Wt.
<b>CASE 580C, 580D, 580E Loader Pins &amp; Bushings</b>				
1	Loader Lift Cylinder, see Section B			
2	D126717	Pin <i>Bucket, Lower</i>	2	4
3	D126718	Pin <i>Bucket, Upper</i>	2	4
4	D89321	Pin <i>Tilt Cylinder Rod, 580D, 580E</i>	2	2.1
6	D30931	Bushing <i>Loader Frame</i>	2	0.6
7	D30933	Bushing <i>Link to Linkage</i>	4	0.4
8	100696A1	Bushing <i>Bucket Link Pivot</i>	4	0.3
9	D37392	Bushing <i>Loader Frame</i>	4	0.2
10	D129819	Shaft <i>Main Frame</i>	1	29
11	D30931	Bushing <i>Linkage Bucket</i>	2	0.6
12	D67357	Pin <i>Lift Cylinder</i>	2	2.7
<b>CASE 580K, 580SK Loader Pins &amp; Bushings</b>				
1	Loader Lift Cylinder, see Section B			
2	D129256	Pin <i>Bucket, Lower</i>	2	3.6
3	D129257	Pin <i>Bucket, Upper</i>	2	3.6
4	D129279	Pin <i>Tilt Cylinder Rod</i>	2	2.2
5	D129264	Bushing <i>Bucket</i>	8	0.4
6	D129240	Bushing <i>Loader Frame</i>	2	0.8
7	D132076	Bushing <i>Cylinder Link</i>	4	1.3
8	100696A1	Bushing <i>Bucket Link Pivot</i>	4	0.3
9	D37392	Bushing <i>Loader Frame</i>	4	0.2
10	182650A1	Shaft <i>Main Frame</i>	1	30
11	D129240	Bushing <i>Bucket Link</i>	2	0.8
<b>CASE 580L, 580SL, 580M, 580SM Loader Pins &amp; Bushings</b>				
2	118901A1	Pin <i>Bucket upper and lower</i>	4	3.8
6	109268A1	Bushing <i>Loader Frame</i>	4	0.8
<b>580, 580B, 580C, 580D, 580E, 580K, 580SK, 580L, 580SL, 580M, 580SM, 580N</b>				
	D51392	Pin <i>Clam Cylinder Rod End, 4 in 1 Bucket</i>	2	1.3
	D51393	Pin <i>Clam Cylinder Tube End, 4 in 1 Bucket</i>	2	2.0

H1

2026 Parts Catalog

**MOUNTING FRAME & STABILIZER PARTS**

CASE



H2

2026 Parts Catalog

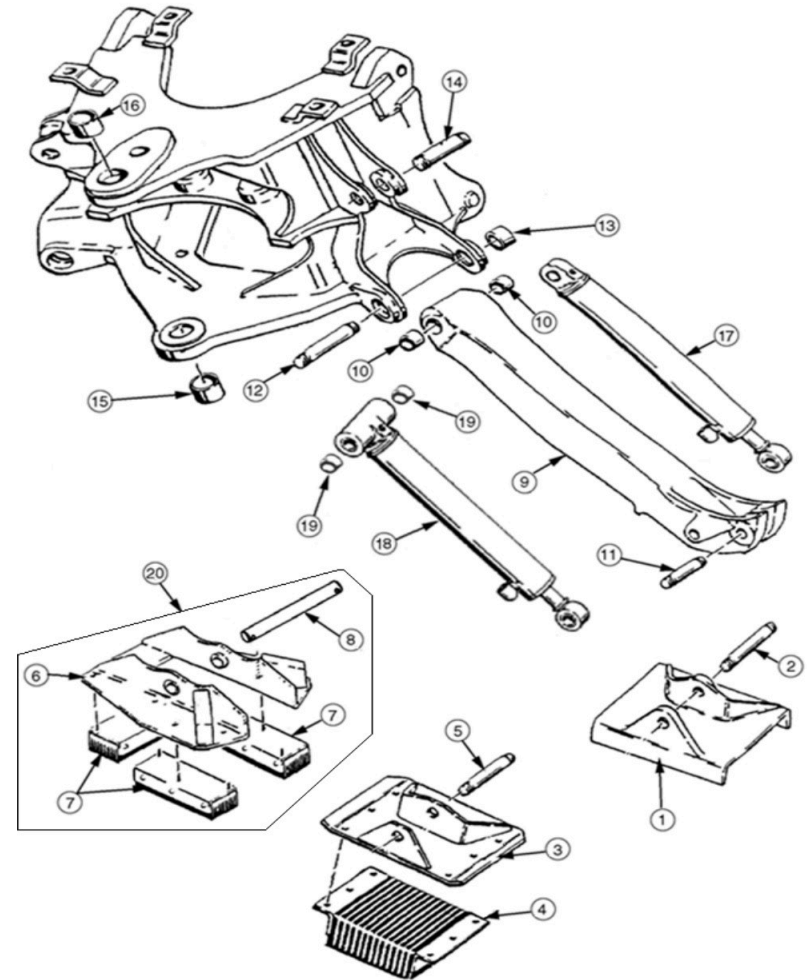
**MOUNTING FRAME & STABILIZER PARTS**

**CASE**

Ref.	Part No.	Description	Notes	Qty.	Wt.
<b>CASE 580B, 580C, 580D, 580E</b>					
1	D88427	Stabilizer Plate	Cleat	2	55
2	D28648	Pin	Stabilizer Plate to Leg - Cleat	2	5.1
3	D142519	Stabilizer Plate	Rubber	2	55
4	D61368	Rubber Pad		2	31
5	D50696	Pin	Stabilizer Plate to Leg - Rubber	2	5
6	446222A1	Stabilizer Leg	580E	2	160
7	D37443	Bushing	Stabilizer Leg 580B, 580C	2	0.8
7	D50146	Bushing	Stabilizer Leg 580D, 580E	2	0.7
8	D50695	Pin	Cylinder to Leg 580B, 580C, 580D 7 3/4" long	2	3.8
8	D26002	Pin	Cylinder to Leg 580D, 580E 7 1/4" long	2	3.6
9	D67308	Pin	Stabilizer Leg to Frame 580B, 580C	2	9
9	D89838	Pin	Stabilizer Leg to Frame 580D, 580E	2	8.6
10	D43940	Bushing	Stabilizer Anchor 580B, 580C	4	0.5
10	D37495	Bushing	Stabilizer Anchor 580D, 580E	4	0.6
11	D29483	Pin	Cylinder to Frame 580B, 580C	2	2.8
11	D32930	Pin	Cylinder to Frame 580D, 580E	2	2.5
12	D31142	Bushing	Frame to Swing Tower, Lower 580B, 580C	1	0.8
12	D90722	Bushing	Frame to Swing Tower, Lower 580D, 580E	1	1.5
13	D30756	Bushing	Frame to Swing Tower, Upper 580B, 580C	1	0.6
13	D90722	Bushing	Frame to Swing Tower, Upper 580D, 580E	1	1.5
14	D60159	Bushing	Swing Cylinder Mount	4	0.6
15	D49812	Pin	Backhoe Mount, Lower	4	2.6
<b>CASE 580B, 580C</b>					
16	G101180	Stabilizer Cylinder, R/H		2	89
16	G101181	Stabilizer Cylinder, L/H		2	89
17	D32865	bushing		2	0.2
18	D36203	Bushing, sold separate		1	0.9
<b>CASE 580D, 580E</b>					
16	G109139	Stabilizer Cylinder, L/H		2	96
16	G109140	Stabilizer Cylinder, R/H		2	96
17	D32865	bushing		2	0.2
18	D32865	bushing		2	0.2
<b>MISC. HARDWARE</b>					
	D25279	Snap ring	1 1/2"	UAR	0.05
	103-16175	Snap ring	1 3/4"	UAR	0.05
	U11649	Washer	1 1/2" 10 ga.	UAR	0.1
	495-81292	Washer	1 1/2" 14 ga.	UAR	0.1
	495-81226	Washer	1 3/4" 10 ga.	UAR	0.1
	30575	Washer	1 3/4" 14 ga.	UAR	0.1

**MOUNTING FRAME & STABILIZER PARTS**

**CASE**



**H3**

2026 Parts Catalog

**H4**

2026 Parts Catalog

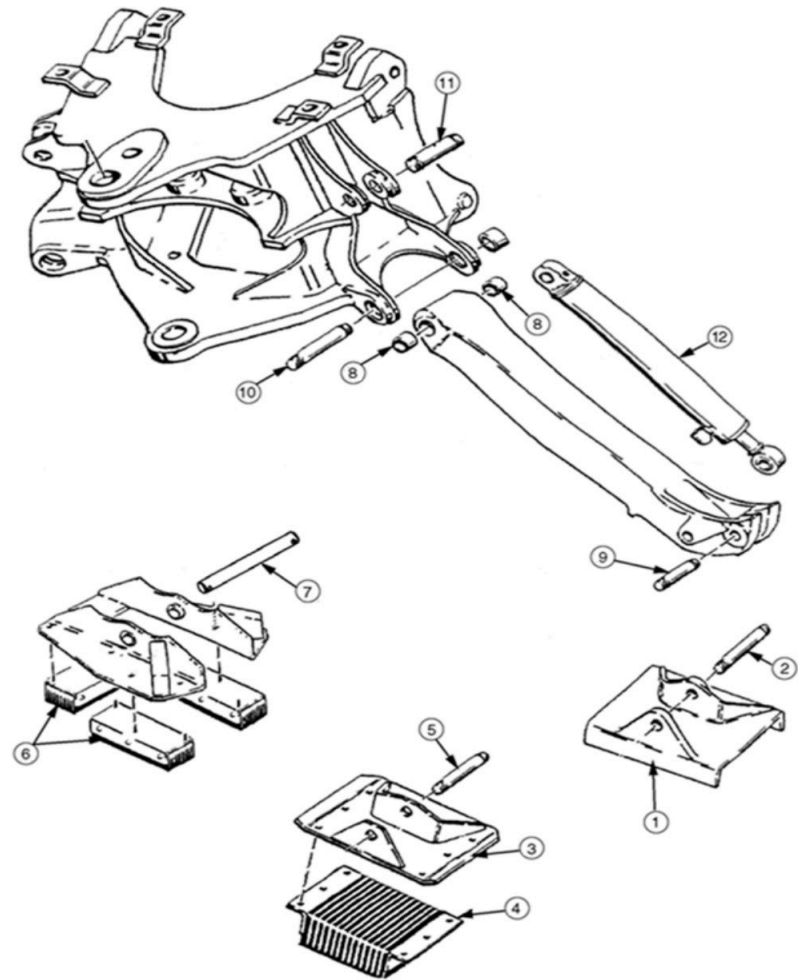
**MOUNTING FRAME & STABILIZER PARTS**

**CASE**

Ref.	Part No.	Description	Notes	Qty.	Wt.
<b>CASE 580K, 580SK, 580L, 580SL, 580M, 580SM</b>					
1	D88427	Stabilizer Plate	Cleat	2	55
2	D28648	Pin	Stabilizer Plate to Leg - Cleat	2	5.1
3	D142519	Stabilizer Plate	Rubber	2	55
4	D61368	Rubber Pad		2	31
5	D39256	Pin	Stabilizer Plate to Leg - Rubber	2	5
20	186405A1	Stabilizer Pad Set / NLA - Order components separately		2	130
6	189955A1	stabilizer plate	Flip Over	2	87
7	D142314	rubber pad		6	12
8	D149033	pin - stabilizer plate to leg		2	5.9
7	395753A2	Rubber Pad	580M, 580SM	4	12
9	446222A1	Stabilizer Leg		2	160
10	D50146	Bushing	Stabilizer Leg	4	0.7
11	D26002	Pin	Cylinder to Leg	2	3.6
12	D134723	Pin	Stabilizer Leg to Frame 580K	2	8
12	D89838	Pin	Stabilizer Leg to Frame 580SK	2	8.6
12	I21665A1	Pin	Stabilizer Leg to Frame	2	8.6
13	D43940	Bushing	Frame at Stabilizer Leg 580K	4	0.5
13	D37495	Bushing	Frame at Stabilizer Leg 580SK	4	0.6
13	107124A1	Bushing	Frame at Stabilizer Leg	4	0.5
14	D133509	Pin	Cylinder to Frame 580K	2	6
14	D38907	Pin	Cylinder to Frame	2	3.6
15	D135556	Bushing	Frame at Swing Tower, Lower 580K	1	1
15	D151070	Bushing	Frame at Swing Tower, Lower	1	2
16	D135555	Bushing	Frame at Swing Tower, Upper 580K	1	1
16	D151069	Bushing	Frame at Swing Tower, Upper	1	1.5
<b>CASE 580SK, 580SL, 580SM</b>					
17	199720A1	Stabilizer Cylinder, R/H		1	100
17	199721A1	Stabilizer Cylinder, L/H		1	100
<b>CASE 580L, 580M</b>					
17	195503A1	Stabilizer Cylinder, R/H		1	95
17	195504A1	Stabilizer Cylinder, L/H		1	95
<b>CASE 580K</b>					
18	G110672	Stabilizer Cylinder, R/H		1	106
18	G110673	Stabilizer Cylinder, L/H		1	106
19	D30932	bushing		4	0.3
	PVPK12	Stabilizer Pin Kit		2	11
12	D134723	pin		2	8
10	D50146	bushing		4	0.7
13	D43940	bushing		4	0.5

**MOUNTING FRAME & STABILIZER PARTS**

**CASE**



H5

2026 Parts Catalog

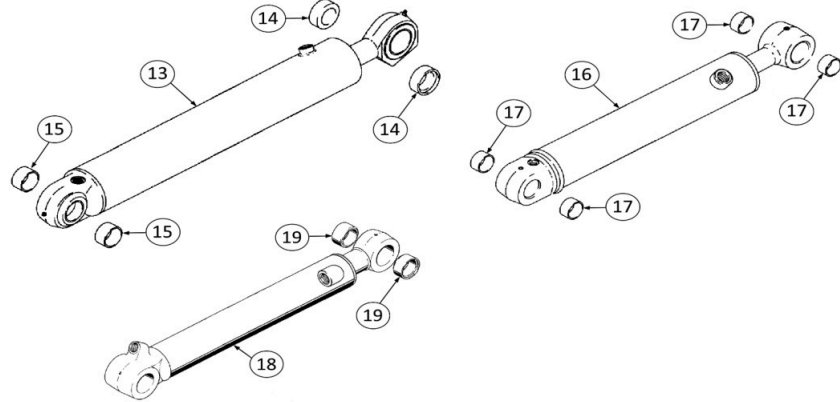
H6

2026 Parts Catalog

**MOUNTING FRAME & STABILIZER PARTS**

**CASE**

Ref. Part No.	Description	Notes	Qty.	Wt.
<b>CASE 590SL, 590SM</b>				
1	D88427	Stabilizer Plate <i>Cleat</i>	2	55
2	D28648	Pin <i>Stabilizer Plate to Leg - Cleat</i>	2	5.1
3	D142519	Stabilizer Plate <i>Rubber</i>	2	55
4	D61368	Rubber Pad	2	31
5	D39256	Pin <i>Stabilizer Plate to Leg - Rubber</i>	2	5
6	D142314	Rubber Pad <i>590SL</i>	6	12
6	395753A2	Rubber Pad <i>590SM</i>	4	12
7	D149033	Pin <i>Stabilizer Plate to Leg</i>	2	5.9
8	D50146	Bushing <i>Stabilizer Leg</i>	4	0.7
9	R26725	Pin <i>Cylinder to Leg</i>	2	4
10	121665A1	Pin <i>Stabilizer Leg to Frame</i>	2	8.6
11	D38907	Pin <i>Cylinder to Frame</i>	2	3.6
12	177256A1	Stabilizer Cylinder R/H	1	120
12	177257A1	Stabilizer Cylinder L/H	1	120



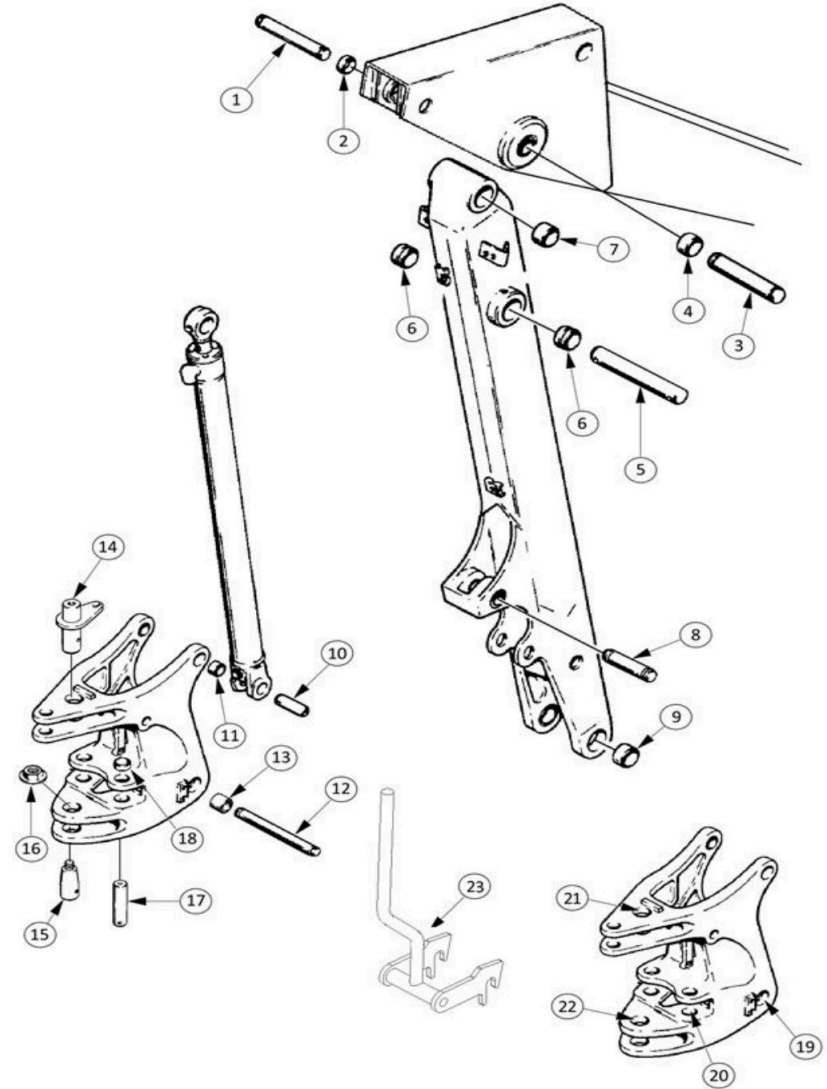
<b>CASE 590SL, 590SM</b>				
13	175785A1	Boom Cylinder	1	230
14	D151062	bushing	2	0.4
15	1980371C1	bushing	2	0.8
	1980412C2	seal kit	1	0.6
16	140965A1	Dipper Cylinder	1	188
17	1980371C1	bushing	4	0.8
	179011A1	seal kit	1	0.6
18	296434A1	Bucket Cylinder	1	155
19	D140029	bushing	2	1
	297895A1	seal kit	1	0.4

**H7**

2026 Parts Catalog

**BOOM & SWING TOWER**

**CASE**



**H8**

2026 Parts Catalog

**BOOM & SWING TOWER**

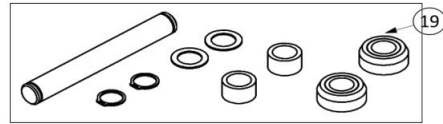
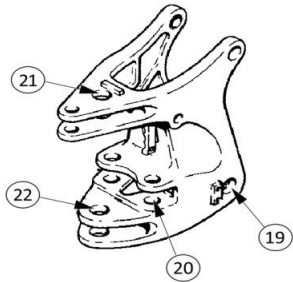
**CASE**

Ref. Part No.	Description	Notes	Qty.	Wt.
<b>CASE 580B, 580C, 580D, 580E</b>				
1	D52522	Pin	1	5.7
2	D52434	Bushing	2	0.5
2	D43940	Bushing	2	0.5
3	D45523	Pin	1	10
4	D31142	Bushing	2	0.8
5	D49865	Pin	1	10
6	D95362	Bushing	2	1
7	D31142	Bushing	2	0.8
8	D72359	Pin	1	3.9
9	D50698	Bushing	2	1.3
10	D49866	Pin	2	1.8
11	D49429	Bushing	2	0.4
12	D91240	Pin	1	14
13	D91241	Bushing	2	1.9
14	D74004	Pin	1	5
14	D90727	Pin	1	11
15	D74004	Pin	1	5
15	D123653	Pin	1	5.1
16	181042A1	Nut	1	0.5
17	D49863	Pin	2	6.4
17	D94019	Pin	2	5.1
18	D94018	Bushing	2	0.2
23	D75674	Boom Lock	1	15

**SWING TOWER PIN KITS**

**CASE 580B, 580C**

Ref. Part No.	Description	Notes	Qty.	Wt.
<b>CASE 580B, 580C</b>				
19	PVPK1	Pin Kit	1	25
20	PVPK5	Pin Kit	2	13
21	PVPK6	Pin Kit	1	13
22	PVPK7	Pin Kit	1	14

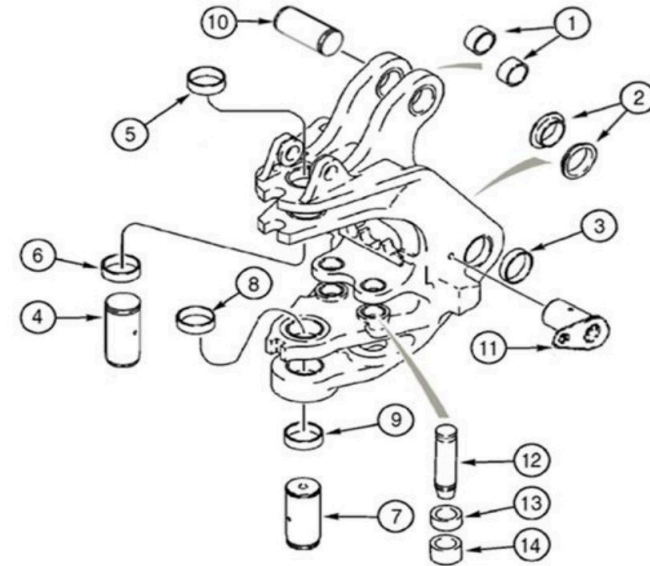


**H9**

2026 Parts Catalog

**SWING TOWER**

**CASE**



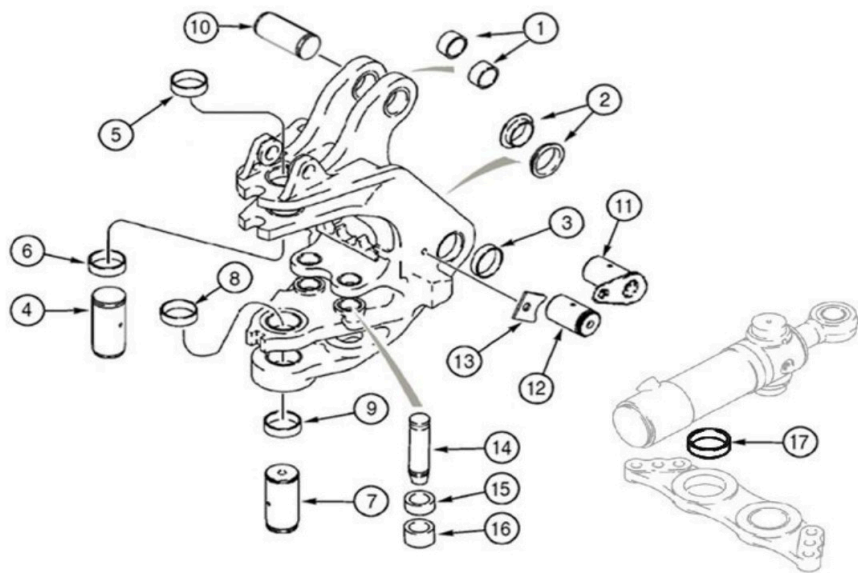
Ref. Part No.	Description	Notes	Qty.	Wt.
<b>CASE 580K, 580SK</b>				
1	D135740	Bushing	2	1.4
1	D151072	Bushing	2	1.4
2	D135742	Bushing	2	1.2
3	D135741	Bushing	2	1
4	105749A1	Pin	1	11
5	D135557	Bushing	1	1
6	D135559	Bushing	1	0.8
7	D151065	Pin	1	9.7
8	D135558	Bushing	1	1.2
8	D151073	Bushing	1	1
9	D135559	Bushing	1	0.8
9	D151074	Bushing	1	0.8
10	D144420	Pin	1	10
10	D151068	Pin	1	10
11	D140093	Pin	2	8
11	105752A1	Pin	2	8
12	D132517	Pin	2	3.1
12	D146779	Pin	2	3.3
13	D136570	Bushing	2	0.5
14	D136571	Bushing	2	0.6

**H10**

2026 Parts Catalog

SWING TOWER

CASE



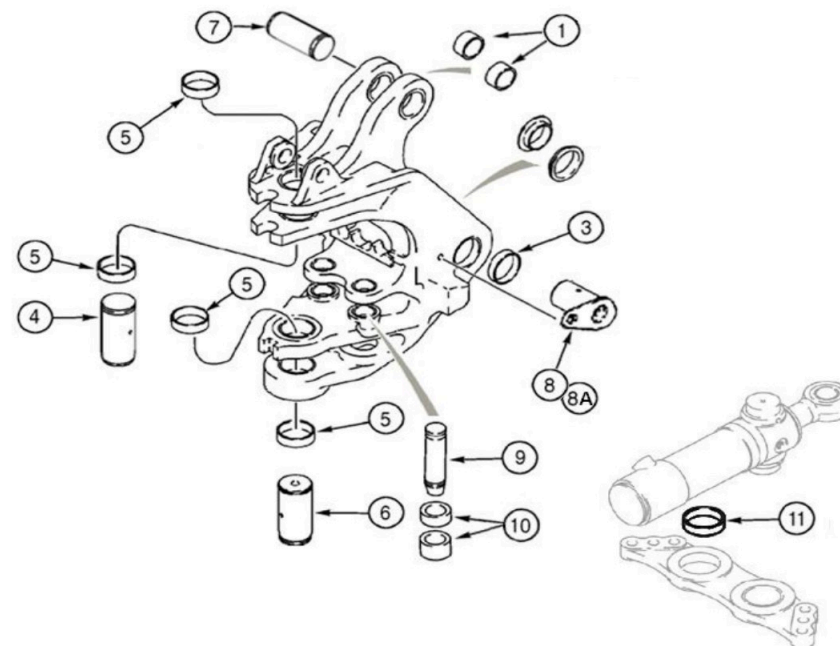
Ref. Part No.	Description	Notes	Qty.	Wt.
<b>CASE 580L, 580SL, 580M, 580SM</b>				
1	D149079	bushing boom cylinder pivot	580L, 580M	2 0.4
1	191017A1	bushing boom cylinder pivot	580SL, 580SM	2 1.7
2	121778A1	bushing inner boom pivot		2 1.2
3	D135741	bushing outer boom pivot		2 1
4	292385A1	pin swing tower to frame, upper		1 8.4
5	D135557	bushing upper swing tower pivot, top		1 1
6	D135559	bushing upper swing tower pivot, lower		1 0.8
7	D151065	pin swing tower to frame, lower		1 9.7
8	D151073	bushing lower swing tower pivot, top		1 1
9	D151074	bushing lower swing tower pivot, lower		1 0.8
10	142842A1	pin boom cylinder to swing tower	580L, 580M	1 5.6
10	190313A1	pin boom cylinder to swing tower	580SL, 580SM	1 7.8
11	121779A1	pin boom to swing tower		2 7.7
12	250663A1	pin boom to swing tower, used with 303646A1		2 7.2
13	303646A1	bracket pin retainer, boom to swing tower		2 0.5
14	386092A2	pin swing cylinder rod end to swing tower		2 6.8
15	135249A1	bushing swing cylinder pivot, upper		2 0.6
16	135248A1	bushing swing cylinder pivot, lower		2 0.8
17	114318A1	bushing swing cylinder pivot		2 0.4

H11

2026 Parts Catalog

SWING TOWER

CASE



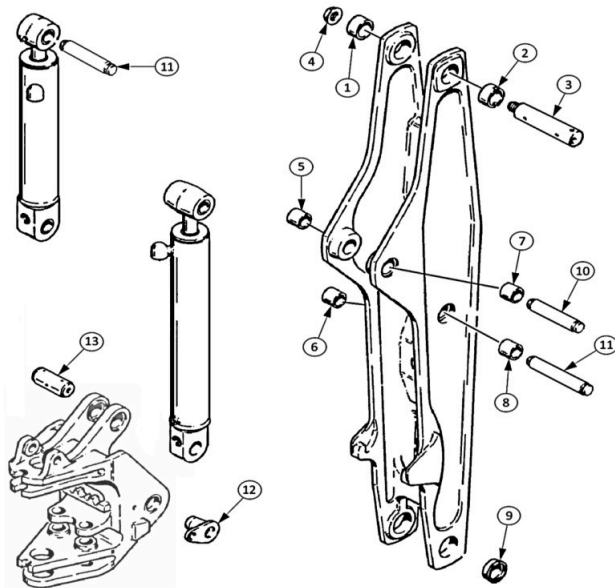
Ref. Part No.	Description	Notes	Qty.	Wt.
<b>CASE 590SL, 590SL Series 2, 590SM</b>				
3	D144170	Bushing outer boom pivot		2 0.4
4	139262A1	Pin swing tower to frame, upper		1 10
5	D151060	Bushing swing tower pivot		4 1
6	175597A1	Pin swing tower to frame, lower		1 12
7	175315A1	Pin boom cylinder to swing tower		1 14
8	175596A1	Pin swing tower to boom	590SL, 590SM	2 8.6
8A	129327A1	Pin swing tower to boom	590, 590SL Series 2	2 8.6
9	386092A2	Pin swing cylinder to swing tower		2 6.75
10	135249A1	Bushing swing cylinder pivot		4 0.6
11	114318A1	Bushing swing cylinder pivot		2 0.4

H12

2026 Parts Catalog

**BOOM**

**CASE**



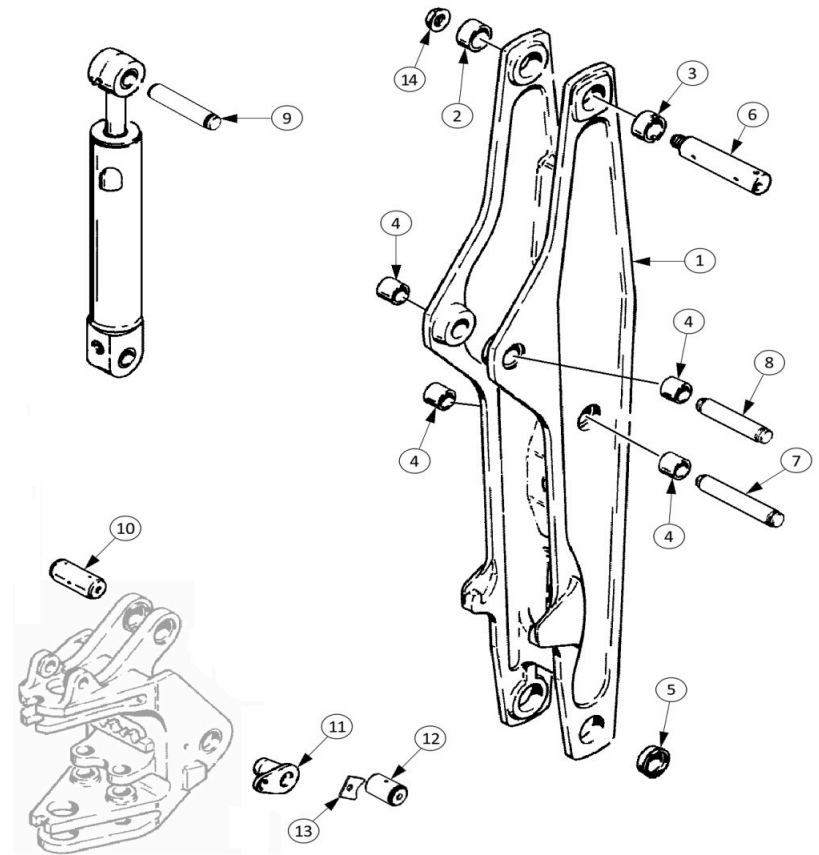
Ref. Part No.	Description	Notes	Qty.	Wt.
<b>CASE 580K, 580SK</b>				
1	D137218	Bushing	1	2
2	D135739	Bushing	1	1
3	D132494	Pin	1	20
4	181042A1	Nut	1	0.5
5,6	D137217	Bushing 580K	2	1
7,8	D136565	Bushing 580K	2	1
5,7	D145080	Bushing 580SK	2	1
		70mm OD		
6,8	D137217	Bushing 580SK	2	1
		70mm OD		
6,8	D138047	Bushing 580SK	2	1
		60mm OD		
9	D136569	Bushing 580K, 580SK	2	1
		w/ groove		
9	D151071	Bushing 580SK	2	1.4
		w/out groove		
10	D138023	Pin	1	9.6
11	D132492	Pin 580K	2	5.6
		w/ bolt hole		
11	D138022	Pin 580K, 580SK	2	7.8
		w/ snap ring grooves		
12	D140093	Pin 580K	2	8
12	105752A1	Pin 580SK	2	8
13	D140096	Pin 580K	1	11
		w/ bolt hole		
13	D144420	Pin 580K	1	10
		w/ snap ring grooves		
13	D151068	Pin 580SK	1	10

**H13**

2026 Parts Catalog

**BACKHOE BOOM**

**CASE**



**H14**

2026 Parts Catalog

**BACKHOE BOOM**

**CASE**

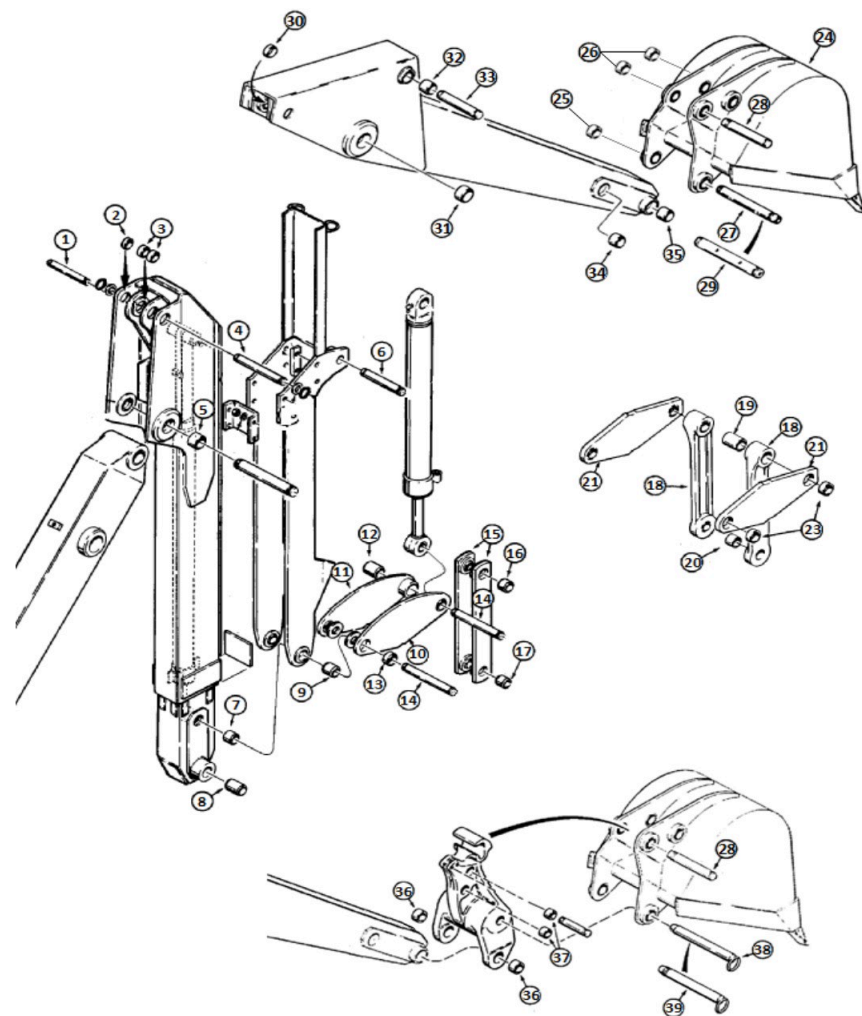
Ref. Part No.	Description	Notes	Qty.	Wt.	
<b>CASE 580L, 580L Series 2, 580M</b>					
1	129883A1	Boom	1	771	
2	D137218	bushing, L/H	boom to dipper	1	2
3	D135739	bushing, R/H	boom to dipper	1	1
5	D151071	bushing	boom to swing tower	2	1.4
6	D132494	Pin	boom to dipper	1	20
7	129040A1	Pin	dipper cylinder to boom	1	5.3
8	129040A1	Pin	boom cylinder to boom	1	5.3
9	129041A1	Pin	dipper cylinder rod end to dipper	1	7.3
10	142842A1	Pin	boom cylinder to swing tower	1	5.6
11	121779A1	Pin	boom to swing tower	2	7.7
12	250663A1	Pin	boom to swing tower, used with 303646A1	2	7.2
13	303646A1	Bracket	pin retainer, boom to swing tower	2	0.5
14	181042A1	Nut	boom to dipper pin	1	0.5
<b>CASE 580SL, 580SL Series 2, 580SM</b>					
1	122284A2	Boom	1	990	
2	D137218	bushing, L/H	boom to dipper	1	2
3	D135739	bushing, R/H	boom to dipper	1	1
5	D151071	bushing	boom to swing tower	2	1.4
6	D132494	Pin	boom to dipper	1	20
7	123167A2	Pin	dipper cyl. to boom, with center grease groove	1	12
8	123168A2	Pin	boom cylinder to boom	1	14
9	D138022	Pin	dipper cylinder rod end to dipper	1	7.8
10	190313A1	Pin	boom cylinder to swing tower	1	7.8
11	121779A1	Pin	boom to swing tower	2	7.7
12	250663A1	Pin	boom to swing tower, used with 303646A1	2	7.2
13	303646A1	Bracket	pin retainer, boom to swing tower	2	0.5
14	181042A1	Nut	boom to dipper pin	1	0.5
<b>CASE 590</b>					
1	D150756	Boom	use 140505A1		
<b>CASE 590SL, 590SL Series 2, 590SM</b>					
1	140505A1	Boom	1	1210	
2	D144168	bushing, L/H	boom to dipper	1	1
3	D144197	bushing, R/H	boom to dipper, slotted	1	1
4	D144161	bushing	boom at dipper and boom cylinder	4	1
5	D151059	bushing	boom to swing tower	2	1
6	175313A1	Pin	boom to dipper	1	28
7	175581A1	Pin	dipper cylinder to boom	1	15
8	175581A1	Pin	boom cylinder to boom	1	15
9	175581A1	Pin	dipper cylinder rod end to dipper	1	15
10	175315A1	Pin	boom cylinder to swing tower	1	14
11	175596A1	Pin	boom to swing tower	2	8.6
11	129327A1	Pin	boom to swing tower	2	8.6
14	181042A1	Nut	boom to dipper pin	1	0.5

H15

2026 Parts Catalog

**BACKHOE PARTS**

**CASE**



H16

2026 Parts Catalog

**BACKHOE PARTS**

**CASE**

Ref.	Part No.	Description	Notes	Qty.	Wt.
<b>CASE 580B, 580C, 580D, 580E</b>					
1	D44882	Pin	Extension cylinder to housing	1	4
2	D34340	Bushing	At dipper cylinder	1	0.3
3	D46405	Bushing	Dipper cylinder	2	0.2
4	D37611	Pin	Dipper cylinder to housing	1	7.4
5	D30756	Bushing	Dipper housing at boom	2	0.6
6	D38907	Pin	Bucket cylinder to dipper ext.	580E	1 3.6
7	D37443	Bushing	Dipper arm at bucket link	2	0.8
8	D50146	Bushing	Dipper arm at bucket	2	0.7
9	D52521	Bushing	Bucket link pin	580B, 580C, 580D	2 0.5
9	D43940	Bushing	Bucket link pin	580E	2 0.5
10	D61087	Link	R/H	580B, 580C, 580D	1 26
11	D61088	Link	L/H	580B, 580C, 580D	1 26
12	D42788	bushing	Link at bucket cylinder	580B, 580C, 580D	2 0.7
13	D46405	bushing	Link at dipper arm	580B, 580C, 580D	2 0.2
14	D53818	Pin	Dipper to bucket links	580B, 580C, 580D	2 7.4
15	D61244	Link	Bucket cylinder to bucket	580B, 580C, 580D	2 28
16	D37495	bushing	Link at cylinder	580B, 580C, 580D	2 0.6
17	D30933	bushing	Link at bucket	580B, 580C, 580D	2 0.4
18	D126492	Link	Bucket cylinder to bucket	580D, 580E	2 30
19	D121845	bushing	Link at cylinder	580D, 580E	2 1.2
20	D30933	bushing	Link at dipper arm	580D, 580E	2 0.4
21	D89620	Link		580D, 580E	2 25
23	D46405	bushing		580D, 580E	4 0.2
24	PV441	Bucket	See page L1 for all backhoe buckets	1	351
25	D37495	bushing	Bucket at dipper	2	0.6
26	D30933	bushing	Bucket at links	6	0.4
27	D64799	Pin	Bucket to dipper	1	9.5
28	D37614	Pin	Bucket to link	1	4.6
29	D55584	Pin	Dipper to bucket, 12" buckets only	1	8.3
30	D52434	Bushing	Dipper at dipper cylinder	580B, 580C	2 0.5
30	D43940	Bushing	Dipper at dipper cylinder	580D, 580E	2 0.5
31	D31142	Bushing	Dipper at boom	2	0.8
32	D34340	Bushing	Dipper at bucket cylinder	580C, 580D, 580E	2 0.3
33	D52522	Pin	Bucket cylinder to dipper	1	5.7
34	D50146	Bushing	Dipper at bucket links	2	0.7
35	D55626	Bushing	Dipper at bucket	2	0.7
36	D37495	Bushing	Bucket pivot	580E	2 0.6
37	D31140	Bushing	Link pivot	580E	4 0.3
38	D150619	Pin	Bucket to coupler	580E	1 10
39	D135690	Pin	Bucket to coupler, 12" buckets only	580E	1 9.3

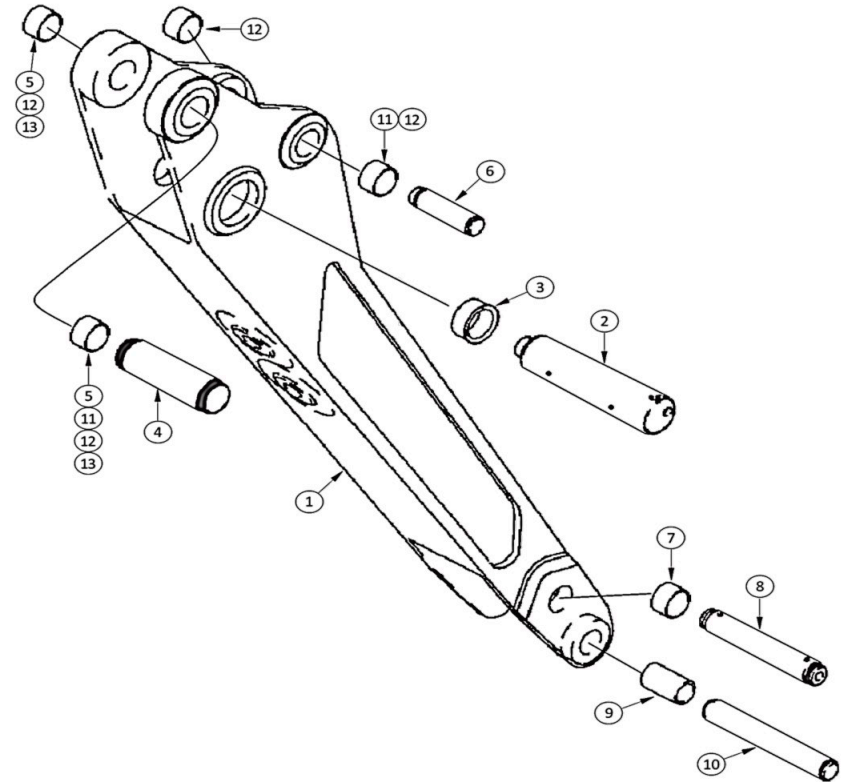
<b>CASE 480D, 480E Bucket Linkage Parts</b>					
	D99731	Bucket Link		2	19
	D30933	Bushing		4	0.4
	D84167	Link L/H		1	16
	D84166	Link R/H		1	16
	D32789	Bushing		2	1
	D32919	Bushing		2	0.2

H17

2026 Parts Catalog

**DIPPER ARM**

**CASE**



H18

2026 Parts Catalog

**DIPPER ARM**

**CASE**

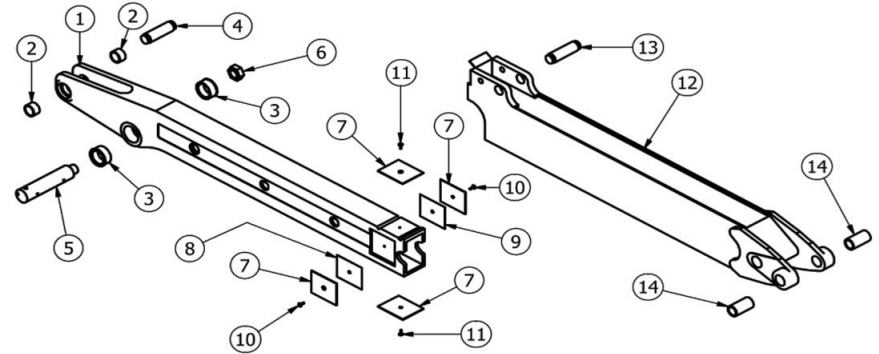
Ref. Part No.	Description	Notes	Qty.	Wt.
<b>CASE 580K, 580SK</b>				
1	101631A1	Dipper Arm		
		580SK, NLA - Order 403353A1, Also Order D138022 & 103-16175 if needed		
3	D135740	bushing	2	1.4
3	D150121	bushing	2	1.4
11	D136565	bushing	1	1
12	D137217	bushing	1	1
13	D138047	bushing	1	1
7	D136573	bushing	2	1
		70mm OD, Length 1.575"		
7	D141249	bushing	2	0.6
		70mm OD, Length 1"		
7	D140029	bushing	2	1
		60mm OD, Length 1"		
2	D132494	Pin	1	20
		boom to dipper		
4	D132492	Pin	1	5.6
		dipper cylinder rod end to dipper, w/ bolt hole		
4	D138022	Pin	1	7.8
		dipper cylinder rod end to dipper, w/ snap ring		
6	D132492	Pin	1	5.6
		dipper cylinder rod end to dipper, w/ bolt hole		
6	D138022	Pin	1	7.8
		dipper cylinder rod end to dipper, w/ snap ring		
10	D140655	Pin	1	9.3
		with ear & one bolt hole		
10	D135690	Pin	1	9.3
		for 12" bucket		
<b>CASE 580L, 580L Series 2, 580M</b>				
1	129884A2	Dipper Arm	1	740
3	D150121	bushing	2	20
		dipper at boom pivot		
5	D145978	bushing	2	1.4
		dipper at dipper cylinder		
7	D140029	bushing	2	7.3
		dipper at linkage		
2	D132494	Pin	1	0.45
		boom to dipper		
4	129041A1	Pin	1	7.3
		dipper cylinder rod end to dipper		
6	129041A1	Pin	1	1
		bucket cylinder to dipper		
<b>CASE 580SL, 580SL Series 2, 580SM</b>				
1	403353A1	Dipper Arm	1	593
		For models w/out hydraulic coupler		
3	D150121	bushing	2	1.4
		dipper at boom pivot		
5	D138047	bushing	2	1
		dipper at dipper cylinder		
7	D140029	bushing	2	1
		dipper at linkage		
2	D132494	Pin	1	20
		boom to dipper		
4	D138022	Pin	1	7.8
		dipper cylinder rod end to dipper		
6	D138022	Pin	1	7.8
		bucket cylinder to dipper		
<b>CASE 590SL, 590SL Series 2, 590SM</b>				
2	175313A1	Pin	1	28
		boom to dipper		
3	D151059	Bushing	2	1
		dipper at boom pivot		
4	175581A1	Pin	1	15
		dipper cylinder rod end to dipper		
5	D144161	Bushing	2	1
		dipper at dipper cylinder		
7	D140029	Bushing	2	1
		dipper at linkage		
<b>FITS ALL MODELS ON THIS PAGE</b>				
8	D141142	Pin	2	9.9
		link to dipper		
9	307186A1	Bushing	2	1.7
		dipper at bucket		
10	D150619	Pin	1	10
		dipper to bucket		

H19

2026 Parts Catalog

**EXTENDABLE DIPPER ARM**

**CASE**



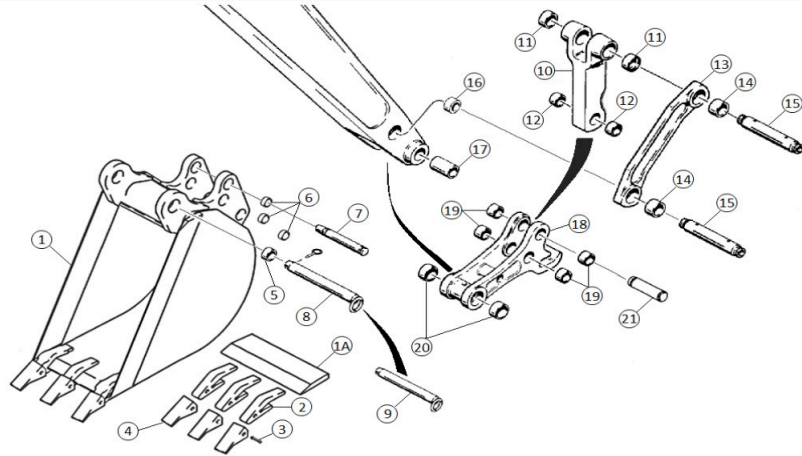
Ref. Part No.	Description	Notes	Qty.	Wt.
<b>CASE 580L, 580M</b>				
1	122503A1	Inner Dipper Arm	1	510
2	D145978	Bushing	2	0.5
4	129041A1	Pin	1	7.3
12	87619781	Outer Dipper Arm	1	342
<b>CASE 580SL, 580SM</b>				
1	D149018	Inner Dipper Arm		
		580SL - No Longer Available, Order 244536A1 & Items 7-11		
1	140453A1	Inner Dipper Arm	1	473
		580SL Ser. 2		
1	244536A1	Inner Dipper Arm	1	473
		All 580SM's		
2	D149079	Bushing	2	0.4
4	D141666	Pin	1	6.4
12	102649A1	Outer Dipper Arm	1	342
		580SL		
12	362951A1	Outer Dipper Arm	1	342
		580SL Ser. 2		
12	362951A3	Outer Dipper Arm	1	342
		580SM		
12	87600242	Outer Dipper Arm	1	342
		580SM Ser. 2, 580SM Ser. 3		
<b>CASE 580L, 580M, 580SL, 580SM</b>				
3	D150121	Bushing	2	1.4
5	D132494	Pin	1	20
6	181042A1	Nut	1	0.5
7	451384A1	Wear Plate	4	0.8
8	132844A1	Shim	AR	0.1
9	132842A1	Shim	AR	0.2
10	183509A1	Pin	2	0.01
11	183443A1	Pin	2	0.01
13	D141666	Pin	1	6.4
14	307186A1	Bushing	2	1.7

H20

2026 Parts Catalog

BACKHOE PARTS

CASE



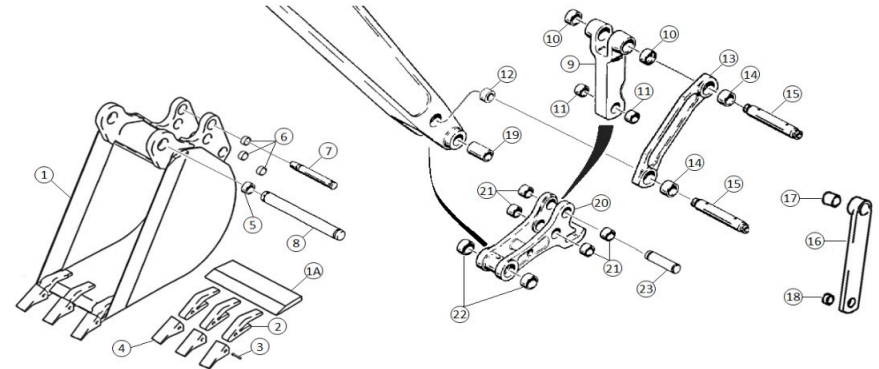
Ref. Part No.	Description	Notes	Qty.	Wt.
<b>CASE 580K, 580SK</b>				
1	PV441	Bucket, 18"	1	351
1A		cutting edge	AR	
2	230010	adapter	AR	3.4
3	23P	pin	AR	0.1
4	230	tooth	AR	3.5
5	D37495	bushing	2	0.6
6	D30933	bushing	6	0.4
7	D37614	Pin	1	4.6
8	D140655	Pin	1	9.3
9	D135690	Pin	1	9.3
10	D150080	Y-Link	1	62
11	D138047	bushing	2	1
12	107124A1	bushing	2	0.5
16	D141249	Bushing	2	0.6
		<i>D145902 &amp; D150784 dipper</i>		<i>70mm OD</i>
16	D140029	Bushing	2	1
		<i>101631A1 dipper</i>		<i>60mm OD</i>
13	D150608	Link	2	27
14	D150122	bushing	4	0.4
15	D141142	Pin	2	9.9
		<i>Link to dipper arm &amp; Link to cylinder</i>		
17	307186A1	Bushing	2	1.7
		<i>Dipper to quick coupler</i>		
18	134437A1	Quick coupler	1	58
19	107124A1	bushing	4	0.5
20	D127167	bushing	2	1
21	D140653	Pin	1	4
		<i>Link to coupler</i>		<i>580K</i>
21	D146288	Pin	1	4.2
		<i>Link to coupler</i>		<i>580SK</i>

H21

2026 Parts Catalog

BACKHOE PARTS

CASE



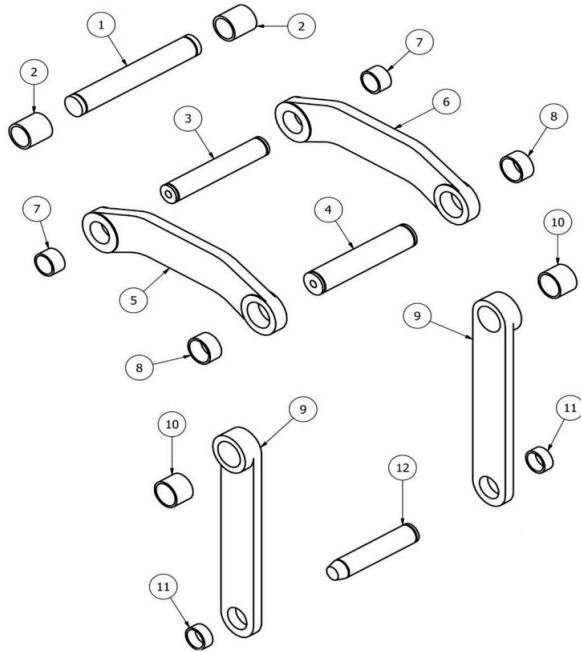
Ref. Part No.	Description	Notes	Qty.	Wt.
<b>CASE 580L, 580SL, 580M, 580SM, 590SL, 590SM</b>				
1	PV441	Bucket, 18"	1	351
1A		cutting edge	AR	
2	230010	adapter	AR	3.4
3	23P	pin	AR	0.1
4	230	tooth	AR	3.5
5	D37495	bushing	2	0.6
6	D30933	bushing	6	0.4
7	D37614	Pin	1	4.6
		<i>Bucket to coupler</i>		
8	D150619	Pin	1	10
		<i>Dipper to bucket, all buckets except 12"</i>		
9	242561A1	Y-Link		62
		<i>580L, 580SL, 590SL</i>		
9	400398A1	Y-Link	1	62
		<i>580M, 580SM, 590SM</i>		
10	D138047	bushing	2	1
11	107124A1	bushing	2	0.5
12	D140029	Bushing	2	1
13	348706A1	Link	2	27
14	D149079	bushing	4	0.4
13	242562A1	Link	2	27
14	D150122	bushing	4	1
15	D141142	Pin	2	9.9
		<i>Link to dipper arm &amp; Link to cylinder</i>		
16	244790A1	Link	2	27
17	D138047	bushing	4	1
18	D31140	bushing	4	0.3
19	307186A1	Bushing	2	1.7
		<i>Dipper to quick coupler</i>		
20	294195A1	Quick coupler	1	58
21	107124A1	bushing	4	0.5
22	D127167	bushing	2	1
23	D146288	Pin	1	4.2
		<i>Link to coupler</i>		
84305923	Bucket Pin Kit	<i>M Series Bucket Retrofit Kit for 580N, 580SN, 580SN WT, &amp; 590SN With Mechanical Couplers or Straight Links</i>	1	20

H22

2026 Parts Catalog

LINKAGE PARTS

CASE



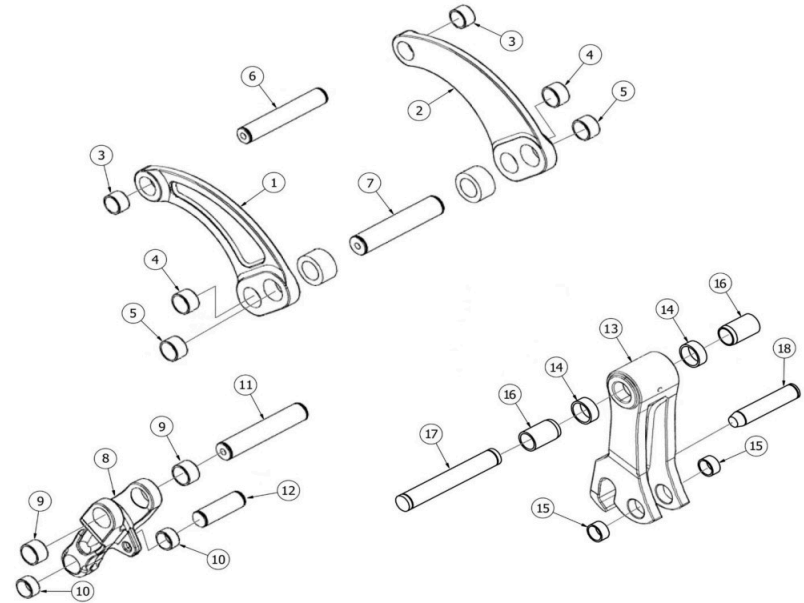
Ref. Part No.	Description	Notes	Qty.	Wt.
<b>CASE 580N, 580SN</b>				
1	84223654	Pin	<i>Bucket to Dipper</i>	1 15
2	84247142	Bushing	<i>Not Available</i>	2
3	84171343	Pin	<i>Backhoe Link</i>	1 9.8
4	84171217	Pin	<i>Backhoe Link</i>	1 14
5	84230684	Link	<i>Not Available</i>	1
6	84230685	Link	<i>Not Available</i>	1
7	84170645	Bushing		2 0.4
8	84230813	Bushing		2 0.6
9	84230693	Link	<i>Not Available</i>	2
10	84231081	Bushing		2 0.8
11	84231079	Bushing		2 0.3
12	84223653	Pin	<i>Link to Bucket</i>	1 8

H23

2026 Parts Catalog

LINKAGE PARTS

CASE



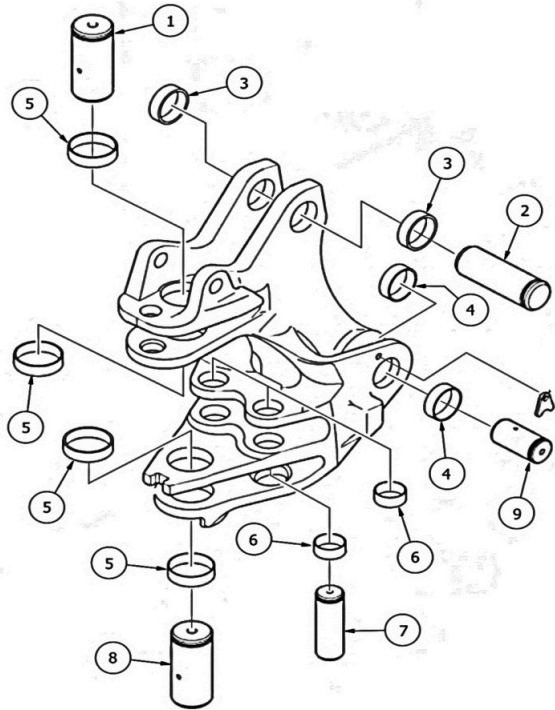
Ref. Part No.	Description	Notes	Qty.	Wt.
<b>CASE 580N, 580SN</b>				
1	84229982	Link	<i>Not Available</i>	1
2	84229983	Link	<i>Not Available</i>	1
3	84170645	Bushing		2 0.4
4	84229922	Bushing		2 1
5	84170654	Bushing		2 1.7
6	84171343	Pin		1 9.8
7	84171217	Pin		1 14
8	84530015	Y-Link	<i>Not Available</i>	1
9	84229922	Bushing		2 1
10	84227018	Bushing		2 0.5
11	84231908	Pin		1 12
12	84223652	Pin		1 5
13	84229979	Quick Coupler, standard dipper	<i>Not Available</i>	1
14	84227023	Bushing		2 0.6
15	84227018	Bushing		2 0.5
16	84224880	Bushing		2 2
17	84223654	Pin		1 15
18	84223653	Pin		1 8

H24

2026 Parts Catalog

SWING TOWER

CASE



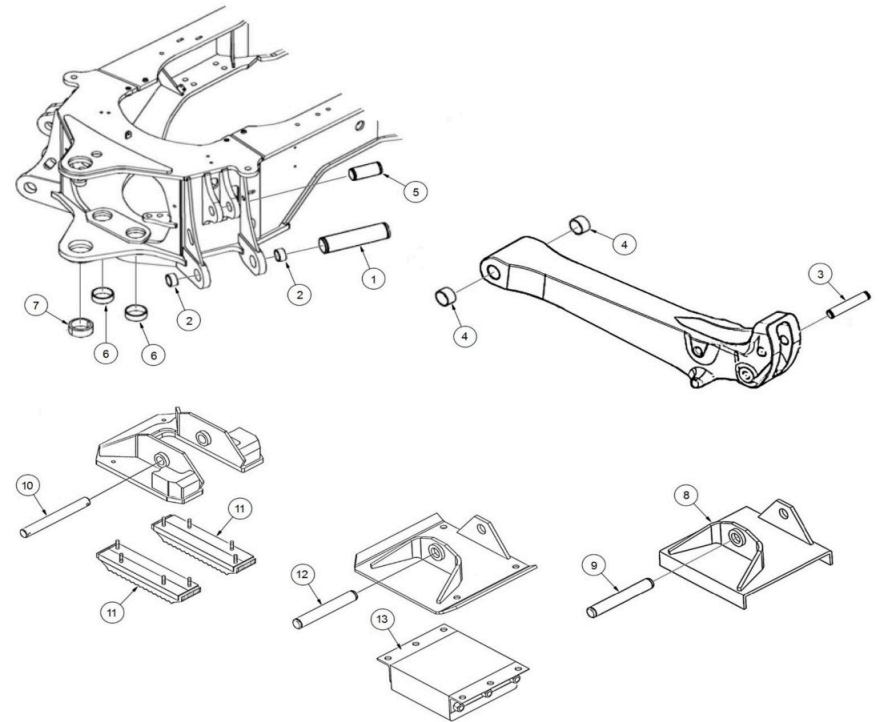
Ref. Part No.	Description	Notes	Qty.	Wt.
<b>CASE 580N, 580SN</b>				
1	84249275	Pin	1	15
2	84217317	Pin	1	9.2
3	84230813	Bushing	2	0.6
4	84326988	Bushing	4	0.8
5	84235607	Bushing	4	1
6	135249A1	Bushing	4	0.6
7	84261887	Pin	2	4.8
8	84249274	Pin	1	13
9	84248744	Pin	2	5.4

H25

2026 Parts Catalog

STABILIZER PARTS

CASE



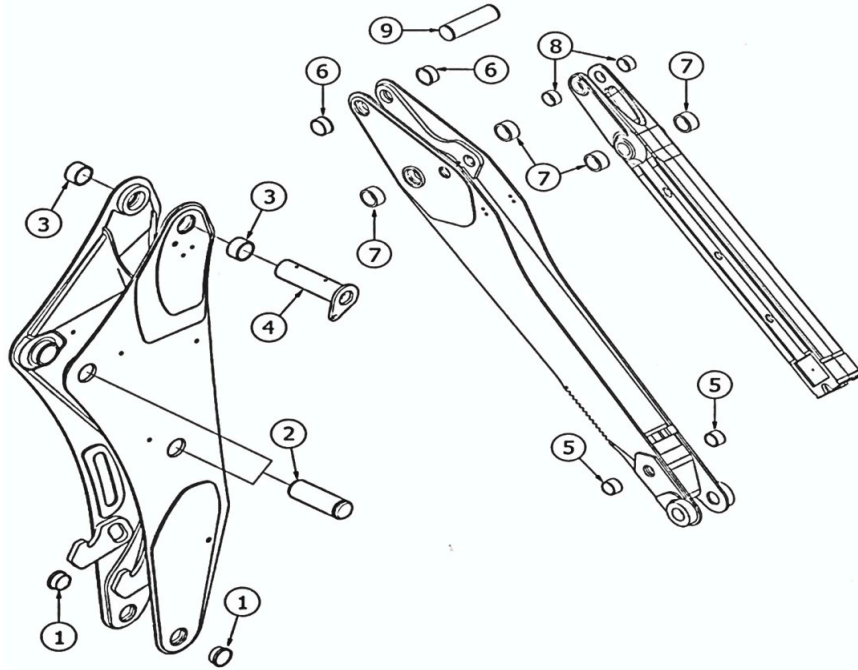
Ref. Part No.	Description	Notes	Qty.	Wt.
<b>CASE 580N, 580SN</b>				
1	84243665	Pin	2	12
2	84326305	Bushing	4	0.6
3	84243668	Pin	2	5.2
4	84229922	Bushing	4	1
5	84243667	Pin	2	6.2
6	114318A1	Bushing	2	0.4
7	84226810	Bushing	1	1.8
8	87456199	Stabilizer Pad	2	55
9	D28648	Pin	2	5.1
10	D149033	Pin	2	5.9
11	47432044	Rubber Pad	4	15
12	D53812	Pin	2	5.1
13	D61368	Rubber Pad	2	37

H26

2026 Parts Catalog

**BOOM & DIPPER**

**CASE**



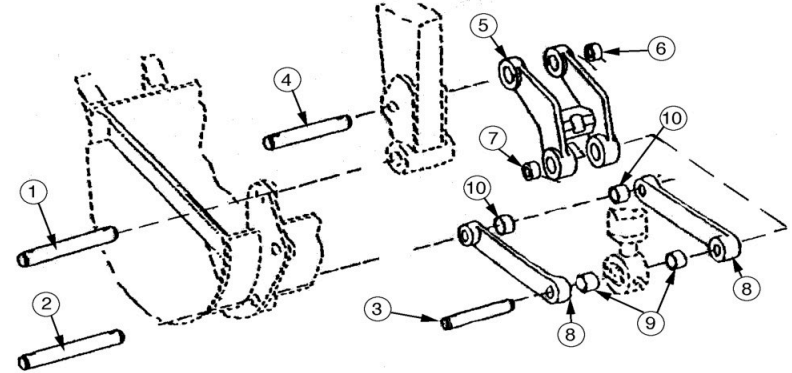
Ref. Part No.	Description	Notes	Qty.	Wt.
<b>CASE 580N, 580SN</b>				
1	84246051	Bushing	2	1.6
2	84248656	Pin	2	15
2	84230833	Pin	2	20
3	84240578	Bushing	2	2.2
4	84520512	Pin	1	26
5	84170645	Bushing	2	0.4
6	84223633	Bushing	2	0.8
7	D137218	Bushing	2	2
8	84229925	Bushing	2	0.6
9	84217317	Pin	1	9.2

**H27**

2026 Parts Catalog

**BACKHOE PARTS**

**CAT**



Ref. Part No.	Description	Notes	Qty.	Wt.
<b>CAT 416, 416B, 416C</b>				
1	9R6162	Pin	1	14
2	9R6161	Pin	1	10
3	9R7696	Pin	1	8.4
4	9R7696	Pin	1	8.4
5	9R7699	H-Link	1	47
6	9R0153	Bushing	2	0.4
7	9R0153	Bushing	2	0.4
8	9R8724	Link	2	17
9	9R0147	Bushing	1	0.7
10	9R0147	Bushing	1	0.7
<b>CAT 416D, 420D, 430D</b>				
1	154-5280	Pin	1	14
2	154-5279	Pin	1	10
3	154-5277	Pin	1	8.5
4	154-5278	Pin	1	11
5	154-5265	H-Link	1	56
6	9R3092	Bushing	2	0.8
7	9R0147	Bushing	2	0.7
8	145-8337	Link R/H	1	40
8	145-8344	Link L/H	1	40
9	9R0162	Bushing	1	0.9
10	9R0411	Bushing	1	0.7

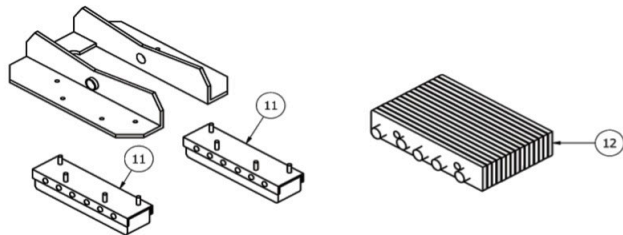
**H28**

2026 Parts Catalog

**BACKHOE PARTS**

**CAT**

Ref. Part No.	Description	Notes	Qty.	Wt.
<b>CAT 416B, 416C, 416D, 420D, 430D</b>				
9R0424	Pin	Stabilizer Pad, standard	2	8.4
9R0422	Pin	Stabilizer Cylinder Rod, no cover	2	4.7
9R0423	Pin	Stabilizer Cylinder Tube	2	4
9R0424	Pin	Stabilizer Leg to Machine	2	8.4
9R0411	Bushing	Stabilizer Leg to Frame	4	0.7
9R0431	Bushing	Frame to Stabilizer Leg	4	.6
116-4365	Stabilizer Cylinder R/H	416, 416B, 416C, 426, 426B	1	98
116-4366	Stabilizer Cylinder L/H	416, 416B, 416C, 426, 426B	1	98
180-7485	Stabilizer Cylinder R/H	416D, 420D, 430D	1	97
180-7484	Stabilizer Cylinder L/H	416D, 420D, 430D	1	97
237-5330	Pin	Swing Tower to Boom 416D, 420D	2	5.9
237-2252	Bushing	On Boom at Swing Tower	2	.6
237-0944	Bushing	Bottom Swing Tower, outside	2	1
237-0945	Bushing	Bottom Swing Tower, inside	2	.6
236-8182	Pin	Swing Cylinder Rod 416D, 420D	2	7
101-4020	Pin	Boom Cylinder Rod to Swing Tower 416D, 420D	1	9.2
9R0139	Bushing	Boom Cylinder Rod & Tube	4	1
9R9812	Pin	Boom Cylinder Tube to Boom 416D, 420D	1	9.6
9R0139	Bushing	Dipper Cylinder Rod & Tube	4	1
9R9812	Pin	Dipper Cylinder Tube to Boom	1	9.6
184-9956	Pin	Dipper Cylinder Rod to Dipper w/ Extend-a-hoe	1	10
159-0961	Pin	Boom to Dipper	1	15
9R0170	Bushing	On Boom to Dipper	2	1
9R6163	Pin	Bucket Cylinder Tube w/ Extend-a-hoe	2	2.6
9T5219	Boom Cylinder	416	1	110
6E0274	Boom Cylinder	416B, 416C, 416D	1	185
152-9148	Boom Cylinder	420D	1	192
109-7020	Dipper Cylinder	416B, 416C, 416D, 420D	1	156
6E0275	Bucket Cylinder	416B, 416C (standard dipper arm)	1	135
6E1964	Bucket Cylinder	416B, 416C (extendable dipper arm)	1	135



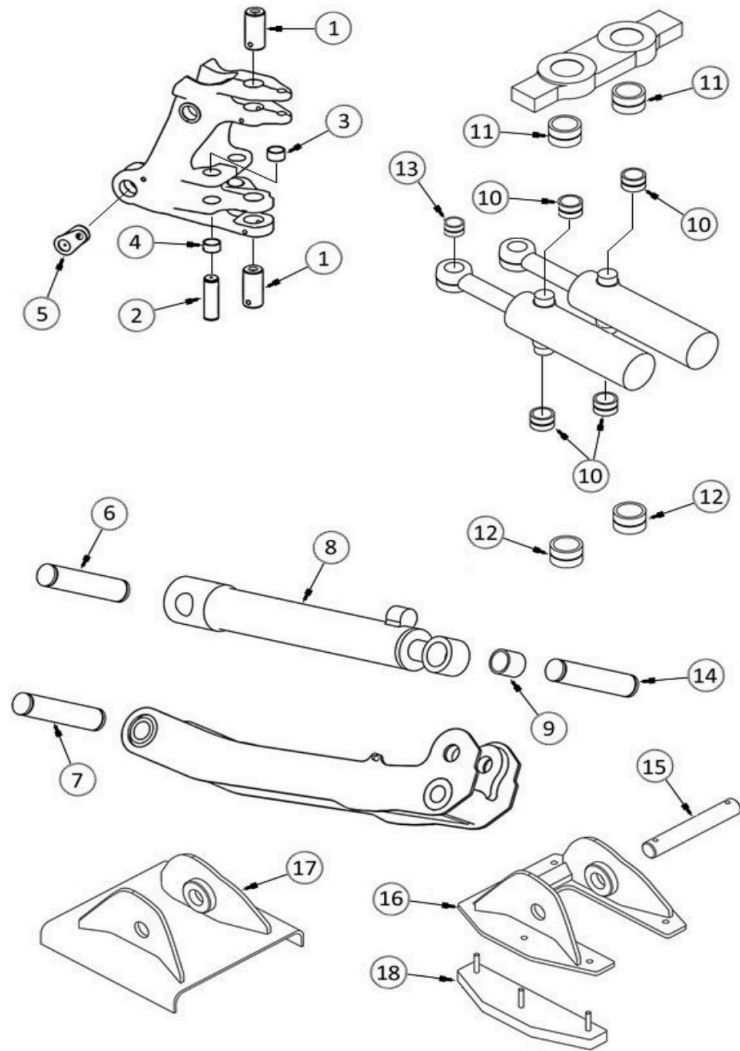
<b>CAT 416D, 420D, 430D</b>					
11	9R-5555	Rubber Pad	Flip-Over Pad	4	16
<b>CAT 416D, 416E, 416F, 420D, 420E, 420F, 430D, 430E, 430F</b>					
12	237-9356	Rubber Pad	Double-Duty Pad	2	33

H29

2026 Parts Catalog

**STABILIZER & SWING TOWER**

**JOHN DEERE**



H30

2026 Parts Catalog

**STABILIZER & SWING TOWER**

**JOHN DEERE**

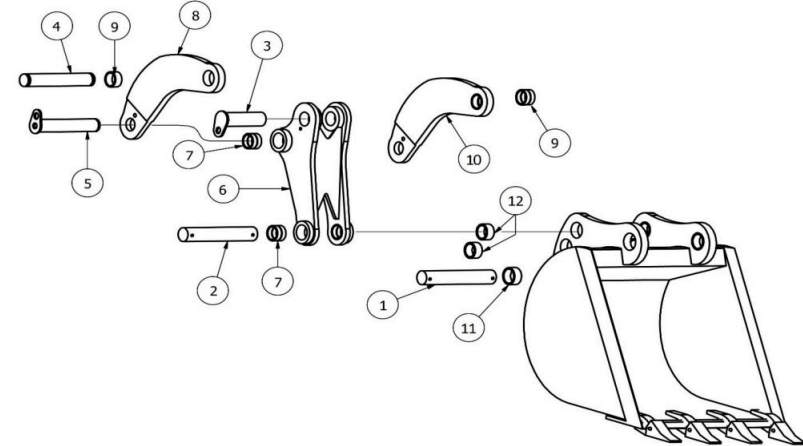
Ref. Part No.	Description	Notes	Qty.	Wt.
<b>JOHN DEERE 310E, 310G, 310J, 310K</b>				
1	T159118	Pin	2	8.8
2	T200240	Pin	2	7
		310G s/n 911129-, 310J, 310K		
5	AT306500	Pin	2	8
6	T161027	Pin	2	10
7	T201909	Pin	2	10
8		Stabilizer Cylinder		
		Refer to Section B		
9	H154404	bushing	2	0.6
<b>JOHN DEERE 310SE, 310SG, 310SJ, 310SK</b>				
1	T212948	Pin	2	12
2	T200240	Pin	2	7
		310SE, 310SG s/n -928871 (bolt hole)		
2	T201971	Pin	2	7.4
		310SE, 310SG s/n 928872-, 310SJ, 310SK (snap ring groove)		
3	T201361	Bushing	2	0.6
4	T201362	Bushing	2	0.6
5	AT306499	Pin	2	10
6	T201909	Pin	2	10
7	T201909	Pin	2	10
8		Stabilizer Cylinder		
		Refer to Section B		
9	H154404	bushing	2	0.6
<b>JOHN DEERE 410E, 410G, 410J, 410K</b>				
1	T212948	Pin	2	12
2	T200240	Pin	2	7
		410E, 410G s/n -926213 (bolt hole)		
2	T201971	Pin	2	7.4
		410E, 410G s/n 926214-, 410J, 410K (snap ring groove)		
3	T201361	Bushing	2	0.6
4	T201362	Bushing	2	0.6
5	AT303272	Pin	2	11
6	T201909	Pin	2	10
7	T201909	Pin	2	10
8		Stabilizer Cylinder		
		Refer to Section B		
9	H154404	bushing	2	0.6
<b>JOHN DEERE 310E, 310SE, 310G, 310SG, 310J, 310SJ, 310K, 310SK, 410E, 410G, 410J, 410K</b>				
10	H151328	Bushing	4	0.6
11	T153303	Bushing	2	1
12	T147070	Bushing	2	0.8
13	H180402	Bushing	2	1.2
14	T127437	Pin	2	6.6
15	T69472	Pin	2	10
16	T166258	Stabilizer Plate	2	63
		Reversible		
17	T126867	Stabilizer Plate	2	65
		Cleat		
18	AT195669	Stabilizer Pad	4	8

**H31**

2026 Parts Catalog

**BACKHOE PARTS**

**JOHN DEERE**



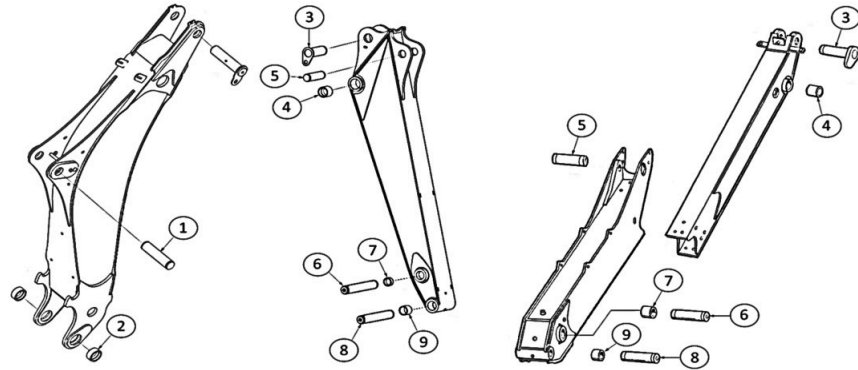
Ref. Part No.	Description	Notes	Qty.	Wt.
<b>JOHN DEERE 310E, 310G, 310J, 310K, 310L, 310 G-Tier, 310 P-Tier</b>				
1	T185830	Pin	1	
		Bucket to dipper arm		
2	T185829	Pin	1	
		Bucket to linkage		
3	AT176537	Pin	1	5
		Cylinder to H-Link		
4	AT176538	Pin	1	7.8
		Dipper to link		
5	AT176536	Pin	1	6.5
		H-Link to link		
6	AT324556	H-Link	1	67
		Cylinder to bucket		
7	T105988	Bushing	4	0.5
8	AT324554	Link	1	39
		H-Link to dipper		
10	AT324555	Link	1	39
		H-Link to dipper		
9	T166714	Bushing	2	0.4
11	T187115	Bushing	2	0.6
		Bucket at dipper		
12	T187114	Bushing	4	0.4
		Bucket at link		
<b>JOHN DEERE 310SE, 310SG, 310SJ, 310SK, 310SL, 315SJ, 315SK, 315SL, 320 P-Tier, 325SL, 410J, 410K, 410L, 410 P-Tier</b>				
1	T185832	Pin	1	13
		Bucket to dipper arm		
2	T185831	Pin	1	11
		Bucket to linkage		
3	AT324237	Pin	1	7.7
		Cylinder to H-Link		
4	AT171079	Pin	1	9.8
		Dipper to link		
5	AT171077	Pin	1	9.6
		H-Link to link		
6	AT470260	H-Link	1	65
		Cylinder to bucket		
7	T154273	Bushing	4	0.5
8	AT324620	Link	1	38
		H-Link to dipper		
10	AT324621	Link	1	38
		H-Link to dipper		
9	T166715	Bushing	2	0.4
11	T187117	Bushing	2	0.4
		Bucket at dipper arm		
12	T187116	Bushing	2	0.4
		Bucket at bucket links		

**H32**

2026 Parts Catalog

**BOOM & DIPPER**

**JOHN DEERE**



Ref.	Part No.	Description	Notes	Qty.	Wt.
	AT184993	Boom	310G	1	635
	AT195463	Dipper Arm, Standard	310E, order AT330781	1	335
	AT330781	Dipper Arm, Standard	310G	1	335
	AT344837	Boom	310SG	1	621
	AT318335	Inner Dipper Arm	310SG s/n 954401-	1	492

JOHN DEERE 310E, 310G, 310J, 310K, 310L, 310 G-Tier, 310 P-Tier					
1	T159089	Pin		1	11
2	T164182	Bushing		2	0.6
3	AT482071	Pin		1	7
4	T162582	Bushing		2	1
6	AT176538	Pin		1	7.8
7	T166714	Bushing		2	0.4
8	T185830	Pin		1	
9	T362600	Bushing		2	0.9

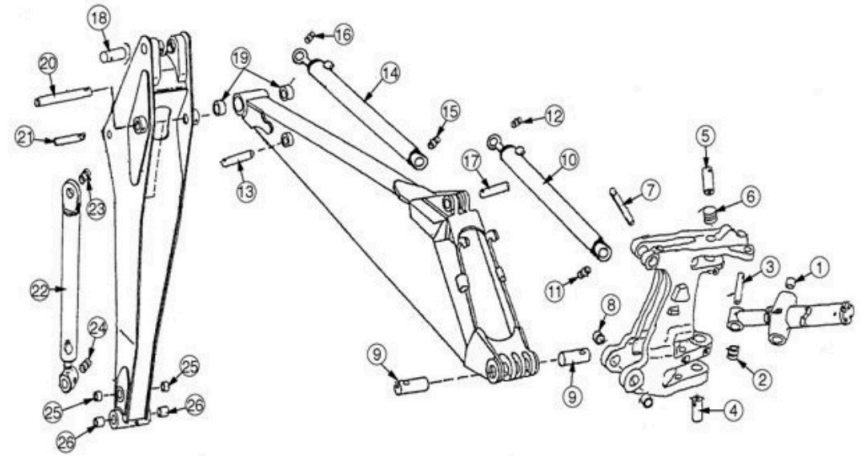
JOHN DEERE 310SE, 310SG, 310SJ, 310SK, 310SL, 320 P-Tier, 410E, 410G, 410J, 410K					
1	T153608	Pin	310SE, 310SG, 310SJ, 310SK	1	15
1	T154922	Pin	410E, 410G, 410J, 410K	1	16
2	T164183	Bushing		2	1.2
3	AT169831	Pin		1	10
4	T295708	Bushing		2	1
5	T153567	Pin		1	7.4
6	AT171079	Pin		1	9.8
7	T166715	Bushing		2	0.4
8	T185832	Pin		1	13
9	T166686	Bushing		2	0.8

**H33**

2026 Parts Catalog

**BACKHOE PARTS**

**JOHN DEERE**



**H34**

2026 Parts Catalog

**BACKHOE PARTS**

**JOHN DEERE**

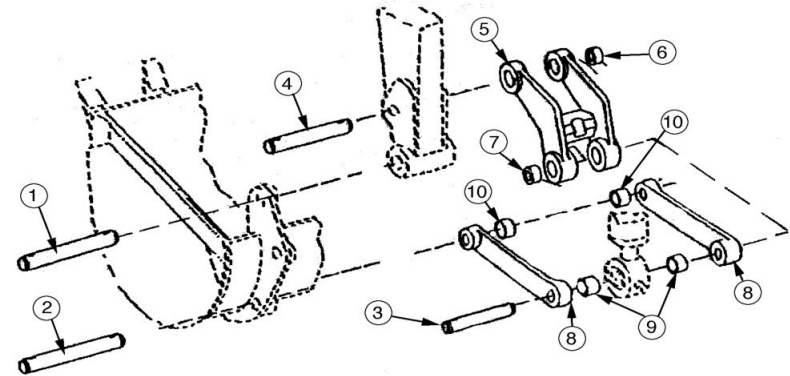
Ref. Part No.	Description	Notes	Qty.	Wt.
<b>JOHN DEERE BACKHOE PINS &amp; BUSHINGS</b>				
1	R81487	Bushing <i>Swing cyl pivot, 410B, 410C, 410D, 510B, 510C, 510D, 610B</i>	2	1
2	R81488	Bushing <i>Standard Size, 40MM, Swing cylinder rod end</i>	2	1
315D, 410B, 410C, 410D to s/n 801199, 415B, 510B, 510C, 510D to s/n 801199, 515B, 610B, 610C				
3	T37598	Pin <i>Swing cylinder rod end, 310, 310A, 310B, 410</i>	2	3.7
3	T100378	Pin <i>Swing cylinder rod end, 310C</i>	2	8.4
3	T69030	Pin <i>Standard Size, 40MM, Swing cylinder rod end</i>	2	3.4
315D, 410B, 410C, 410D to s/n 801199, 415B, 510B, 510C, 510D to s/n 801199, 515B, 610B, 610C				
4	T126916	Pin <i>Swing tower to frame, upper &amp; lower, 310C after s/n 761935</i>	2	9.1
5	T78795	Pin <i>Swing tower to frame, upper &amp; lower</i>	2	9.8
310C to s/n 761934, 410B, 410C, 410D to s/n 801199, 510B, 510C, 510D, 610B, 610C				
6	T126935	Bushing <i>Swing tower, upper &amp; lower, 210C, 310C</i>	2	10
7	U16051	Pin <i>Boom cylinder to swing tower, 310, 310A, 310B,</i>	1	4
7	T125934	Pin <i>Boom cylinder to swing tower, 310C</i>	1	11
8	T126936	Bushing <i>Swing tower to boom, 310 after s/n 236853, 310A, 310B, 310C</i>	2	1
8	T33689	Bushing <i>Swing tower to boom, 410</i>	2	1
9	T125914	Pin <i>Swing tower to boom, 310, 310A, 310B, 310C</i>	2	2.6
9	AT86425	Pin <i>Swing tower to boom 410B, 410C, 510B, 510C, 510D, 610B, 610C</i>	2	5.7
10	Boom Cylinder, refer to Section B			
11	H144296	Bushing <i>Boom cylinder tube end, 310D, 410D after s/n 801200</i>	1	1
12	R97726	Bushing <i>Boom cylinder rod end, 310D, 410D after s/n 801200</i>	1	1
13	T125933	Pin <i>Boom cylinder to boom, 310C</i>	1	6.4
14	Dipper Cylinder, refer to Section B			
15	R97724	Bushing <i>Dipper cylinder tube end, 310D, 410D after s/n 801200</i>	1	1
16	R82077	Bushing <i>Dipper cylinder rod end, 310C, 310D, 410C, 410D</i>	1	1
18	T125936	Pin <i>Dipper cylinder rod end, 310D to s/n 780903, 310C, 410C</i>	1	10
19	T33933	Bushing <i>Boom to Dipper, 310A, 310B, 410, 500C</i>	4	1
19	T162582	Bushing <i>Boom to Dipper</i>	2	1
210C, 300D, 310C, 310D, 410B, 410C, 410D, 410E std boom only, 510B, 510C, 510D, 610B, 610C				
20	T125922	Pin <i>Boom to Dipper 210C, 300D, 310C, 310D,</i>	1	14
410B after s/n 712717, 410C, 410D, 510B after s/n 712623, 510C, 510D, 610B after s/n 713298, 610C				
21	T100188	Pin <i>Bucket cylinder tube end, 310C, 310D, 410C, 410D</i>	1	4.1
22	Bucket Cylinder, refer to Section B			
23	R81850	Bushing <i>Bucket cylinder tube end</i>	1	1
310C, 310D, 410C, 410D, 510C, 510D, 610C				
24	R82077	Bushing <i>Bucket cylinder rod end</i>	1	1
310C, 310D, 410C, 410D, 510C, 510D, 610C				
25	U11121	Bushing <i>Dipper arm at H-Link 410B, 510B, 610B</i>	2	1
25	R72579	Bushing <i>Dipper arm at H-Link</i>	2	0.4
210C, 300D, 310C, 310D, 410C, 410D, 510C, 510D, 610C				
26	T34301	Bushing <i>Dipper arm at bucket</i>	2	0.8
210C, 300D, 310C, 310D, 410B, 410C, 410D, 510B, 510C, 510D, 610B, 610C				
	T125926	Pin <i>Bucket to dipper arm</i>	1	10
210C, 300D, 310A, 310B, 310C, 315D, 410C, 510C, 610C				
	T125931	Pin <i>Bucket to linkage</i>	1	8
210C, 300D, 310A, 310B, 310C, 315D, 410C, 510C, 610C				

**H35**

2026 Parts Catalog

**BACKHOE PARTS**

**JOHN DEERE**



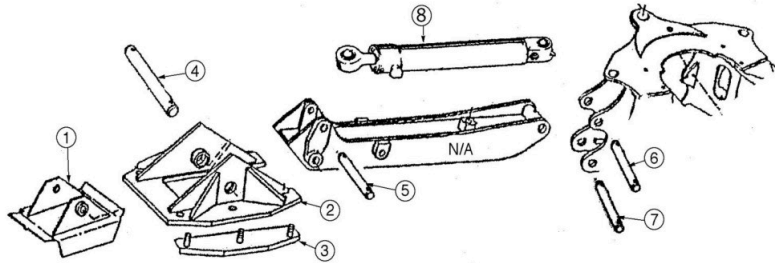
Ref. Part No.	Description	Notes	Qty.	Wt.
<b>JOHN DEERE 310, 310B, 410, 410B</b>				
1	T125926	Pin <i>Bucket to dipper arm</i>	1	10
2	T125931	Pin <i>Bucket to linkage</i>	1	8
3	T34428	Pin <i>Cylinder to Linkage</i>	1	8.2
4	T34425	Pin <i>Dipper to H-Link</i>	1	5
5	T39046	H-Link <i>With bushings, dipper to cylinder</i>	1	45
8	AT80539	Link <i>With bushings, H-Link to bucket</i>	2	18
	T34427	Use AT80539		
<b>JOHN DEERE 300D, 310C, 310D, 315C, 315D, 410C, 410D, 510C, 510D, 610C</b>				
1	T125926	Pin <i>Bucket to dipper arm</i>	1	10
2	T125931	Pin <i>Bucket to linkage</i>	1	8
3	T125939	Pin <i>Cylinder to Linkage, Cotter Pin Style</i>	1	12
4	T125929	Pin <i>Dipper to H-Link</i>	1	6.7
5	AT158567	H-Link	1	78
6	R72579	Bushing	2	0.4
7	T101084	Bushing	2	0.6
8	AT146005	Link <i>H-Link to bucket</i>	2	27
9	T101084	Bushing	2	0.6
10	T101148	Bushing	2	1

**H36**

2026 Parts Catalog

**STABILIZER PARTS**

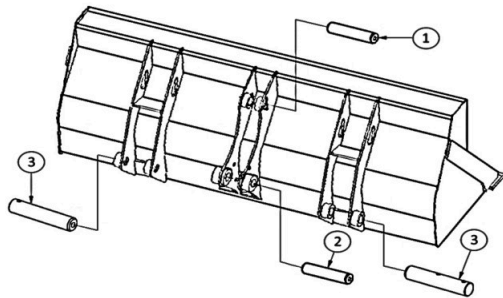
**JOHN DEERE**



Ref. Part No.	Description	Notes	Qty.	Wt.
<b>JOHN DEERE VARIOUS OLDER MODELS, PLEASE CALL</b>				
1	T126867	Stabilizer Plate	2	65
2	T166258	Stabilizer Plate	2	63
3	AT195669	Rubber Pad	4	8
4	T69472	Pin	2	10
5	T127437	Pin	2	6.6
6	T68296	Pin	2	6.8
7	T34485	Pin	2	7.6
8	Stabilizer Cylinder	Refer to Section B		

**LOADER PINS**

**JOHN DEERE**



Ref. Part No.	Description	Notes	Qty.	Wt.
<b>JOHN DEERE 310E, 310SE, 310G, 310SG, 310J, 310SJ, 310K, 310SK, 410E, 410G, 410J, 410K</b>				
1	T165333	Pin	1	9.8
2	T165332	Pin	1	8
3	T204908	Pin (w/ bolt hole)	2	7.6

**H37**

2026 Parts Catalog



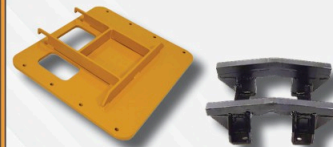
**SECTION I**  
**SUSPENSION, SIDE SHIELDS,**  
**ENGINE COMPARTMENT**  
**DOORS, & MISC.**

Section I



**Belly Pans**

**Engine Compartment Doors**



**Engine Side Frames**

**Engine Side Shields**



**Grilles & Window Frames**

**Skidder Doors**

[www.paintvalleyequipment.com](http://www.paintvalleyequipment.com)

**Sweeps & Brush Screens**

Phone: 877-774-0081

**SECTION I****SIDE SHIELDS, ENGINE COMPARTMENT DOORS, SWEEPS, SCREENS,  
CROSSBARS, GRILLES, MISC.**

	Page
<b>BELLY PANS</b>	
CASE	11
JOHN DEERE	11
<b>SIDE SHIELDS</b>	
CASE	12
CAT	13
DRESSER	12
JOHN DEERE	13
<b>EXCAVATOR COMPARTMENT DOORS</b>	
CAT	14, 15
HITACHI	15
JOHN DEERE	15
KOMATSU	16
<b>SKIDDER DOOR FRAMES</b>	
JOHN DEERE	16
<b>DOZER GRILLES</b>	
CASE	16
JOHN DEERE	16
<b>ENGINE SIDE FRAMES</b>	
JOHN DEERE	17
<b>SUSPENSION PARTS</b>	
CASE	19
CAT	110
JOHN DEERE	17, 18
<b>BACKHOE WINDOW FRAMES</b>	
CASE	16
<b>DOZER SWEEPS &amp; SCREENS</b>	
JOHN DEERE	111-113
CASE	114
CAT	113

**BELLY PANS****CASE, JOHN DEERE**

Part No.	Description	Qty.	Wt.
<b>CASE 450, 550 Belly Pans</b>			
D35159	Belly Pan, Engine 450, 450B	1	43
R46842	Belly Pan, Engine 450C, 455C, 550, 550E, 550G, 550H	1	43
125071A1	Belly Pan, Front Transmission All Models	1	65
R52242	Belly Pan, Rear Transmission 450C, 455C, 550	1	22
<b>CASE 850B, 850C, 850D, 850E, 855C, 855D, 850G Belly Pans</b>			
R31271	Belly Pan, Rear Engine 850B, 850C, 855C	1	65
R31581	Belly Pan, Drive Train Front	1	60
R31580	Belly Pan, Drive Train Rear	1	65
R46834	Belly Pan, Transmission	1	98
R45022	Bracket L/H For transmission belly pan	1	4
R45020	Bracket R/H For transmission belly pan	1	4
R43751	Drawbar	1	87
<b>JOHN DEERE 350, 450, 455, 550, 555</b>			
AT59716	Belly Pan Front, 350, 450, 455, 550, 555	1	49
AT22861	Belly Pan Rear, 450, 450B, 450C, 450D, 450E	1	106
AT59717	Belly Pan Rear, 550, 550B (Use AT22861 & modify to fit for trans. oil filter)	1	
AT30594	Belly Pan Rear, 450B, 450C, 455D, 455E (Loader w/ counterweight)	1	74
AT41661	Belly Pan Rear, 555, 555A, 555B (Use AT22861 & modify to fit for trans. oil filter)	1	
AT18753	Drawbar 450, 455, 550, 555	1	45
<b>JOHN DEERE 450H, 450J, 450K, 550H, 550J, 550K, 650H, 650J, 650K</b>			
AT474632	Belly Pan, Front Also fits 450 P-Tier, 550 P-Tier, 650 P-Tier	1	57
T175248	Belly Pan, Oil Access Also fits 450 P-Tier, 550 P-Tier, 650 P-Tier	1	27
AT385611	Belly Pan, Center 450H, 450J, 550H, 550J, 650H, 650J Only	1	12.5
AT209414	Belly Pan, Rear 450H, 450J, 550H, 550J, 550K s/n -F303907, 650H, 650J, 650K s/n -F303907 Only	2	18
T175014	Rear Cover Also fits 450 P-Tier, 550 P-Tier, 650 P-Tier	1	23
<b>JOHN DEERE 700H, 700J, 700K s/n E217278 - E275435</b>			
AT220916	Bottom Cover, Front	1	70
AT220918	Bottom Cover, Oil Drain	1	5
AT416500	Bottom Cover, Middle Also fits 700K s/n F275598-, 700L	1	20
AT315146	Bottom Cover, Rear Outside	2	21
AT315147	Bottom Cover, Rear Center	1	15
AT474632	Belly Pan, Front 700K s/n F275598-, 700L Only	1	57

**SIDE SHIELDS****CASE, DRESSER**

\*Due to shipping scuffs and scratches; all doors and side shields ship painted but not intended to be final finish paint coating

Part No.	Description	Notes	Qty.	Wt.
<b>CASE 450B, 450C, 455C, 550</b>				
R43197-R40442	Side Shield L/H	450B, This 1 pc. will replace both OEM pieces	1	25
R48058	Side Shield L/H	450C, 455C, 550, 550E, 550G s/n -JJG0255793	1	30
R48061	Side Shield R/H	450C, 455C, 550, 550E, 550G	1	30
<b>CASE 850B, 850C, 855, 855C</b>				
R42614	Side Shield R/H or L/H	Loader	2	11
R42612	Side Shield R/H or L/H	Dozer, Front	2	8
R42613	Side Shield R/H or L/H	Dozer, Rear	2	8
R49552	Side Shield R/H or L/H	850D, 850E, Dozer (Front)	2	10
<b>CASE 480D, 480E</b>				
D123817	Side Shield R/H		1	35
D129481	Side Shield L/H		1	35
37-10-102-10	Latch Assembly	2 used per shield	4	1
<b>CASE 580C, 580D, 580E</b>				
D74230	Side Shield R/H	580C	1	12
D74231	Side Shield L/H	580C	1	12
D122138	Side Shield R/H	580D, 580E, 586	1	36
D125779	Side Shield L/H, with door	580D, 580E, 586	1	36
37-10-102-10	Latch Assembly	2 used per shield	4	1
<b>DRESSER TD7C, TD7E</b>				
622467C91	Side Shield R/H		1	22
622552C91	Side Shield L/H		1	22
<b>DRESSER TD7G</b>				
1244080H91	Side Shield R/H		1	22
1244079H91	Side Shield L/H		1	22
<b>DRESSER TD8C, TD8E</b>				
622471C91	Side Shield R/H		1	26
622470C2	Side Shield L/H		1	26
<b>DRESSER TD8G</b>				
1244058C91	Side Shield R/H		1	26
1244057C91	Side Shield L/H		1	26

**SIDE SHIELDS****CAT, JOHN DEERE**

\*Due to shipping scuffs and scratches; all doors and side shields ship painted but not intended to be final finish paint coating

Part No.	Description	Notes	Qty.	Wt.
<b>JOHN DEERE 350, 350B, 350C, 350D</b>				
AT31177	Side Shield R/H		1	15
T32072	Side Shield L/H		1	15
<b>JOHN DEERE 450, 450B, 450C</b>				
T40518	Side Shield R/H		1	18
T38008	Side Shield L/H		1	15
<b>JOHN DEERE 450D, 450E, 455E, 550, 550B, 555, 555B</b>				
T65440	Side Shield R/H		1	20
T65427	Side Shield L/H		1	20
<b>JOHN DEERE 450G, 455G, 550G, 555G 650G</b>				
T146631	Side Shield R/H		1	24
T146632	Side Shield L/H		1	24
<b>JOHN DEERE 450H, 550H, 650H, s/n -893112</b>				
AT222207	Side Shield R/H		1	54
AT222205	Side Shield L/H		1	54
<b>JOHN DEERE 450H, 550H, 650H, s/n 893113-, 450J, 550J, 650J</b>				
AT222970	Side Shield R/H		1	54
AT222968	Side Shield L/H		1	54
<b>JOHN DEERE 700H</b>				
AT223918	Side Shield R/H		1	75
AT223921	Side Shield L/H		1	62
<b>JOHN DEERE 700J s/n -139435</b>				
AT314034	Side Shield R/H		1	75
AT223921	Side Shield L/H		1	62
<b>JOHN DEERE 700J s/n 139436-</b>				
AT324085	Side Shield R/H	vented, OEM is non-vented	1	75
AT324088	Side Shield L/H	vented, OEM is non-vented	1	62
<b>JOHN DEERE 850C, 850C-II</b>				
AT197864	Side Shield R/H	With hinge & latch	1	30
<b>JOHN DEERE 444C, 444D, 544C, 544D</b>				
AT62593	Side Shield R/H	With hinge	1	31
AT62596	Side Shield L/H	With hinge	1	31
<b>CAT D3, D3B</b>				
6S9655/6S9650	Side Shield R/H & L/H	Available in Sets Only	1	50
<b>CAT D3C III, D4C III, D5C III (s/n: 5HS, 6CS, 7PS, 8ZS, 6ZL795-, 9DL2236-)</b>				
135-3086	Side Shield R/H		1	26
135-3087	Side Shield L/H		1	26
<b>CAT D3G, D4G, D5G (standard panel)</b>				
177-2283	Side Shield R/H		1	32
177-2284	Side Shield L/H		1	32

**COMPARTMENT DOORS****CAT**

\*Due to shipping scuffs and scratches; all doors and side shields ship painted but not intended to be final paint coating

Part No.	Description	Length	Qty.	Wt.
<b>CAT 307, 307B</b>				
119-0311	Comp. Door L/H, with latch & hinge	21 1/4"	1	30
119-0310	Comp. Door R/H, with latch & hinge	28 1/4"	1	39
<b>CAT E110, E120, E120B</b>				
994675	Comp. Door L/H, with latch & hinge	43 1/2"	1	39
1R7039	Comp. Door R/H, with latch & hinge	34 3/4"	1	31
<b>CAT 311, 312</b>				
716310	Comp. Door L/H, with latch & hinge	36 3/8"	1	50
716311	Comp. Door R/H, with latch & hinge	30 7/8"	1	40
<b>CAT 311B, 312B, 312BL (verify latch location prior to ordering)</b>				
116-8441	Comp. Door L/H, with latch & hinge	36 3/8"	1	50
116-8444	Comp. Door R/H, with latch & hinge	33 1/4"	1	43
<b>CAT 315, 315L</b>				
119-0306	Comp. Door L/H, with latch & hinge	Vented 52 1/2"	1	78
119-0307	Comp. Door R/H, with latch & hinge	40 1/4"	1	60
<b>CAT 315B, 315BL, 318B, 318BL</b>				
135-1348	Comp. Door L/H, with latch & hinge	Vented 52 1/2"	1	78
135-1343	Comp. Door R/H, with latch & hinge	40 1/4"	1	60
<b>Cat 316EL, 316F, 316FL, 318EL, 318FL</b>				
350-5007	Comp. Door, L/H w/o latch & hinge	Vented	1	61
350-5000	Comp. Door, R/H w/o latch & hinge	Vented	1	45
<b>CAT 320, 320L (s/n 9KK01359 -up, 2DL00214 -up)</b>				
102-8304	Comp. Door L/H, rear, with latch & hinge	Vented 33 7/8"	1	59
109-7521	Comp. Door R/H, with latch & hinge	44 1/4"	1	61
<b>CAT 320B, 320BL</b>				
122-4068	Comp. Door L/H, with latch & hinge	Vented 33 7/8"	1	59
117-4314	Comp. Door R/H, with latch & hinge	39"	1	61
<b>CAT 322, 322L</b>				
102-4989	Comp. Door L/H, with latch & hinge	Vented 39 3/4"	1	68
102-4994	Comp. Door R/H, with latch & hinge	48 5/8"	1	71
<b>CAT 322B, 322BL, 325B, 325BL</b>				
131-7463	Comp. Door L/H, with latch & hinge	Vented 39 3/4"	1	68
129-3396	Comp. Door R/H, with latch & hinge	48 5/8"	1	71
<b>CAT 330B, 330BL</b>				
135-7522	Comp. Door L/H, with latch & hinge	Vented 43 1/2"	1	78
116-1780	Comp. Door R/H, with latch & hinge	50 1/4"	1	73
<b>CAT 320CL</b>				
208-4108	Comp. Door L/H, rear, with latch & hinge	Vented 36 1/2"	1	52
203-5267	Comp. Door L/H, rear, with latch & hinge, Solid - USE 208-4108			
203-5271	Comp. Door R/H, rear, with latch & hinge	Solid 42 1/2"	1	49
<b>CAT 320DL</b>				
289-6917	Comp. Door L/H, rear, with latch & hinge	Vented 36 1/2"	1	57
289-6915	Comp. Door L/H, rear, with latch & hinge, Solid - USE 289-6917			
289-6913	Comp. Door R/H, rear, with latch & hinge	Solid 42 1/2"	1	46

**COMPARTMENT DOORS****CAT, HITACHI, JOHN DEERE**

\*Due to shipping scuffs and scratches; all doors and side shields ship painted but not intended to be final paint coating

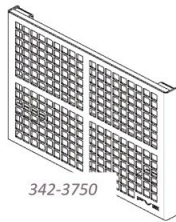
Part No.	Description	Notes	Length	Qty.	Wt.
<b>HITACHI EX60-2, EX60-3, EX60-5</b>					
7017811	Comp. Door R/H, with latch & hinge	Solid	22 1/2"	1	31
7017810	Comp. Door L/H, with latch & hinge	Solid	25 3/4"	1	36
<b>JOHN DEERE 120 HITACHI EX110-2, EX110-3, EX120-2, EX120-3</b>					
AP34175	Comp. Door L/H, with latch & hinge	Solid	36 1/2"	1	50
AP34176	Comp. Door R/H, with latch & hinge	Solid	42 1/2"	1	57
<b>JOHN DEERE 120C</b>					
AP37370	Comp. Door, L/H, with latch & hinge	Vented		1	34
AP37371	Comp. Door, R/H, with latch & hinge	Solid		1	41
<b>JOHN DEERE 160LC</b>					
AP34788	Comp. Door, R/H, with latch & hinge	Vented		1	50
AP35834	Comp. Door, L/H, with latch & hinge	Solid		1	42
<b>JOHN DEERE 200LC, HITACHI EX200-2, EX200-3</b>					
5004445	Comp. Door L/H, front, with latch & hinge		36 1/4"	1	50
5004444	Comp. Door L/H, rear, with hinge	JD 200LC	34 7/8"	1	32
5005150	Comp. Door R/H, rear, with latch & hinge	JD 200LC	38 1/2"	1	47
6011121	Comp. Door L/H, rear, with hinge	EX200-2, EX200-3	35"	1	50
6011122	Comp. Door R/H, w/ latch & hinge	EX200-2, EX200-3	35 1/4"	1	47
<b>JOHN DEERE 200C LC</b>					
DH700044J	Comp. Door, L/H, rear, with hinge	Vented		1	42
DH700043J	Comp. Door, R/H, rear, with latch & hinge	Solid		1	41
<b>JOHN DEERE 200D LC, 240D LC, 270D LC</b>					
DH700183	Comp. Door, L/H, rear, with hinge	Vented		1	46
7049098J	Comp. Door, R/H, rear, with latch & hinge	Solid		1	43
<b>JOHN DEERE 330CLC, 370C</b>					
DH700150	Comp. Door L/H, rear, with latch & hinge	Vented	48 3/4"	1	67
7042138	Comp. Door R/H, rear, with latch & hinge	Vented	49"	1	42
7041715	Comp. Door R/H, rear, with latch & hinge, Solid - USE 7042138				
<b>JOHN DEERE 350D LC</b>					
DH700175	Comp. Door L/H rear, with hinge	Vented		1	52
7049310J	Comp. Door R/H rear, with latch & hinge			1	50

**COMPARTMENT DOORS, FRAMES, & GRILLES**

**CASE, JOHN DEERE, KOMATSU**

*\*Due to shipping scuffs and scratches; all doors and side shields ship painted but not intended to be final finish paint coating*

Part No.	Description	Length	Qty.	Wt.
<b>KOMATSU PC200-3, PC200-5, PC200-6, PC220-3, PC220-5, PC220-6, PC250-6, PC270-6, PC300-3, PC300-5, PC300-6</b>				
20Y-54-25932	Comp. Door L/H, rear, with latch & hinge	Solid 39 1/8"	1	36
20Y-54-25922	Comp. Door R/H, rear, with latch & hinge	Solid 39 1/8"	1	36
<b>KOMATSU PC210LC-11, PC230NHD-11, PC240LC-11, PC290LC-11</b>				
2A6-54-11711	Comp. Door L/H, rear, with latch & hinge	Vented 43-7/8"	1	47
2A6-54-11951	Comp. Door R/H, rear, with latch & hinge	Solid 41-5/8"	1	47
<b>JOHN DEERE 120C, 120D, 135D, 160DLC, 200DLC, 225DLC, 240DLC, 270DLC, 350DLC HITACHI ZAXIS MODELS - 135US-3, 160LC-3, 200LC-3, 225US-3, 240LC-3, 270LC-3, 350LC-3</b>				
PV6900	Front Window Guard		1	151
<b>CAT 312D, 312D L, 312E, 312E L, 312F, 313F L, 315D L, 316E L, 316F L, 318E L, 3218F L, 319D L, 320 (HEX), 320D, 320E, 320E L, 323 (RAZ), 323D, 323F L, 324D, 324D L, 324E, 324E L, 326E L, 326F L, 329D, 329D L, 329E, 329E L, 330F, 335F, 336D, 336E, 336E L, 336F, 336F L, 345D L, 349E L, 349E L, 349F, 349F L</b>				
342-3750	Front Window Guard, Lower		1	63
<b>JOHN DEERE SKIDDER 540E, 540G, 548E, 548G, 640E, 640G, 648E, 648G, 740E, 740G, 748E, 748G</b>				
AT303908	Door Frame Only, R/H, No Hardware		1	47
AT303911	Door Frame Only, L/H, No Hardware <i>(illustrated below)</i>		1	47

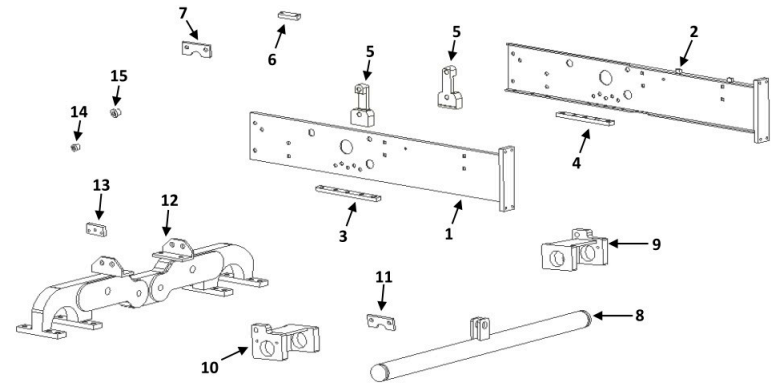


<b>JOHN DEERE Radiator Grilles</b>				
AT312847	Grille	550H, 650H, 450J, 550J, 650J	1	87
AT329795	Grille	700H, 700J, USE AT343615	1	
AT343615	Grille	700H, 700J, HEAVY DUTY	1	130
AT221503	Hose Guard, Grille HD	450H, 450J, 550H, 550J, 650H, 650J, 700H, 700J	1	14
T178661	Hose Guard, Standard	450H, 450J, 550H, 550J, 650H, 650J, 700H, 700J	1	6

<b>CASE Radiator Grilles</b>				
R40844	Grille, Top	1150B, 1150C, 1150D, 155B, 1155C, 1155D	1	48

**SIDE FRAMES AND SUSPENSION PARTS**

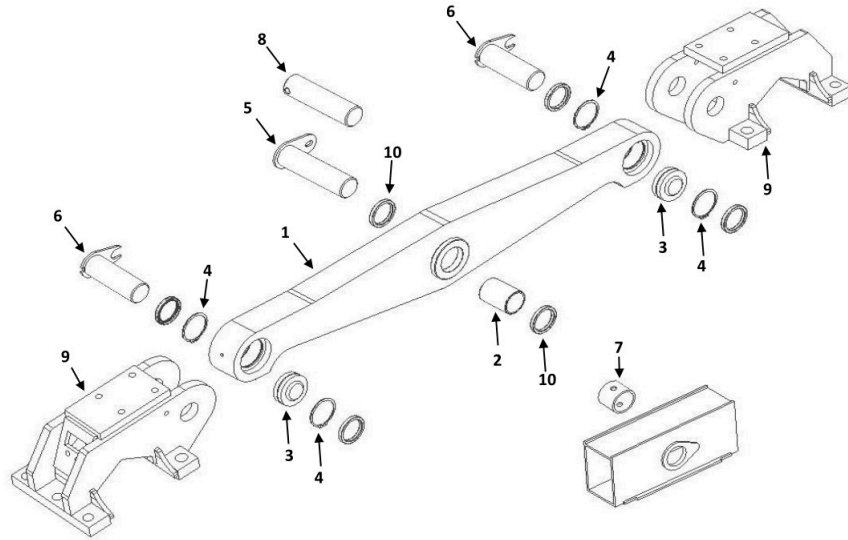
**JOHN DEERE**



Ref. Part No.	Description	Notes	Qty.	Wt.
<b>JOHN DEERE 350, 350B, 350C, 350D, 355D</b>				
1 AT36817	Engine Side Frame L/H		1	58
2 AT36818	Engine Side Frame R/H		1	58
6 T34402	Retainer Plate	For front crossbar	2	1
7 T21248	Retainer Plate	For rear crossbar	2	2
<b>JOHN DEERE 450, 450B, 450C</b>				
1 AT59690	Engine Side Frame L/H		1	72
2 AT59689	Engine Side Frame R/H		1	72
3 T34391	Plate	Reinforcement for side frame	1	3
4 T34392	Plate	Reinforcement for side frame	1	3
5 T34389	Spacer	Side frame	2	7.6
<b>JOHN DEERE 450D, 450E, 455D, 455E, 550, 550B, 555, 555B</b>				
1 AT69007	Engine Side Frame L/H	Without canopy mount brackets	1	72
2 AT69006	Engine Side Frame R/H	Without canopy mount brackets	1	72
2 AT81313	Engine Side Frame R/H	Long Track, Without canopy mount brackets	1	72
3 T34391	Plate	Reinforcement for side frame	1	3
4 T34392	Plate	Reinforcement for side frame	1	3
5 T34389	Spacer	Side frame	2	7.6
<b>JOHN DEERE 450, 450B, 450C, 450D, 450E, 455D, 455E, 550, 550B, 555, 555B</b>				
8 AT18367	Crossbar, Rear		1	200
11 T21230	Retainer Plate		2	2
12 T42720	Crossbar, Front	Replaces 1-T34395	1	395
13 T34390	Retainer Bar		2	2
14 T26160	Heat Treated Bushing	(Small), 350, 450, 450B, 450C	8	0.3
15 T26161	Heat Treated Bushing	(Large), 350, 450, 450B, 450C	4	0.4

SUSPENSION PARTS

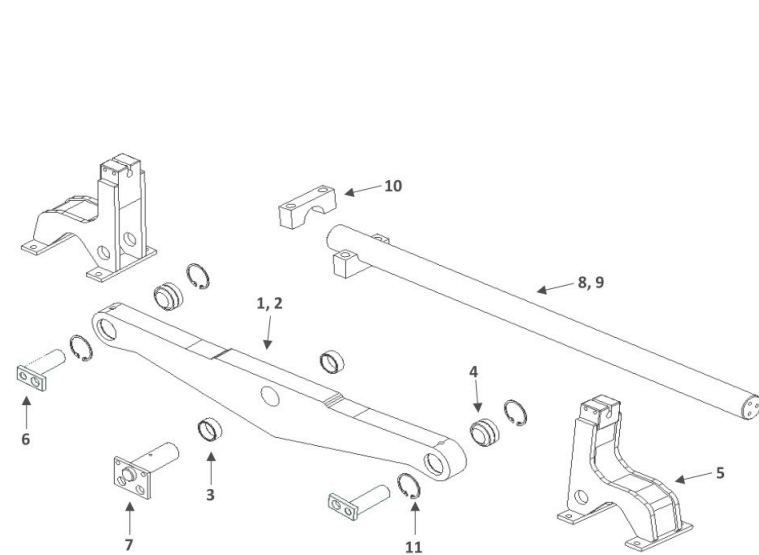
JOHN DEERE



Ref. Part No.	Description	Notes	Qty.	Wt.
<b>JOHN DEERE 700H, 700J, 700K, 700L</b>				
1	AT226611	Crossbar w/ center bushing	<i>LT and XLT Models Only</i>	1 358
1	AT226610	Crossbar w/ center bushing	<i>LGP Models Only</i>	1 390
2	T157251	Bushing	<i>Center</i>	1 2.8
3	AT128774	Bushing, self aligning		2 2.2
4	40M1873	Snap Ring		4 0.05
5	AT221426	Pin		1 14
6	AT226804	Pin	<i>Non-greasable Non-stock, Order AT387824</i>	2
6	AT387824	Pin	<i>Greasable</i>	2 14
9	AT341601	Crossbar Support	<i>700H, 700J (LT Models Only)</i>	2 114
9	AT341602	Crossbar Support	<i>LGP Models Only</i>	2 124
9	AT341605	Crossbar Support	<i>XLT Models Only</i>	2 114
10	T102136	Seal, Crossbar Center		2 0.1
<b>JOHN DEERE 750J, 750K, 750L, 850J, 850K, 850L</b>				
3	AT128774	Bushing, self aligning		2 2.2
4	40M1873	Snap Ring		4 0.05
5	AT314481	Pin	<i>Non-stock, Purchase Item 7 &amp; 8 To Replace Item 5</i>	1
8	T268301	Pin		1 26
6	AT226804	Pin	<i>Non-greasable Non-stock, Order AT387824</i>	2
6	AT387824	Pin	<i>Greasable</i>	2 14
7	T267854	Bushing, center pin boss		1 7
10	T102207	Seal, Crossbar Center		2 0.1

SUSPENSION PARTS

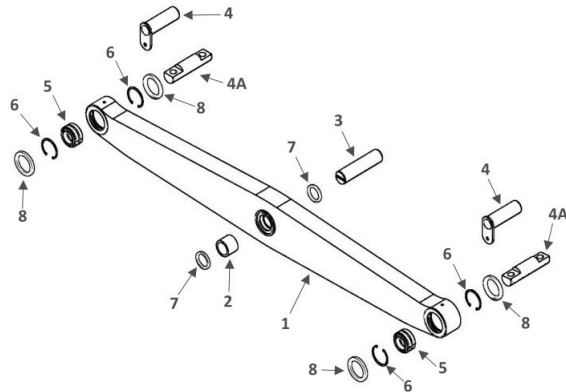
CASE



Ref.	Part No.	Description	Notes	Qty.	Wt.
<b>CASE 1150C, 1150D, 1150E, 1150G, 1150H</b>					
1	R55857	Equalizer Beam	<i>With center bushings, 62" Guage moc</i>	1 330	
2	R55859	Equalizer Beam	<i>With center bushings, LGP &amp; WT, 72"</i>	1 400	
3	D46403	Bushing	<i>Center bushing</i>	2 0.7	
4	R55649	Bushing, self aligning	<i>End bushings</i>	2 2	
5	R36522	Bracket	<i>Equalizer Beam, 1150C</i>	2 38	
5	R45454	Bracket	<i>Equalizer Beam</i>	2 60	
6	R47945	Pin	<i>End Pin</i>	2 5.8	
7	R40497	Pin	<i>Center Pin</i>	1 14	
8	R26860	Equalizer Shaft		1 230	
9	R31363	Equalizer Shaft	<i>LGP &amp; WT</i>	1 270	
10	R49332	Clamp	<i>Equalizer shaft</i>	4 8	
11	N1300-0300	Snap Ring		4 0.05	

SUSPENSION PARTS

CAT



Ref.	Part No.	Description	Notes	Qty.	Wt.
<b>CAT D4H XL, D4H LGP</b>					
1	8E8955	Equalizer Beam	With center bushing, not for LGP machines	1	230
2	7P7858	Bushing	Center	1	1
3	6Y6886	Pin	Center	1	6
4	8G3733	Pin	End	2	7.2
5	9M1328	Bushing, self aligning	End	2	2
6	1K6985	Snap Ring		4	0.05
<b>CAT D5H XL, D5H LGP</b>					
1	8E8789	Equalizer Beam	With center bushing, not for LGP machines	1	310
2	7P6596	Bushing	Center	2	1
3	6Y8248	Pin	Center	1	12
4	8G4187	Pin	End	2	12
5	8G4189	Bushing, self aligning	End	2	2.2
6	1J6472	Snap Ring		4	0.05
<b>CAT D5M XL, D5M LGP, D5N XL, D5N LGP</b>					
1	8E8955	Equalizer Beam	With center bushing, not for LGP machines	1	230
2	7P7858	Bushing	Center	1	1
3	109-0379	Pin	Center	1	6
4	109-0380	Pin	End	2	7.2
5	9M1328	Bushing, self aligning	End	2	2
6	1K6985	Snap Ring		4	0.05
<b>CAT D6K2 (RST, MXK)</b>					
1	434-7474	Equalizer Beam	With bushings and seals	1	
2	7P7858	Bushing	Center	1	
5	9M1328	Bushing, self aligning	End	2	2.0
6	1K6985	Snap Ring		4	0.05
7	7K9203	Seal	Center	2	
8	8G3732	Seal	End	4	
3	248-3946	Pin	Center	1	6.5
4A	271-6058	Pin	End	2	6.0

SWEEPS & BRUSH SCREENS - CANOPY MODELS

JOHN DEERE

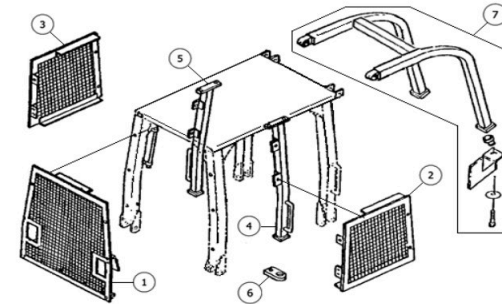
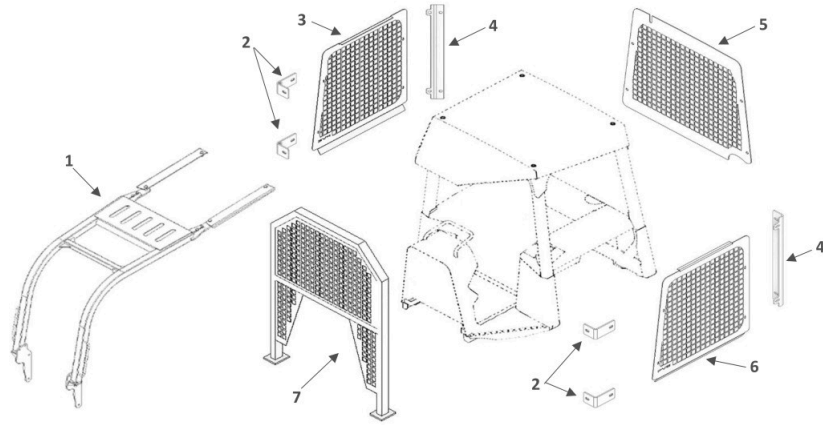


Illustration for G models only.  
See next page for H and J model illustration

Ref.	Part No.	Description	Notes	Qty.	Wt.
<b>JOHN DEERE 450, 450B, 450C, 450D, 450E, 455D, 450E, 550, 550B, 555, 555B</b>					
PV475		Sweeps	With weld on Brackets Sold as a set of 2, Replaces AT53268 & AT53269	1	70
<b>JOHN DEERE 450G, 550G, 650G (reference illustration above)</b>					
PV680		Screen Set		1	300
1	4D-14402C	Rear Screen		1	110
2,3	4D-15069B	Side Screens, L/H & R/H - does not include brackets or post		1	100
4	4C-14399-1	Post, R/H		1	40
5	4C-14399-2	Post, L/H		1	40
6	4B14398	Bracket w/ Grommet	Post Mount	2	4
7	AT165349	Sweeps		1	261
PV681		Brush Screen	Front	1	82
<b>JOHN DEERE 450H, 550H, 650H (reference illustration on next page)</b>					
PV685		Screen Set		1	202
5	AT221071	Rear Screen		1	70
3,6	PV689	Side Screen Set w/ Brackets		1	125
4	PV694	Bracket Pair L/H & R/H	1 used per side screen set	1	8
2	PV695	Bracket	2 used per side screen	4	1.3
7	PV686	Brush Screen	Front, 550H, 650H	1	160
1	AT312406	Sweeps		1	290
<b>JOHN DEERE 450J, 550J, 650J (reference illustration on next page)</b>					
PV699		Screen Set		1	200
5	AT221071	Rear Screen		1	70
3,6	AT312408	Side Screens, L/H & R/H	does not include brackets	1	109
4	PV694	Bracket Pair L/H & R/H	1 used per side screen set	1	8
2	PV695	Bracket	2 used per side screen	4	1.3
7	PV686	Brush Screen	Front, 550J, 650J	1	160
1	AT312406	Sweeps		1	290

**SWEEPS & BRUSH SCREENS - CANOPY MODELS**

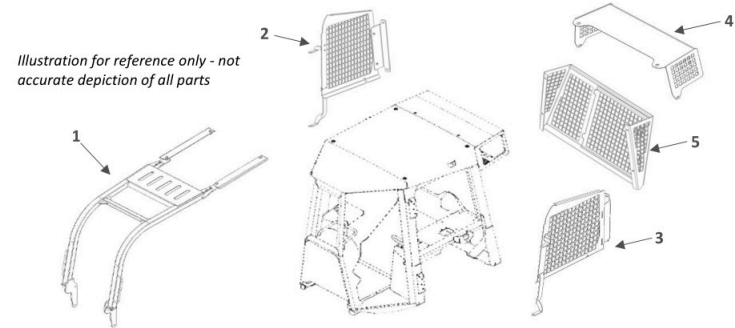
**JOHN DEERE**



Ref. Part No.	Description	Notes	Qty.	Wt.
<b>JOHN DEERE 550K s/n -E275527, 650K s/n -E275533</b>				
1	PV6500	Sweeps	550K IT4, 650K IT4 Only	1 321
<b>JOHN DEERE 700H</b>				
	PV690	Screen Set		1 314
5	AT223603	Rear Screen		1 182
3,6	PV689	Side Screen Set w/ Brackets		1 125
4	PV694	Bracket Pair L/H & R/H	1 used per side screen set	1 8
2	PV695	Bracket	2 used per side screen	4 1.3
1	AT317746	Sweeps		1 375
<b>JOHN DEERE 700J</b>				
	PV670	Screen Set		1 182
5	AT223603	Rear Screen		1 51
3,6	AT312408	Side Screens, L/H & R/H	does not include brackets	1 109
4	PV694	Bracket Pair L/H & R/H	1 used per side screen set	1 8
2	PV695	Bracket	2 used per side screen	4 1.3
1	AT317746	Sweeps		1 375
<b>JOHN DEERE 700K Interim Tier 4 (IT4) s/n - E275435</b>				
1	PV475A	Sweeps		1 400

**SWEEPS & BRUSH SCREENS FOR CAB MODELS**

**JOHN DEERE & CAT**



Ref. Part No.	Description	Notes	Qty.	Wt.
<b>JOHN DEERE 450H, 550H, 650H</b>				
5	PV6001	Rear Screen w/ door		1 65
1	AT312406	Sweeps		1 290
4	PV6003	Air Conditioner Guard		1 77
<b>JOHN DEERE 450J, 550J, 650J</b>				
5	PV6001	Rear Screen w/ door	s/n -150469	1 65
2,3	AT413011	Side Screen Set w/Brackets		1 84
1	AT312406	Sweeps		1 290
4	PV6003	Air Conditioner Guard	s/n -150469	1 77
<b>JOHN DEERE 550K, 650K</b>				
2,3	AT413011	Side Screen Set w/ Brackets	Also fits 450K	1 84
1	PV6500	Sweeps	550K s/n -E275527, 650K s/n -E275533	1 321
<b>JOHN DEERE 700H</b>				
1	AT317746	Sweeps		1 375
4	PV6003	Air Conditioner Guard		1 77
<b>JOHN DEERE 700J</b>				
2,3	AT413011	Side Screen Set w/ Brackets		1 84
5	PV6002	Rear Screen w/ door	s/n -150469	1 86
1	AT317746	Sweeps		1 375
4	PV6003	Air Conditioner Guard	s/n -150469	1 77
<b>JOHN DEERE 700K s/n - E275435</b>				
2,3	AT413011	Side Screen Set w/ Brackets		1 84
1	PV475A	Sweeps		1 400
<b>CAT D3G, D4G, D5G</b>				
2,3	190-1190	Side Screen Set		1 85
5	184-1632	Rear Screen w/ Hinges		1
	PV6008	Cab Door Screen Set		1 86
<b>CAT D3K, D3K2, D4K, D4K2, D5K, D5K2, D6K, D6K2</b>				
2,3	250-1699	Side Screen Set w/ Hinges	Also Fits D1, D2, D3, D4 Next Gen	1 87
5	252-6802	Rear Screen w/ Hinges	D4 Next Gen, D6K, D6K2 Only	1 61
5	272-9780	Rear Screen w/ Hinges	Also fits D1,D2,D3 Next Gen, Not for D6K, D6K2 or D4	1
4	PV6010	AC Guard	Machines w/o rear sweeps	1 62
	PV6009	Cab Door Screen Set	D1, D2, D3 - Next Gen, D3K2, D4K2, D5K2 Only	1 99

**SWEEPS & BRUSH SCREENS**

**CASE**

Ref.	Part No.	Description	Notes	Qty.	Wt.
<b>CASE 450</b>					
F93327		Sweeps		1	125
F42336		Bracket		2	2.9
<b>CASE 450B, 450C, 455C, 550</b>					
R48279		Rear Screen	Not for 450B <i>Also Fits 550E, 550G, 550H</i>	1	40
R47864		Side Screen R/H	Not for 455C <i>sold as a set only</i>	1	35
R47863		Side Screen L/H	Not for 455C <i>sold as a set only</i>	1	35
F44446		Retainer		4	0.8
F43788		Clamp	Bottom	2	0.8
R50365		Clamp	Top	2	0.9
R40074		Insulator	Rubber	4	0.1
<b>CASE 850, 850B, 850C, 850D, 850E, 850G, 855C, 855D</b>					
R48510		Rear Screen	850D, 850E, 850G, 850H, 855D, 855E	1	48
R56543		Clamp	Rear Screen	2	3.2
R40074		Insulator	Rubber	4	0.1
R50420		Side Screen R/H	850, 850B, 850C, 850D, 855C, 855D	1	48
R50419		Side Screen L/H	850, 850B, 850C, 850D, 855C, 855D	1	48
R58826		Side Screen L/H	850E, 850G <i>sold as a set only</i>	1	48
R58827		Side Screen R/H	850E, 850G <i>sold as a set only</i>	1	48
F44446		Retainer		4	0.8
F44447		Clamp, Upper	Side Screen	2	1
F43755		Clamp, Lower	Side Screen	2	0.9
<b>CASE 850 850B, 850C, 850D, 855C, 855D</b>					
R57170		Sweeps		1	250
F93982		Bracket, R/H		1	14
F93983		Bracket, L/H		1	14
F44211		Bushing		4	1
<b>CASE 1150B, 1150C, 1150D, 1150E, 1155D, 1155E</b>					
F44446		Retainer		4	0.8
F43766		Clamp	Upper	2	2.2
F43767		Clamp	Lower	2	2.2
R41175		Bracket	R/H on Loaders, L/H on Dozers	1	20
R41176		Bracket	L/H on Loaders, R/H on Dozers	1	20
F44211		Bushing		4	1
<b>CASE 650H, 750H</b>					
355134A1		Sweeps w/ brackets		1	155
182020A1		Rear Screen	Also fits 650G	1	48
182034A1		Clamp	<i>Also fits 650G</i>	2	3.2
R40074		Insulator	Rubber <i>Also fits 650G</i>	4	0.1



**PVE**  
PAINT VALLEY EQUIPMENT

[www.paintvalleyequipment.com](http://www.paintvalleyequipment.com)  
Phone: 877-774-0081

**SECTION J**  
**TRANSMISSION & FINAL DRIVE PARTS**

**Bearing Kits**

**Final Drive Gears**

**Bearings & Seals**

**Transmission Discs**

**Transmission Parts**

**Torque Converter Pumps**

**Torque Converters**

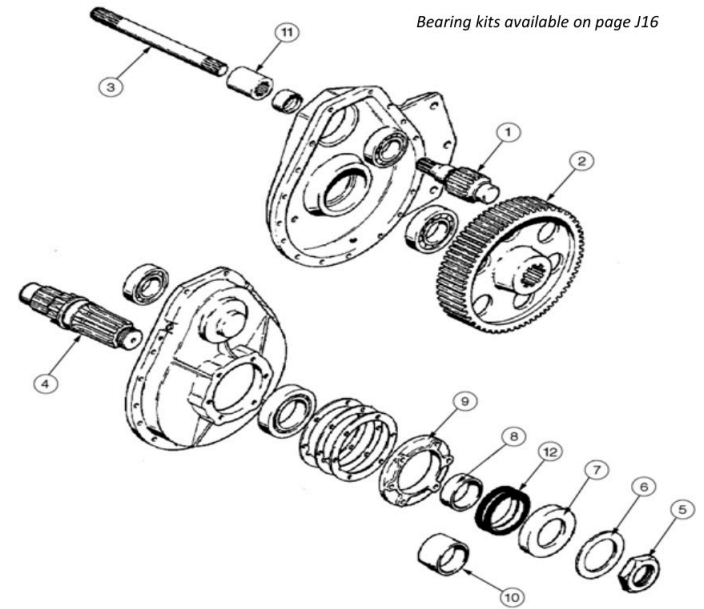
## SECTION J

### TRANSMISSION & FINAL DRIVE PARTS

	Page
<b>DOZER FINAL DRIVE PARTS</b>	
CASE	J1 - J5
CAT	J14
DRESSER	J5
JOHN DEERE	J6 - J12
<b>TRANSMISSION PARTS</b>	
CASE BACKHOE, CRAWLER LOADER, & DOZER	J17, J18
DEERE BACKHOE, CRAWLER LOADER, & DOZER	J19
<b>TRANSMISSION DISCS</b>	
CASE, DRESSER	J20
CAT	J21
JOHN DEERE	J22, J23
<b>FINAL DRIVE BEARING KITS</b>	
CASE	J16
JOHN DEERE	J16
DRESSER	J16
ALLIS CHALMERS	J16
<b>DOZER &amp; EXCAVATOR DUO CONE SEALS</b>	
	J17
<b>CASE TORQUE CONVERTERS &amp; PARTS</b>	
	J18, J19

### FINAL DRIVE PARTS

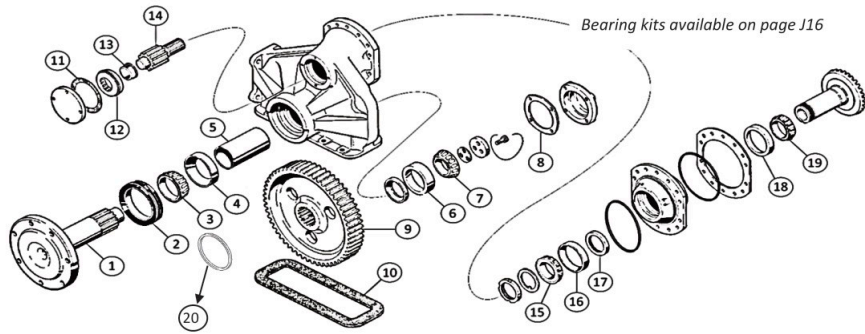
### CASE



Ref.	Part No.	Description	Notes	Qty.	Wt.
<b>CASE 310, 350, 350B</b>					
1	11832	Pinion	6 Spline	2	6
1	D31514	Pinion	10 Spline	2	6
3	11845	Shaft	Final drive to transmission, 6 & 10 spline	2	5
3	D31519	Shaft	Final drive to transmission, 10 spline	2	5
4	11853	Sprocket Shaft		2	17
5	D29126	Sprocket Nut		2	1.4
6	D29125	Washer		2	0.6
7	D43359	Seal Carrier	Used with R39274 seal	2	1.8
8	D43360	Spacer		2	1
9	D43356	Seal Carrier	Used with R39274 seal	2	5
10	PV410	Spacer	To install a 350 sprocket on a 310 machine	2	1.2
12	D29517	Seal	310 - used with old style seal carrier	2	0.6
12	R39274	Seal, Duo Cone	350, 350B	2	0.9
	PV701	Bearing & Seal Kit	310	2	10
	PV702	Bearing & Seal Kit	350, 350B	2	11

FINAL DRIVE PARTS

CASE



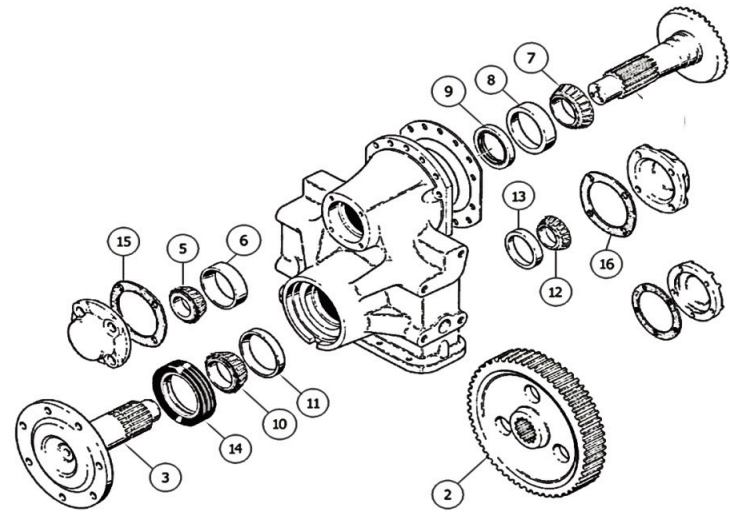
Ref. Part No.	Description	Notes	Qty.	Wt.
<b>CASE 450, 450B, 455B</b>				
1	A51737	Sprocket Shaft	450, 11 1/2" Length 33 splines 2 13/16" OD spline	2 54
1	G106477	Sprocket Shaft	450B, 455B, with G102943 transmission	2 60
2	A50552	Seal, Duo Cone	450, used with A50484 shaft	2 1.7
2	1981095C1	Seal, Duo Cone	450, used with A51737 shaft	2 1.7
3	A50100	Bearing cone		2 1.6
4	A27146	Bearing cup		2 0.8
3	A63185	Bearing cone	450B, 455B, with G102943 transmission	2 2.1
4	A63171	Bearing cup	450B, 455B, with G102943 transmission	2 1.1
5	A50213	Spacer	450 s/n -3060306	2 1.6
6	A50179	Bearing cup		2 0.5
7	G10414	Bearing cone		2 0.9
6	L35931	Bearing cup	450B, 455B, with G102943 transmission	2 0.8
7	G100323	Bearing cone	450B, 455B, with G102943 transmission	2 1.6
9	A50214	Bull Gear	450 33 spline	2 67
9	G101531	Bull Gear	450, 450B, 455B 38 spline	2 60
12	A50145	Bearing		2 1.8
13	A50144	Bearing		2 0.06
14	A50143	Pinion		2 11
15	A50197	Bearing cone		2 1.4
16	F9803	Bearing cup		2 0.8
17	A50419	Seal		2 0.6
18	F9803	Bearing cup		2 0.8
19	F9804	Bearing cone		2 1.4
20	PV411	Spacer	To repair housing	AR 1.3

J2

2026 Parts Catalog

FINAL DRIVE PARTS

CASE



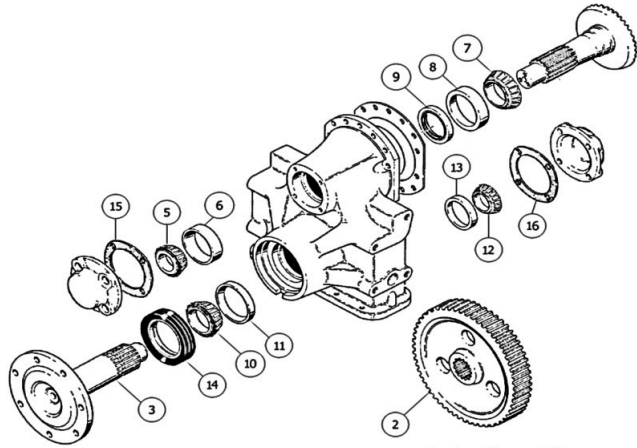
Ref. Part No.	Description	Notes	Qty.	Wt.
<b>CASE 450C, 455C, 550, 550E, 550G, 550H</b>				
2	G101531	Bull Gear	38 spline	2 60
3	G106477	Sprocket Shaft	450C, 455C, 550, 550E, 550G, 550H, LGP models only	2 60
5	86509782	Bearing cone		2 2.7
6	86509783	Bearing cup		2 1.4
7	9823420	Bearing cone		2 2.1
8	9823418	Bearing cup		2 1.1
9	A32015	Seal		2 0.6
10	9823420	Bearing cone	(All models & LGP)	2 2.1
11	9823418	Bearing cup	(All models & LGP)	2 1.1
10	A50100	Bearing cone	450C & 455C (not for LGP machines)	2 1.6
11	A27146	Bearing cup	450C & 455C (not for LGP machines)	2 0.8
12	9670004	Bearing cone	(All models & LGP)	2 1.6
13	9671391	Bearing cup	(All models & LGP)	2 0.8
12	158238C1	Bearing cone	450C & 455C (not for LGP machines)	2 0.9
13	105497H	Bearing cup	450C & 455C (not for LGP machines)	2 0.5
14	1981095C1	Seal, Duo Cone		2 1.7
15	PV411	Spacer	To repair housing	AR 1.3

J3

2026 Parts Catalog

**FINAL DRIVE PARTS**

**CASE**



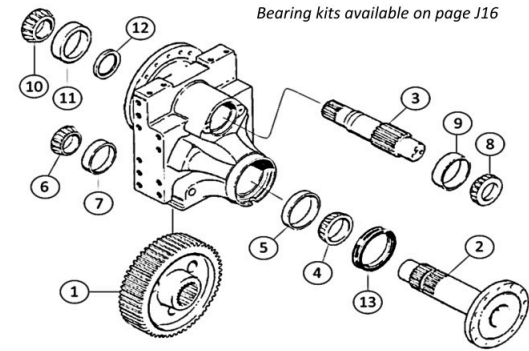
Ref.	Part No.	Description	Notes	Qty.	Wt.
<b>CASE 650, 650G, 850B, 850C, 850D, 855D, 850E, 855E, 850G, non-LGP machines</b>					
2	A50134	Bull Gear		2	93
3	G106477	Sprocket Shaft		2	60
5	86509782	Bearing cone		2	2.7
6	86509783	Bearing cup		2	1.4
7	9823420	Bearing cone		2	2.1
8	9823418	Bearing cup		2	1.1
9	A32015	Seal		2	0.6
10	9823420	Bearing cone		2	2.1
11	9823418	Bearing cup		2	1.1
12	9670004	Bearing cone		2	1.6
13	9671391	Bearing cup		2	0.8
14	1981095C1	Seal, Duo Cone		2	1.7
15, 16	G101598	Gasket		4	0.1
	A50721	Spacer, axle shaft	850's Only	2	0.6
<b>CASE 850C, 850D, 855D, 850E, 855E, 850G, LGP machines</b>					
5	86509782	Bearing cone		2	2.7
6	86509783	Bearing cup		2	1.4
7	9823420	Bearing cone		2	2.1
8	9823418	Bearing cup		2	1.1
9	A32015	Seal		2	0.6
10	83911221	Bearing cone		2	3.6
11	86613319	Bearing cup		2	1.8
12	1997115C1	Bearing cone		2	3.4
13	160301R1	Bearing cup		2	1.8
14	G109655	Seal, Duo Cone		2	1.8
	A50721	Spacer, axle shaft		2	0.6

J4

2026 Parts Catalog

**FINAL DRIVE PARTS**

**CASE & DRESSER**



Ref.	Part No.	Description	Notes	Qty.	Wt.
<b>CASE 1150B, 1150C, 1150D, 1155D, 1150E, 1155E, 1150G, 1150H</b>					
3	G109013	Pinion Shaft		2	40
4	L33736	Bearing cone		2	3.6
5	L33731	Bearing cup		2	1.8
6	A34339	Bearing cone		2	3.4
7	A50324	Bearing cup		2	1.8
8	A50715	Bearing cone		2	4.8
9	L30821	Bearing cup		2	2.2
10	A50714	Bearing cone		2	5.9
11	A50713	Bearing cup		2	2.5
12	A32015	Seal		2	0.6
13	G109655	Seal, Duo Cone		2	1.8
	PV412	Seal Spacer	Welds to Housing, Also fits 1450B, 1455B	2	1
	A179586	Planetary Ring Gear	1450B, 1455B	2	64
	A50721	Spacer, axle shaft	Not for 1150H	2	0.6
<b>DRESSER</b>					
	636695R1	Pinion	500	2	13

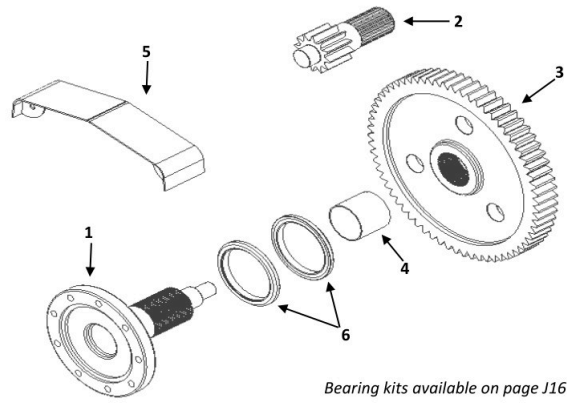
J5

2026 Parts Catalog

**FINAL DRIVE PARTS**

**JOHN DEERE**

Ref. Part No.	Description	Notes	Qty.	Wt.
<b>JOHN DEERE FINAL DRIVE PARTS</b>				
T24862	Pinion	350 s/n 20539-, 350B, 540E, 548E, 640E, 648E, 540G, 548G, 640G, 648G, 690B, 690C, 890, 990, 4000 Series winch	2	4
T29461	Bull Gear	350 s/n 71120-, 350B, 690B, 690C, 890, 990	2	35
AT36097	Seal	350, 350B, 350C, 350D	2	1.5



<b>JOHN DEERE 450 &amp; 550 FINAL DRIVE PARTS</b>				
1	T68003	Sprocket Shaft	450C s/n 356667-, 550 s/n 356814-, 555 s/n 356814-, 64 spline	2 55
2	T31999	Pinion	450B, 450C, 450D, 450E standard track s/n -719252	2 14
2	T40859	Pinion	450E LT s/n -719252, 550, 555, 550B, & 555B, s/n -719252	2 12
<b>Also order T55233 spacer</b>				
3	T68001	Bull Gear	550 s/n 358614-, 555 s/n 358614-	2 75
4	T20664	Spacer	450 (2.5")	2 0.8
4	T32001	Spacer	450B, 450C (2.187")	2 0.7
4	T55233	Spacer	450D, 450E, 455D, 455E, 550B, 555, 555B (3")	2 1
5	AT50847	Final Drive Guard Top		2 5
6	AT72157	Seal, Duo Cone		2 1.7

**TRANSMISSION & FINAL DRIVE PARTS**

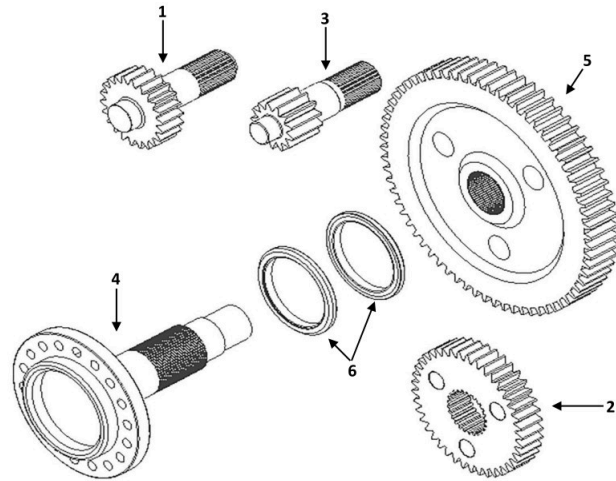
Part No.	Description	Notes	Qty.	Wt.
<b>JOHN DEERE 350, 350B, 350C, 350D</b>				
T34352	Shaft	Transmission input	1	10
T34905	Shaft	Shuttle Output	1	7
T14923	Coupler	For above shafts	1	2
T16598	Cluster Gear	23-27-34 Teeth	1	9
T16326	Gear	Second and reverse	1	3
T23653	Shaft	Transmission input, 1010, 350	1	11

<b>JOHN DEERE 400G, 450E, 455E</b>				
AT80834	Drive Shaft	Front	1	9

<b>Case 880-980-B Drott 35-40-50 Final Drive Parts</b>				
S609333	Pinion		2	2
S603741	Gear		2	36
S242157	Rex Bearing	Sprocket shaft	2	15
S242158	Rex Bearing	Sprocket shaft	2	24
S209721	Rex Bearing	Sprocket shaft	2	15

**FINAL DRIVE PARTS**

**JOHN DEERE**



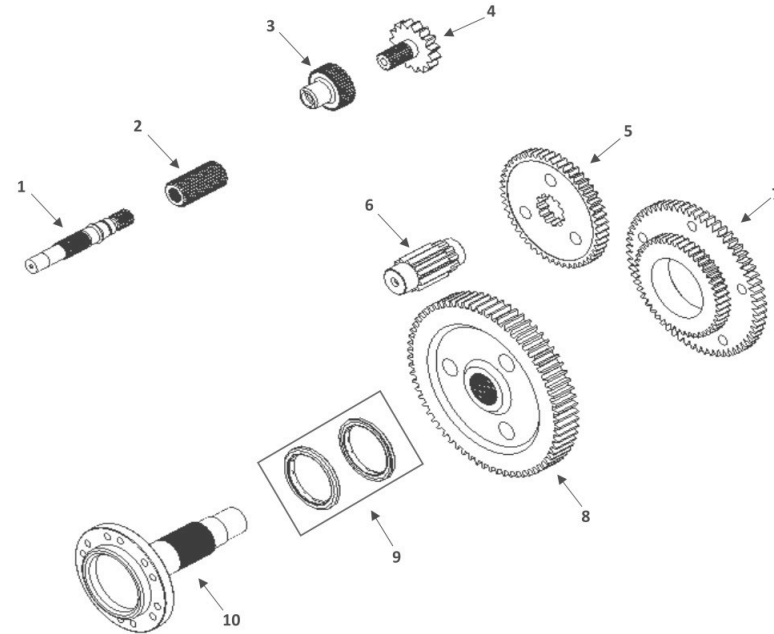
Bearing kits available on page J16

*\*Double Reduction Final Shown*

Ref.	Part No.	Description	Notes	Qty.	Wt.
<b>JOHN DEERE 450G, 455G (For Single Reduction Final Drive)</b>					
3	T83325	Pinion, 12T	450G, 450G LT, 450G LGP s/n 797652-, 455G	2	13
3	T105540	Pinion, 12T	450G WT, 450G LGP s/n -773999, 455G WT	2	17
4	T147688	Axle	450G WT, 450G LGP, 455G WT	2	55
4	T147689	Axle	450G, 450G LT, 455G	2	65
5	T161932	Bull Gear, 68T		2	102
6	AT72157	Seal, Duo Cone		2	1.7
<b>JOHN DEERE 550G (For Single Reduction Final Drive)</b>					
5	T106838	Bull Gear, 66T		2	80
6	AT72157	Seal, Duo Cone		2	1.7
3	T105539	Pinion, 10T		2	16.0
<b>JOHN DEERE 550G, 650G (For Double Reduction Final Drive)</b>					
1	T105458	Pinion	22 teeth	2	18
2	T105459	Idler Gear	41 teeth	2	25
3	T105460	Idler Pinion	12 teeth	2	20
4	T147688	Axle	s/n -785187	2	55
4	T145239	Axle	s/n 785188-	2	55
5	T162073	Bull Gear	53 teeth	2	87
6	AT72157	Seal, Duo Cone		2	1.7

**TRANSMISSION & FINAL DRIVE PARTS**

**JOHN DEERE**



Bearing kits available on page J16

**TRANSMISSION & FINAL DRIVE PARTS**

**JOHN DEERE**

Ref.	Part No.	Description	Notes	Qty.	Wt.
<b>JOHN DEERE 450H, 450J, 450K, 450 P, 550H, 550J, 550K, 550 P</b>					
1	T176423	Hydrostat Motor Shaft	450H, 550H Only	2	5
2	T175723	Coupler, Splined	550H Only	2	4
2	T175722	Coupler, Splined	450H Only	2	3.4
3	T204339	Shaft, Brake		2	6
		450J, 450K, 450 P, 550J, 550K, 550 P			
4	T214597	Gear 22T, Pinion		2	4
		450J s/n -108541, 550H, 550J s/n -108451			
5	T172543	Spur Gear 57T, 2nd Idler Ring		2	30
		450H, 450J s/n -108541, 550H, 550J s/n -108451			
5	T172542	Spur Gear 58T, Final Ring		2	31
		450J s/n 108542-, 450K, 450 P, 550J s/n 108452-, 550K, 550 P			
6	T169138	Spur Gear 11T, 2nd Idler Pinion		2	14
7	T172541	Spur Gear 81T, 1st Idler Cluster		2	25
		450H, 450J s/n -108541, 550H, 550J s/n -108451			
7	T213663	Spur Gear 51T, 1st Idler Cluster		2	24
		450J s/n 108542-, 450K, 450 P, 550J s/n 108452-, 550K, 550 P			
8	T169137	Spur Gear 63T, Bull Gear		2	96
9	AT72157	Seal, Duo Cone		2	1.7
10	T169014	Spindle, Axle		2	63

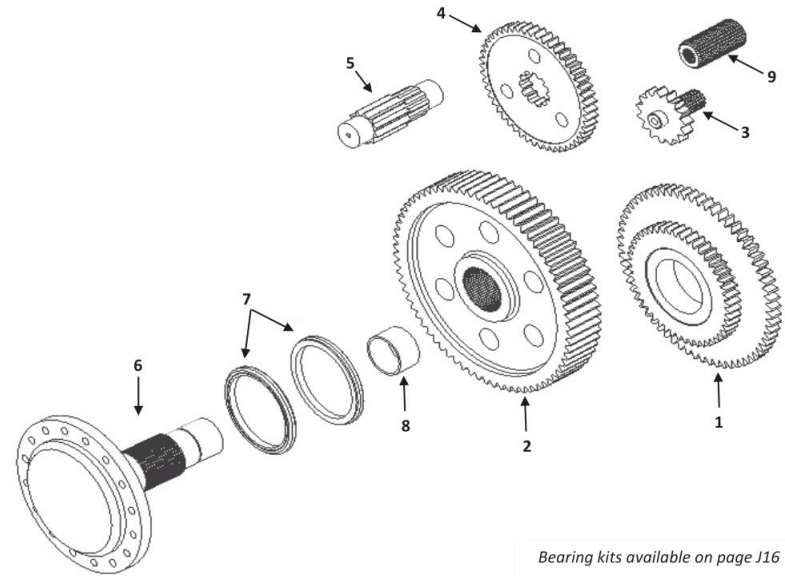
<b>JOHN DEERE 650H, 650J, 650K, 650 P</b>					
1	T176423	Hydrostat Motor Shaft	650H Only	2	5
2	T175723	Coupler, Splined	650H Only	2	4
3	T204339	Shaft, Brake		2	6
		650J, 650K, 650 P			
4	T214598	Gear 21T, Pinion		2	3.6
		650H, 650J s/n -108541			
4	T213662	Gear 13T, Pinion		2	3.8
		650J s/n 108452-, 650K, 650 P			
5	T172542	Spur Gear 58T, Final Ring		2	31
6	T169138	Spur Gear 11T, 2nd Idler Pinion		2	14
7	T172541	Spur Gear 81T, 1st Idler Cluster		2	25
		650H, 650J s/n -108451			
7	T213663	Spur Gear 51T, 1st Idler Cluster		2	24
		650J s/n 108452-, 650K, 650 P			
8	T169137	Spur Gear 63T, Bull Gear		2	96
9	AT72157	Seal, Duo Cone		2	1.7
10	T173628	Spindle, Axle		2	64

J10

2026 Parts Catalog

**FINAL DRIVE PARTS**

**JOHN DEERE**



Bearing kits available on page J16

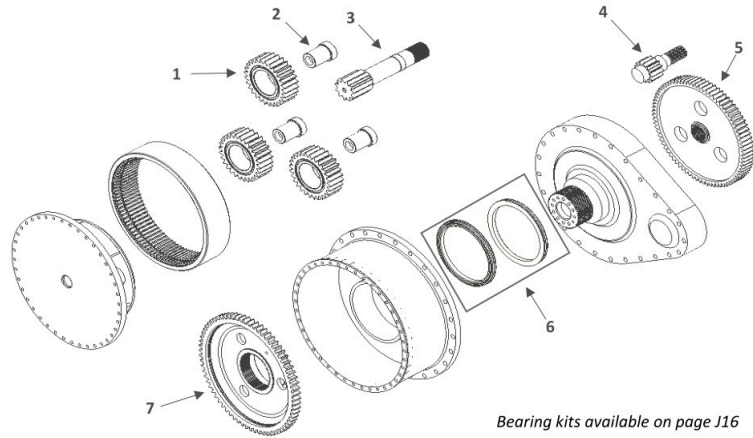
Ref.	Part No.	Description	Notes	Qty.	Wt.
<b>JOHN DEERE 700H, 700J s/n -275597, 700K s/n E217278-275435</b>					
1	T180549	Spur Gear, 64T Gear A, 48T Gear B		2	73
2	T174326	Spur (Bull) Gear, 71T		2	150
3	T179675	Spur Gear 13T, Pinion		2	5
4	T180548	Spur Gear 50T, 2nd reduction		2	24
5	T174327	Pinion 11T		2	19
6	T174975	Spindle, Axle		2	105
7	AT223910	Seal, Duo Cone	Also Fits 700K s/n F275598-, 700L	2	2.7
8	T175615	Axle Spacer		2	3.0
9	T178266	Splined Coupler		2	2.2
<b>JOHN DEERE 700J s/n 275598-, 700K s/n F275598-, 700L, 700 P</b>					
1	T336690	Spur Gear, 61T Gear A, 33T Gear B		2	65
2	T289171	Spur (Bull) Gear, 70T		2	132
3	T336691	Spur Gear 13T, Pinion		2	5.5
4	T289176	Spur Gear 54T, 2nd reduction		2	33
5	T289174	Pinion 16T		2	28
6	T336881	Spindle, Axle		2	105
7	AT223910	Seal, Duo Cone	Also Fits 700K s/n F275598-, 700L	2	2.7
8	T175615	Axle Spacer		2	3.0
9	T178266	Splined Coupler		2	2.2

J11

2026 Parts Catalog

FINAL DRIVE PARTS

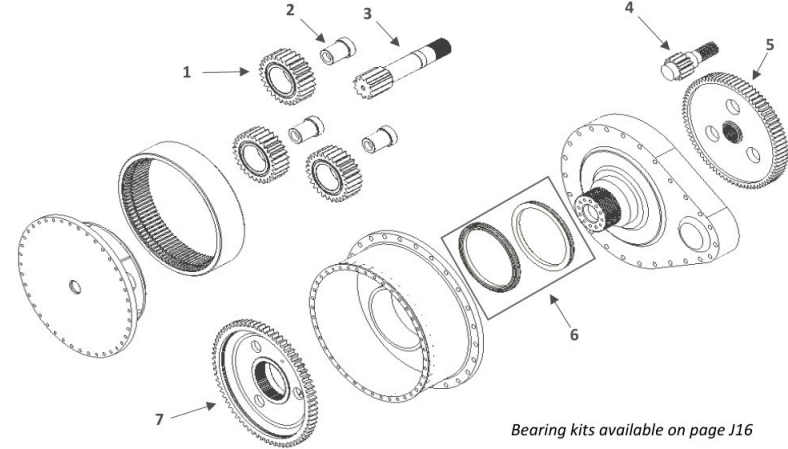
JOHN DEERE



Part No.	Description	Notes	Qty.	Wt.
<b>JOHN DEERE 750J, 750K (STD, LT), 750L XLT, 750 P XLT, 655K</b>				
1	T394705	Planetary Gear, 29T	6	20
2	T372247	Pin, Planetary Gear	6	6.5
3	T394703	Sun Gear	2	25
4	T215926	Pinion Shaft, 12T	2	12
		<i>750J s/n -162859 Only</i>		
4	T394697	Pinion Shaft, 13T	2	12
5	T141823	Bull Gear, 73T	2	68
		<i>750J s/n -162859 Only</i>		
5	T394702	Bull Gear, 79T	2	71
6	AT374827	Seal, Duo Cone	2	7
		<i>750J s/n -185663 Only</i>		
6	AT505275	Seal, Duo Cone	2	8.4
<b>JOHN DEERE 750J, 750K, 750L, 750 P (WT, LGP)</b>				
1	T394705	Planetary Gear, 29T	6	20
2	T372247	Pin, Planetary Gear	6	6.5
3	T394703	Sun Gear	2	25
4	T215929	Pinion Shaft, 12T	2	12
		<i>750J s/n -166490 Only</i>		
4	T394698	Pinion Shaft, 13T	2	12
5	T141823	Bull Gear, 73T	2	68
		<i>750J s/n -162859 Only</i>		
5	T394702	Bull Gear, 79T	2	71
6	AT374827	Seal, Duo Cone	2	7
		<i>750J s/n -181538 Only</i>		
6	AT505275	Seal, Duo Cone	2	8.4

FINAL DRIVE PARTS

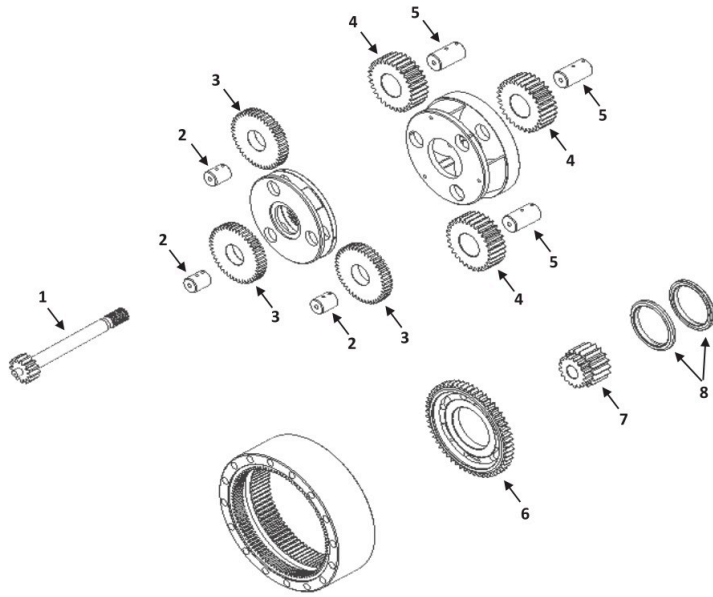
JOHN DEERE



Part No.	Description	Notes	Qty.	Wt.
<b>JOHN DEERE 850J, 850K (STD, LT)</b>				
1	T394706	Planetary Gear, 28T	6	26
2	T372247	Pin, Planetary Gear	6	6.5
3	T394704	Sun Gear	2	29
4	T215930	Pinion Shaft, 12T	2	13
		<i>850J s/n -164780 Only</i>		
4	T394699	Pinion Shaft, 13T	2	13
5	T141823	Bull Gear, 73T	2	68
		<i>850J s/n -164780 Only</i>		
5	T394702	Bull Gear, 79T	2	71
6	AT374827	Seal, Duo Cone	2	7
		<i>850J s/n -177272 Only</i>		
6	AT505275	Seal, Duo Cone	2	8.4
7	T200201	Hub	2	63
<b>JOHN DEERE 850J, 850K (LGP, WT, WLT), 850L, 850 P (XLT, LGP, WLT)</b>				
1	T394706	Planetary Gear, 28T	6	26
2	T372247	Pin, Planetary Gear	6	6.5
3	T394704	Sun Gear	2	29
4	T215927	Pinion Shaft, 12T	2	18
		<i>850J WT/WLT s/n -165123 Only</i>		
4	T215928	Pinion Shaft, 12T	2	20
		<i>850J LGP s/n -163374 Only</i>		
4	T394699	Pinion Shaft, 13T	2	13
		<i>850L, 850 P XLT Only</i>		
4	T394700	Pinion Shaft, 13T -	2	18
		<i>850J LGP s/n -163374, 850J WT/WLT s/n 165124-, 850K WT/WLT, 850L WLT, 850 P WLT</i>		
4	T394701	Pinion Shaft, 13T -	2	21
		<i>850J LGP s/n 163375-, 850K LGP, 850L LGP, 850 P LGP</i>		
5	T141823	Bull Gear, 73T -	2	68
		<i>850J LGP s/n -163374, 850J WT, WLT s/n -165123</i>		
5	T394702	Bull Gear, 79T -	2	71
		<i>850J LGP s/n 163375-, 850J WLT s/n 165124-, 850K, 850L, 850 P</i>		
6	AT374827	Seal, Duo Cone -	2	7
		<i>850J s/n -175721, 850J s/n -180889 Only</i>		
6	AT505275	Seal, Duo Cone	2	8.4
7	T200201	Hub	2	63

FINAL DRIVE PARTS

CAT



Bearing kits available on page J16

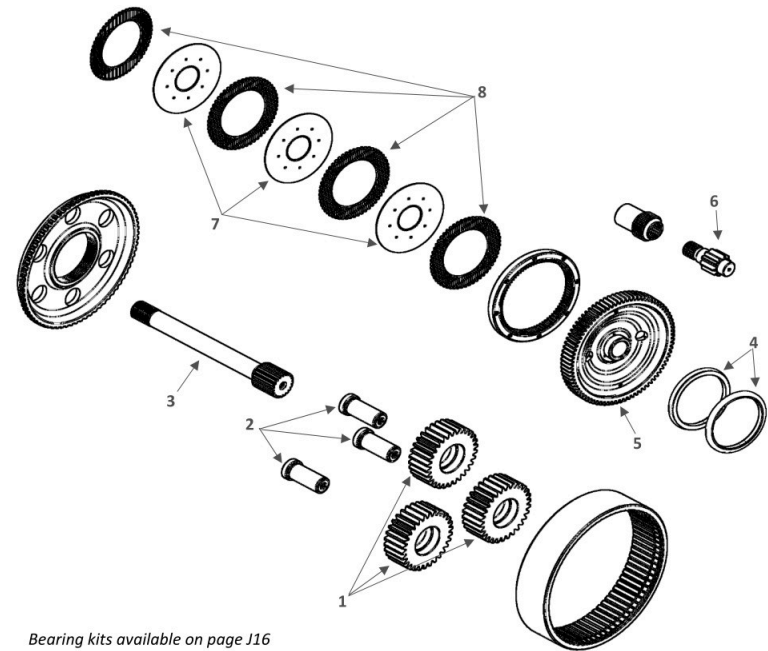
Part No.	Description	Notes	Qty.	Wt.
<b>CAT D3K, D3K2, D4K, D4K2, D5K, D5K2, and D1, D2, D3 (Next Gen Models)</b>				
1	322-0304	Sun Gear, 13T	2	7.5
2	7Y0225	Planetary Shaft	6	1.5
3	247-1459	Planetary Gear, 44T	6	7.5
4	244-1518	Planetary Gear, 30T	6	10
5	7Y0223	Planetary Shaft	6	3.5
6	244-1522	Gear Coupling, 55T	2	15
7	244-1516	Sun Gear, 17T	2	6.0
8	6Y-0859	Seal, Duo Cone	2	4.5

J14

2026 Parts Catalog

FINAL DRIVE PARTS

CAT



Bearing kits available on page J16

Part No.	Description	Notes	Qty.	Wt.
<b>CAT D6K (DHA1-1999), D6K2 (JTR757-889, RST1-2209, 7P6, EL71-212, MXK1-279)</b>				
1	8G4565	Planetary Gear, 30T	6	25.0
2	179-6707	Planetary Pin	6	5.0
3	239-1249	Sun Shaft, 10T	2	24.0
4	6Y-0859	Seal, Duo Cone	2	4.5
5	239-1255	Bull Gear, 81T	2	35.0
6	239-1256	Pinion, 13T	2	6.0
7	3W5159	Brake Plate	6	1.5
8	170-8714	Brake Disc, Friction	8	0.8

J15

2026 Parts Catalog

**FINAL DRIVE BEARING KITS**

Part No.	Description	Notes	Qty.	Wt.
<b>CASE</b>				
PV701	Bearing Kit	310	2	10
PV702	Bearing Kit	350, 350B	2	11
PV703	Bearing Kit	450 to s/n 3038435	2	7
PV704	Bearing Kit	450 after s/n 3038436, 450B	2	9
PV705	Bearing Kit	Pinion carrier bearing set, 450, 450B	2	5
PV706	Bearing Kit	450C, 455C	2	13
PV707	Bearing Kit	850	2	11
PV708	Bearing Kit	650, 650G, 850B, 850C, 850D, 855D, 850E, 855E, 850G, non-LGP machines	2	15
PV712	Bearing Kit	850C, 850D, 855D, 850E, 855E, 850G, LGP machines	2	21
PV709	Bearing Kit	1150 to Trans. s/n 2663630	2	21
PV710	Bearing Kit	1150 after Trans. s/n 2663631	2	22
PV711	Bearing Kit	1150B, 1150C, 1150D, 1150E, 1155D, 1155E	2	29
<b>CAT</b>				
637-2958	Bearing Kit	D4 Next Gen., D6K, D6K2	2	45
<b>JOHN DEERE</b>				
PV720	Bearing Kit	420	2	6
PV721	Bearing Kit	440 to s/n 456800	2	6
PV722	Bearing Kit	440 after s/n 456801	2	7
PV723	Bearing Kit	1010 to s/n 31000	2	7
PV724	Bearing Kit	1010 after s/n 31001	2	8
PV725	Bearing Kit	350 to s/n 20538	2	8
PV726	Bearing Kit	350 after s/n 20539, 350B	2	8
PV731	Bearing Kit	350C, 350D, 400G	2	8
PV727	Bearing Kit	450 used with T20668 Pinion	2	9
PV728	Bearing Kit	450B, 450C to s/n 388460	2	9
PV729	Bearing Kit	450C after s/n 388460, 450D, 450E to s/n 719252, 455C, 455D, 455E to s/n 719252	2	9
PV730	Bearing Kit	550 to s/n 388459, 555 to s/n 388459	2	10
PV733	Bearing Kit	450E after s/n 719253, 455E after s/n 719253, 450E LT, 450E WT, 550 after s/n 388460, 550A, 550B, 555 after s/n 388460, 555A, 555B	2	10
PV737	Bearing Kit	450G, 450G LT, 455G, 555G, 450G WT to s/n 795142 Single Reduction Final	2	14
PV738	Bearing Kit	450G WT after s/n 795143	2	14
PV739	Bearing Kit	550G, 650G, to s/n 785187	2	17
PV740	Bearing Kit	550G, 650G, after s/n 785188	2	19
PV742	Bearing Kit	450H, 450I, 450K, 450P, 550H, 550I, 550K, 550P, 650H, 650I, 650K, 650P	2	20
PV743	Bearing Kit	700H, 700I, 700K, 700L, 700 P	2	34.5
PV745	Bearing Kit	750I, 850I	2	71
PV744	Bearing Kit	655K, 750I-II, 750K, 755K, 750L, 850I-II, 850K, 850L, 850 P	2	71
<b>DRESSER</b>				
PV735	Bearing Kit	TD7, TD7C, TD7E, 100, 100C, 100E	2	9
PV736	Bearing Kit	TD8, TD8C, TD8E, 125, 125C, 125E	2	9
<b>ALLIS CHALMERS</b>				
PV741	Bearing Kit	HD3, HD4, 653, 655	2	7

J16

2026 Parts Catalog

**FINAL DRIVE & TRANSMISSION PARTS**

**JOHN DEERE, HITACHI, & CASE**

Part No.	Description	Notes	Qty.	Wt.
<b>CAT D3C III, D3G, D3K, D3K2, D4C III, D4G, D4K, D4K2, D5C III, D5G, D5H, D5K, D5K2, D5M, D5N, D5R, D5R2, D6H, D6K, D6K2, D6M, D6N, D6R (I-III), D6T, D7G, D7G2, D7H, D7R, D7R II, D8N, D8R (I-II), D8T, D1, D2, D3, D4, D5, D6 (NEXT GEN), 933C, 939C, 953D, 963D, 963K, 527</b>				
6Y-0859	Seal, Duo cone		2	4.5
<b>HITACHI ZX160LC-3, ZX160LC-5G, ZX160LC-5N, ZX160LC-6N, ZX180LC-5G, ZX180LC-5N, ZX180LC-6N, ZX200LC-3, ZX210-5A, ZX210-5G, ZX210LC-5N, ZX210LC-6N, ZX240LC-3, ZX245USLC-5N, ZX245USLC-6N</b>				
FYB00000549	Seal, Duo Cone		2	5.2
<b>JOHN DEERE 160DLC, 160GLC, 180GLC, 200LC, 200CLC, 200DLC, 200G, 210G, 210GLC, 225DLC, 230LC, 230CLC, 230LCRD, 230LCR, 240DLC, 245GLC, 250GLC, 790ELC</b>				
FYB00000549	Seal, Duo Cone		2	5.2
<b>JOHN DEERE / HITACHI 110, 120, 120C, 120D, 130G, 130GLC, 130 P, 135C, 135D, 135G, 135 P, 490E, EX110-5, ZAXIS120-3, ZAXIS 130-5G, ZAXIS 130-5N, ZAXIS 130-6N, ZAXIS 135-5N, ZAXIS 135-6N</b>				
AT154151	Seal, Duo Cone		2	
<b>JOHN DEERE / HITACHI 160LC, EX160LC-5</b>				
0693001	Seal, Duo Cone		2	5.8
<b>JOHN DEERE 319D, 319E, 323D, 323E, 325G, 329D, 329E, 333D, 333E, 333G</b>				
AT388624	Face Seal Kit		2	4.4
PV749	Seal, Duo Cone		2	3.0
<b>KOMATSU D61EX-12, D61PX-12, D61EX-15, D61PX-15, PC200-3, PC200-5, PC200-6, PC200-7</b>				
150-27-00029	Seal, Duo Cone		2	5.7
<b>KOMATSU D37E-5, D37P-5A, D37PG-5A, D31E-20, D31E-17, D31P-20T, D31P-20A, D31P-18A, D31P-18, D31P-17, D31P-17A, D31P-16, D31P-16A, PC100-1, PC120-1, PC120-5</b>				
170-27-00010	Seal, Duo Cone		2	2.0
<b>CASE 480, 480B, 580, 580B</b>				
A144339	Side Gear	Long	1	7
A168925	Bull Gear		2	32
<b>CASE 480C, 480D, 580C, 580D</b>				
A168172	Gear	Sliding, first & second	1	3
<b>CASE 580E, 580K s/n -JJG0020000</b>				
A168883	Ring & Pinion Set	Will also fit 480D after trans s/n 16270319	1	24
A153711	Pin	Differential pinion gear	3	1
A168172	Gear	Sliding, first & second	1	3
A154940	Bull Gear		2	29
<b>CASE 480E, 480F, 580D, 580E, 580K, 584D, 584E, 585D, 585E, 586D, 586E</b>				
A168330	Shaft, Transaxle Main		1	6
<b>CASE 570L, 580L, 580SL, 580M, 580SM, 585G, 586G, 588G</b>				
87524437	Transmission Control Valve Gasket Kit		1	0.2
<b>CASE 570MXT, 570MXT Ser.3, 570N EP, 570NXT, 580L Ser.2, 580M (ALL), 580N (ALL), 580SL Ser.2, 580SM (ALL), 580SM+ Ser.3, 580SN (ALL), 590SM (ALL), 590SM+ Ser.3, 590SN, 586H, 588G, 588H</b>				
358638A1	Pinion, 29T, Transmission Input		1	3.5
<b>SYNCHRONIZER ASSEMBLIES</b>				
A182240	Synchronizer	480E, 580K	1	3.8
A151114	Synchronizer	480C, 580C	1	4
A138655	Synchronizer	580C, 580D, 580E	1	4
L33333	Synchronizer	680 Series	1	3.4
L33334	Synchronizer	680 Series	1	7.5

J17

2026 Parts Catalog

**TORQUE CONVERTERS & PARTS**

**CASE**

Part No.	Description	Notes	Qty.	Wt.
<b>CASE 350, 350B</b>				
103293A1R	Torque Converter	Loader	1	30
R41643R	Torque Converter	Dozer	1	30
574142	Rebuild Kit	For Shuttle	1	10

<b>CASE 450, 450B</b>				
D52422R	Torque Converter	With ring on housing, (R & R only)	1	71
R42395R	Torque Converter	Flex Plate Style	1	71

<b>Case Torque Converters Rebuilt</b>				
PV220R	Torque Converter	850, 850B, 850C Dozer 1150B, 1150C, 1155D Loader	1	77
PV221R	Torque Converter	850, 850B, 850C, 855C, Loader	1	77

**CASE TORQUE CONVERTER PARTS**

<b>850, 850B, 850C, 850D, 855C, 855D, 1150, 1150B, 1150C, 1150D, 1150E, 1155E, 1450, 1450B, 1455, 1455B</b>				
D31934	Impeller		1	8.6
D31935	Turbine		1	7.2
D48856	Impeller		1	8.6
D37376	Impeller		1	8.9
D49383	Impeller		1	9
D75861	Torque Hub		1	7
D32026	Output Shaft		1	7
D75862	Gear	With sleeve	1	3
D32003	Gear	Torque driven	1	3
D78330	Gear	Hydraulic pump drive 15 Spline	1	2.2
R46562	Gear	Hydraulic pump drive 14 Spline	1	1
D32015	Pilot	Flywheel, for case engines	1	4.6
N9775	Pilot	Flywheel, for cummins engines	1	5.6
D31936	Guide Wheel	Loader models only	1	4.3
D37377	Guide Wheel	Dozer models only	1	4.4
N9777	Rotating Housing	For cummins engines	1	40

**TRANSMISSION PARTS, SHUTTLES, PUMPS, & MISC**

**CASE & JOHN DEERE**

Part No.	Description	Notes	Qty.	Wt.
<b>CASE TORQUE CONVERTER &amp; TRANSMISSION PUMPS</b>				
137093A1	Pump	350, 580C, 580D, 580E, 580K	1	9
119994A1	Pump	550E, 550G, 550H, 650G, 650H, 750H, 850E, 850G, 850H, 855E, 580SK, 590	1	11
181199A4	Pump	570L, 580L, 580SL, 580M, 580SM, 585G, 586G, 588G 590SL, 590SM w/out powershift	1	16
87429970	Pump	CASE 570MXT Ser.3, 570N EP, 570NXT, 575N EP, 580M Ser.2, 580M Ser.3, 580SM Ser.3, 580SM+ Ser.2, 580SM+ Ser.3, 580N, 580N EP, 580SN, 580SN WT, 580SV, 590SM Ser.2, 590SM Ser.3, 590SM+ Ser.3, 590SN, (w/o powershift)	1	16.5
1995137C1R	Torque Converter	550E, 550G, 550H, 580SK, 580SL, 580SL Ser. 2, 580SM, 590, 590SL, 590SL Ser 2, 590SM	1	39

<b>DRESSER TRANSMISSION PUMP</b>				
625000C91	Pump	TD7, TD7C, TD7E, TD8, TD8C, TD8E (to s/n 9500 on E models) 100, 100C, 100E, 125, 125C, 125E, (to s/n 9500 on E models)	1	17

<b>CASE 580, 580B</b>				
A51166R	Shuttle Pack	Twin Disc	1	42
A38133R	Shuttle Pack	Rockford	1	34

<b>CASE 480C, 480D, 480E, 580C, 580D, 580E, 580K s/n -JIG0020000, 584E, 585E, 586E</b>				
103293A1R	Torque Converter	Cores marked with SR, SN, or TG will not receive core credit	1	30
D75694R	Shuttle Assembly	480C, 480D, 480E, 580C, 580D, 580E	1	117
D102905R	Shuttle Assembly	580K	1	117
574136	Rebuild Kit	Shuttle	1	10
D103219	Disc Kit	Shuttle	1	5.5

<b>CASE W11, W11B, W14, W20, W20B</b>				
L35003	Free Wheel Clutch Kit		1	9.3
N7770	Charge Pump		1	23

<b>JOHN DEERE SHUTTLES AND MANIFOLDS</b>				
PV231R	Shuttle Pack	450	1	60
AT104145R	Shuttle Pack	450B, 450C, 450D, 450E, 455D, 455E	1	71
AR30480R	Manifold	450, Marked R32696 (R&R Only)	1	7.7
AR56620R	Manifold	450B, 450C, 450D, 450E, 455D, 455E, Marked R52036	1	7.7
AT163729R	Shuttle Assembly	210C, 310C, 315C, 482C	1	120
574136	Rebuild Kit	210C, 210D, 310C, 310D, 315C, 482C	1	10
AT100842R	Torque Converter		1	30

<b>JOHN DEERE 550, 550B to s/n 719977, 555, 555B to s/n 720212</b>				
PV233R	Transmission Assembly		1	675
PV232R	Torque Converter	R&R Only	1	53

<b>JOHN DEERE 444, 444B, 444C, 544, 544B, 544C</b>				
AT72878	Charge Pump		1	23

<b>JOHN DEERE 450H, 550H, 650H, 700H, 750C s/n 875379-, 850C s/n 875379-, 750C-II s/n 883332-, 850C-II s/n 883332-</b>				
--	--	--	--	--

AT360573	Wheel Speed Sensor		2	0.2
AT220775	Pressure Control Pilot Valve	450H, 550H, 650H, 700H Only	1	1.8

<b>JOHN DEERE 450J, 550J, 550K s/n -E275227, 605C, 605K, 650J, 650K s/n -E275533, 655K s/n -E339325, 700J, 700K s/n -E270478, 750J, 750K s/n -E270478, 755K s/n -E339325, 850J, 850K s/n -E271265</b>				
---	--	--	--	--

AT360574	Wheel Speed Sensor		2	0.2
----------	--------------------	--	---	-----

<b>JOHN DEERE 450K, 550K, 650K, 700K, 700L, 700P, 750K, 750L, 750P, 850K, 850L, 850P, 950K, 950P, 1050K, 1050P, 655K, 755K, 622G, 622P, 672G, 672P, 772G, 772P, 872G</b>				
--	--	--	--	--

AT416949	Wheel Speed Sensor		2	0.2
----------	--------------------	--	---	-----

**TRANSMISSION DISCS**

**CASE & DRESSER**



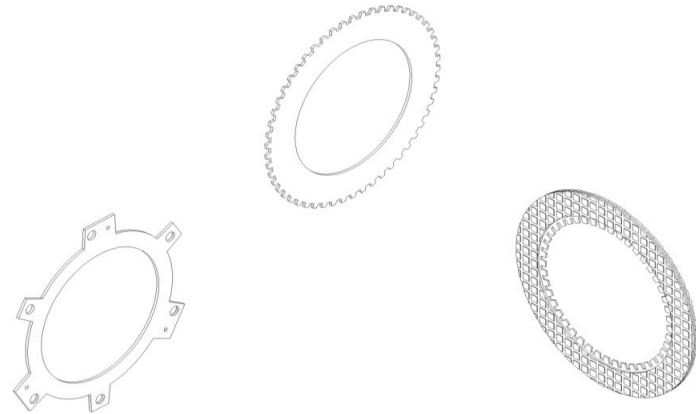
Part No.	Description	Notes	Qty.	Wt.
<b>CASE 480, 580, 580B</b>				
A41355	Metallic Disc	Rockford	10	0.1
A41005	Steel Disc	Rockford	10	0.2
<b>CASE 350, 350B, 480C, 480D, 480E, 480F, 580C, 580D, 580E, 580K to s/n JIG0020000</b>				
D70672	Metallic Disc	480C, 480D, 480E, 580C, 580D, 580E, 580K s/n -JIG0020000	7	0.05
D50082	Metallic Disc	350, 350B	7	0.1
D50083	Steel Disc		6	0.2
<b>CASE 570LXT, 580L, 580SL, 580M, 580SM, 590SL, 590SM</b>				
181158A1	Metallic Disc		12	0.15
181159A1	Steel Disc		14-16	0.3
<b>CASE 450, 450B, 455B, 450C, 455C, 550, 850B, 850C, 850D, 855C, 855D, 1150B, 1150C, 1150D, 1150E, 1150G, 1150H, 1155D, 1155E</b>				
G102354	Metallic Disc	Also Fits 550E, 550G, 550H, 650G, 650H, 750H, 850E, 850G, 850H	24	1.05
G101711	Steel Disc		24	0.8
<b>CASE 550E, 550G, 550H, 650G, 850E, 855E, 850G, 580K after s/n JIG0020000, 580SK, 590</b>				
A188946	Metallic Disc		22-24	0.1
A175806	Steel Disc		22-24	0.3
<b>CASE 1150B, 1150C, 1150D, 1155D, 1150E, 1150G, 1150H, 1155E, 1450, 1450B, 1455B</b>				
A50631	Steel Disc		10	0.4
<b>CASE W11B, W14B, W14C, 680H, 680L, 780B, 780C, 780D</b>				
N7219	Metallic Disc		8	0.1
N7217	Metallic Disc		28	0.2
<b>CASE W7, W8B, W8C, 780</b>				
A17921	Steel Disc		20	0.2
103310A1	Steel Disc		20	0.2
<b>CASE W36, 780, 621</b>				
D77063	Metallic Disc		30	0.3
<b>DRESSER 100C, 125C, TD7C, TD8C, (100E, 125E, TD7E, TD8E, to s/n 9500)</b>				
324241R1	Steel Disc		37-47	0.2
324240R1	Metallic Disc		42-52	0.1
675667R1	Metallic Disc		42-52	0.1
187109H1	Metallic Disc		42-52	0.1
702959C1	Metallic Disc		42-52	0.1
<b>DRESSER TD7G, TD8G, (100E, 125E, TD7E, TD8E, after s/n 9501)</b>				
716719C1	Steel Disc		29	0.1
709777C1	Metallic Disc		34	0.1

J20

2026 Parts Catalog

**TRANSMISSION DISCS**

**CAT**



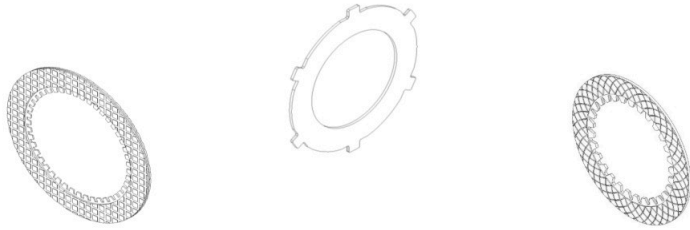
Part No.	Description	Notes	Qty.	Wt.
<b>CAT D3, D3C, D4C, D5C</b>				
6Y7934	Metallic Disc		UAR	0.1
6Y7935	Metallic Disc		UAR	0.1
9P6903	Steel Disc		UAR	0.3
9P7101	Steel Disc		UAR	0.9
<b>CAT 416, 416C, 416E, 420D, 420E, 420F, 420F2, 430E, 430F, 430F2 LOADER BACKHOE 924K, 926M, 930K, 930M, 938K, 938M WHEEL LOADER</b>				
274-4553	Transmission Disc, Steel		UAR	0.2
6Y7929	Transmission Disc, Friction		UAR	0.1
<b>CAT 414E, 415, 415F2, 416, 416D, 416E, 416F, 416F2, 420, 420D, 420E, 420F, 420F2, 420XE, 422E, 422F, 424D, 426F2, 427F2, 428, 428D, 428E, 428F, 428F2, 430, 430D, 430E, 430F, 430F2, 432, 432D, 432E, 432F, 432F2, 434, 434F, 434F2, 436C, 440, 442D, 442E, 444F, 450, 450E, 450F, 438D, 424 434E</b>				
274-4553	Clutch Disc, Steel		UAR	0.2
337-3530	Clutch Disc, Friction		UAR	0.1
<b>CAT 415, 415F2, 416, 416F2, 420, 420F2, 424, 426F2, 427F2, 428, 428F2, 430F2, 432F2, 434, 434F2</b>				
443-3302	Clutch Disc, Steel		UAR	0.2
467-3151	Clutch Disc, Friction		UAR	0.1

J21

2026 Parts Catalog

## TRANSMISSION DISCS

## JOHN DEERE



Part No.	Description	Notes	Qty.	Wt.
<b>JOHN DEERE 1010, 350, 350B, 350C, 350D</b>				
T15801	Metallic Disc		12	0.4
<b>JOHN DEERE 550, 550B, 555, 555B</b>				
T44805	Metallic Disc		32	0.4
T44804	Steel Disc		27	0.3
<b>JOHN DEERE 400G, 450, 450B, 450C, 450D, 455D, 450E, 455E</b>				
R57345	Steel Disc		15	0.5
R31404	Metallic Disc		12	0.5
<b>JOHN DEERE 400G, 450E, 455E, 450G, 455G, 550G, 555G, 650G, DOZER, 410D, 510, 510D, 710C, 710D, 440A, 440B, 540B, 540D, 548D, 640, 640D, 500, 500B, 500C</b>				
R80813	Steel Disc		UAR	0.6
<b>JOHN DEERE 450G, 455G, 550G, 555G, 650G</b>				
AT117908	Clutch Disc, Friction		UAR	0.5
<b>JOHN DEERE 310, 310A, 310B, 410, 410B, 410C, 500A, 500B, 500C, 510B, 510C, 610B, 610C, 710B, 710C, 540A, 540B, 540D, 548D, 660D, 740, 740A, 848G</b>				
AR94516	Metallic Disc		UAR	0.5
<b>JOHN DEERE 210K, 210L, 310E, 310G, 310J, 310K, 310L, 310SE, 310SG, 310SJ, 310SK, 310SL, 315SE, 315SJ, 315SK, 315SL, 325SJ, 325SK, 325SL, 410E, 410J, 410K, 410L, 710D, 710G, 710J, 710K, 710L, 485E, 486E, 488E</b>				
T158801	Clutch Disc, Steel		UAR	0.2
T164626	Clutch Disc, Friction			0.1
<b>JOHN DEERE 210LE, 310E, 310SE, 310G, 310SG, 315SE, 315SG, 410E, 410G, 485E, 486E, 488E</b>				
AT179473	Clutch Disc, Friction		UAR	0.1
<b>JOHN DEERE 410C, 410D, 510C, 610B, 610C, 710B, 710C</b>				
RE23000	Metallic Disc		9	0.5
<b>JOHN DEERE 310J, 310SJ, 310K, 310SK, 310L, 310SL, 410J, 410K, 410L</b>				
AT339922	Clutch Disc		UAR	0.08
T229406	Plate, Steel		UAR	0.2

J22

2026 Parts Catalog

## TRANSMISSION DISCS

## JOHN DEERE

Part No.	Description	Notes	Qty.	Wt.
<b>JOHN DEERE 544E, 624E, 624G, 544G, 644G</b>				
T116387	Clutch Disc, Friction		UAR	0.2
T116584	Clutch Disc, Steel		UAR	0.2
T116585	Clutch Disc, Steel		UAR	0.2
T116586	Clutch Disc, Steel		UAR	0.2

**JOHN DEERE 544E, 624E, 624G, 544G, 644E, 644G**

T122806	Clutch Disc, Friction		UAR	0.4
T116981	Clutch Disc, Steel		UAR	0.4
T152734	Clutch Disc, Steel	644G Only	UAR	0.6

**JOHN DEERE 624 P, 624H, 624J, 624K, 624K-II, 624L, 644G, 644 G, 644 P, 644H, 644J, 644K, 644L, 640L, 640L-II, 648L, 648L-II, 724 P, 724J, 724K, 724L, 748L, 748L-II, 768L-II, 848L, 848L-II, 948L, 948L-II**

T173840	Clutch Disc, Friction		UAR	0.2
T173841	Clutch Disc, Friction		UAR	0.2
T173842	Clutch Disc, Steel		UAR	0.4

**JOHN DEERE 444 G, 444 P, 444H, 444J s/n 611275-, 444K, 444L, 524 P, 524K, 524K-II, 524L, 544 G, 544 P, 544H, 544J, 544K, 544K-II, 544L, 624 P, 624H, 624J, 624K, 624K-II, 624L, 644 G, 644 P, 644H, 644J, 644K, 644L, 724 P, 724J, 724K, 724L**

T173636	Clutch Disc, Friction		UAR	0.2
T173637	Clutch Disc, Friction		UAR	0.2
T173638	Clutch Disc, Steel		UAR	0.4

**JOHN DEERE 444G, 444 G, 444 P, 444H, 444J S/N 611275-, 444K, 444L, 524 P, 524K, 524K-II, 524L, 544 G, 544 P, 544H, 544J, 544K, 544K-II, 544L, 640L, 640L-II, 648L, 648L-II, 748L, 748L-II, 768L-II, 848L, 848L-II, 948L, 948L-II**

T173640	Clutch Disc, Friction		UAR	0.2
T173641	Clutch Disc, Steel		UAR	0.2
T173642	Clutch Disc, Steel		UAR	0.2

J23

2026 Parts Catalog

# VISIT PVE FOR ALL YOUR CONSTRUCTION SEAT NEEDS

PREMIUM & ECONOMY OPTIONS

LEARN MORE

CASE - CAT - DEERE - DRESSER  
DOZER, BACKHOE, & EXCAVATOR MODELS



(330) 674-0081

PAINTVALLEYEQUIPMENT.COM



SECTION K  
EXHAUST PARTS, RADIATORS,  
WATER PUMPS, MISC. HARDWARE



www.paintvalleyequipment.com

Phone: 877-774-0081

## Exhaust Components

Fans

Misc. Hardware

Radiators

Seats

Starters

Water Pumps

Section K

**SECTION K**  
**EXHAUST PARTS, RADIATORS, WATER PUMPS, MISC. HARDWARE**

	Page
<b>EXHAUST PARTS</b>	
MUFFLERS	K1
EXHAUST PIPES	K1
EXHAUST MANIFOLDS	K1
<b>Fuel Pumps</b>	K2
<b>WATER PUMPS</b>	
CASE	K2
DRESSER	K2
JOHN DEERE	K2
<b>RADIATORS</b>	
CASE	K3
JOHN DEERE	K3
<b>FANS</b>	K3
<b>STARTERS</b>	K3-K4
<b>SEATS</b>	
CASE	K5, K6
DRESSER	K7
JOHN DEERE	K7, K8
KOMATSU	K7
<b>HYDRAULIC TANK</b>	
CASE	K9
<b>MISC.</b>	
SELF-ALIGNING BUSHINGS	K10
WELD ON BOSSES	K10
PRE-CLEANER BOWLS	K10
WASHERS	K11
SNAP RINGS	K11
CUSTOM CHROME RODS	K11
STEEL PIN SHIMS BY SIZE	K12
POLY PIN SHIMS BY SIZE	K12
PIN SEALS BY SIZE	K12
SPLIT TYPE O-RINGS BY SIZE	K12
<b>ELECTRICAL/SENSORS</b>	
CASE	K13
CAT	K13-K15
JOHN DEERE	K13

**Section K**

**EXHAUST PARTS** **BOBCAT, CASE, CAT, & JOHN DEERE**

Part No.	Description	Notes	Qty.	Wt.
<b>CASE MUFFLERS/PIPES</b>				
A172489	Muffler	450C, 455C, 550, 550E, 550G, spark arrester	1	16
D35766	Muffler	1150 to s/n 7110299, 750 after s/n 7070351, 850 to s/n 7073468	1	15
D47767	Muffler	850 after s/n 7073469, 1150 after s/n 7110300	1	21
A39561	Muffler	480B, 480C, 480D, 580B, 580C, 580D, 580SD, 584C, 584D, 585C, 585D, 586C,	1	14
A173180	Muffler	480E, 480F, 580E, 580SE, 584E, 585E, 585G, 586E, 586G, 588G	1	13
192381A1	Pipe Kit	850E, 855E, 850G, Pipe Kit	1	19
R35239	Exhaust Pipe	1150B, 1150C, turbo machines	1	1.5
R50400	Exhaust Pipe	850D, 850E, 855D, 855E	1	3
<b>JOHN DEERE MUFFLERS/PIPES</b>				
AT166078	Muffler	450G, 455G, 550G, 555G, 650G, s/n -840460 (with turbo)	1	20
AT180534	Muffler	450G, 455G, 550G, 555G, 650G, s/n 840461- (with turbo)	1	20
AT220299	Muffler	550H, 650H, (450J, 550J, 650J - s/n -159986) , 230LCR, 230LCRD	1	18
AT47110	Muffler	344G, 444G, 450D, 455D, 450E w/ turbo, 455E w/ turbo, 550, 555 s/n 233402-, 550A, 555A, 550B, 555B	1	16
AT83613	Muffler	210C s/n 785885-, 300D, 310C, 310D, 315C, 315D, 400G, 410B, 410C, 410D, 415B, 450E, 450G, 455E, 455G, 510B, 550G, 555G, 650G, machines without turbos	1	18
AT165556	Muffler	540E, 540G, 640E, 640G, 548E, 548G, 648E, 648G	1	14
AT332273	Muffler	540G-II, 540G-III, 540H, 548G-II, 548G-III, 548H, 640G-II, 640G-III, 640H, 648G-II, 648G-III, 648H, 748G-II, 748G-III, 748H, 848H	1	14
T35879	Exhaust Pipe	444, 544, 544A, 544B, 450D, 455D, 450E, 455E, 550, 555 s/n 233402-, 550A, 555A, 550B, 555B, 570, 570A, 570B	1	4
T144337	Exhaust Pipe	450G, 455G, 550G, 555G, 650G	1	12
AT307928	Muffler	444J s/n -611274, 544J, 524K, 524 P, 544K, 624J, 624K, 624 P, 644J s/n 611232-, 644K, 644 P	1	22
<b>CASE EXHAUST MANIFOLDS</b>				
G46853	Gasket	Manifold to exhaust & plate	2	0.1
<b>BOBCAT MUFFLERS/PIPES (check for applicable serial number breaks prior to ordering)</b>				
6683915	Muffler	S150, S160, S175, S185, S205, T180, T190	1	17
6676728	Muffler	773, S150, S160, S175, S185, T190	1	17
7100840	Muffler	751, 753, 763, 773, 7753, S130, S150, S160, S175, S185, T140	1	20
7137824	Muffler	S130, S150, S175, S185, T140	1	21
6514737	Muffler	642, 643, 742, 743	1	11
6687887	Muffler	S220, S250, T250, T300, T320, A300	1	15
6701151	Exhaust Pipe	751, 753, 763, 773, 7753, S130, S150, S160, S175, S185, T140	1	3
6569624	Exhaust Pipe	643, 645, 743	1	2.6
7107449	Exhaust Pipe	S160, S175, S185	1	2.8
<b>CAT EXHAUST PIPES</b>				
342-9795	Exhaust Pipe	D3K2, D4K2, D5K2	1	7.0

**K1**

**WATER PUMPS CASE, JOHN DEERE, & DRESSER**

Part No.	Description	Notes	Qty.	Wt.
<b>CASE WATER PUMPS</b>				
199352A1	Water Pump	680G, 680H, 850, 850B, 850C, 880C, 1080, 1080B, 1150B, 1150C, 1150D, 1450, 1450B, W7, W14, W18, W18B, W24C, W30, 301, 336, 451, 504 Engine, with 4 1/2" Impeller	1	8
A34009	Water Pump	750 after s/n 7070351, 850 to s/n 7073468, 1150 to s/n 7110299, 680CK	1	15
A77471	Water Pump	Cummins (4 & 6 Cyl. Engine, TD7G-H-TD8G-H-100G-125G) 450C, 550, 550E, 550G, 580E, 580K, 590SL, 680H, 680K, 680L, 650, 680G, 850D, 850E, 850G, 1150E, 1150G, W11B, W14B	1	6
A146584	Water Pump	188, 207, 350, 350B, 450, 450B, 530, 580, 580B, 580C, 580D, 1835, 1845B, W11	1	5
A157143	Water Pump	301, 401, with 3 5/8" Impeller	1	7.3
J802975	Water Pump	721, 721B, 1155, 1150E, 1155E, 1550, 9040, 721, 721B, 721C	1	9
90380503	Water Pump	1850K Tier 1, 821B, 821C s/n -JEE0155000, 9045B	1	8.2
J802358	Water Pump	850G, 580L, 580SL s/n -JG0239361, 590L, 590SL, 570LXT, 584E, 585E, 586E, 85XT, 90XT, 95XT, 9010B, 9020B	1	5.2
<b>JOHN DEERE WATER PUMPS</b>				
AM3060T	Water Pump	40, 420, 430, 440 (Gas)	1	13
AR65917	Water Pump	550, 550A, 550B, 555, 555A, 555B	1	38
AR65965	Water Pump	544B	1	46
AR71133	Water Pump	4276 engines, Marked R59049	1	23
RE21177	Water Pump	450E, 455E	1	23
RE25043	Water Pump	210C, 310A, 310B, 350, 350B, 350C, 400G, 401B, 401C, 401D, 410, 440, 440A, 440B, 450, 450B, 450C, 450D, 455D, 480C, JD480A, JD480B	1	22
T23628	Pulley	For AR71133, RE21177, RE25043 Water Pumps	1	4
RE505980	Water Pump	110, 120, 120C, 160CLC, 200CLC, 200LC, 230CLC, 230LC, 230LCR, 230LRD, 270LC, 270CLC, 540G-III, 548G-III, 624J, 640G-III, 648G-III, 670C, 670CH, 670D, 672CH, 672D, 690ELC, 450J s/n 159987-, 700H, 700J	1	9
RE546917	Water Pump	450G, 455G, 450H, 450J s/n -159986, 550G, 555G, 550H, 550J s/n -159986, 605C, 650H, 650J s/n -159986, 700H, 700J, 750C s/n -883331, 850C s/n -883331, 750J s/n -141343, 850J s/n -141343, 324H, 344H, 344J, 444H, 444J s/n -611274, 544H, 544J s/n -611799, 624, 210LE, 310E, 310SE, 310G, 310SG, 310J, 310SJ, 310K, 310SK, 310L, 310SL, 310 P, 315SE, 315SG, 315SJ, 315SK, 315SL, 315 P, 320 P, 325K, 325SK, 325SL, 410E, 410G, 410J, 410K, 410L, 410 P	1	7.2
RE545573	Water Pump	304J, 324J, 326D, 328, 328D, 329D, 332, 332D, 333D, CT332	1	4.6
<b>DRESSER WATER PUMP</b>				
3132741R93	Water Pump	TD7, TD7C, TD7E, TD8, TD8C, TD8E, 100, 100C, 100E, 125, 125C, 125E	1	12
<b>CASE FUEL PUMPS (check for applicable models and serial number breaks prior to ordering)</b>				
504380241	Fuel Pump	580M Ser.2, 580SM Ser.2, 580SM Ser.3, 580N Tier 3, 580SN WT	1	1.2
3933254	Fuel Pump	550H, 650H, 650K, 750H, 750K, 850K	1	
84142216	Fuel Pump	550E, 855D, 9020, 621, W11B, 580K, 580SK	1	1.0
87473337	Fuel Pump	570MXT, 580M, 580SM, 590SM, 585G, 586G, 588G, 60XT, 70XT	1	
<b>JOHN DEERE FUEL PUMPS (check for applicable models and serial number breaks prior to ordering)</b>				
DZ120070	Fuel Pump	310J, 310SJ, 310K, 310SK, 310SL, 315SJ, 315SK, 315SL, 325K, 325SK	1	1.2
RE42211	Fuel Pump	350, 350B, 350C, 400G, 450, 450B, 450C, 450D, 450G, 550, 550B, 550G	1	1.2
RE66153	Fuel Pump	450G, 550G, 450H, 450J, 550H, 550J, 650H, 650J, 700H, 700J, 750C	1	1.2

K2

2026 Parts Catalog

**RADIATORS, STARTERS, & FANS CASE & JOHN DEERE**

Part No.	Description	Notes	Qty.	Wt.
<b>CASE RADIATORS</b>				
A39344	Radiator	580B Standard Shift, without oil cooler	1	29
A39345	Radiator	580B Power Shift, with oil cooler	1	29
D89103	Radiator	580C	1	30
D89104	Radiator	480C	1	30
A171080	Radiator	480E, 580E	1	35
A172038	Radiator	580K, 580SK	1	30
234876A1	Radiator	570LXT, 580L, 580SL, 590SL, 584E	1	30
301877A2	Radiator	1840, 1845C (Skid Steer)	1	34
237992A3	Radiator	75XT, 85XT, 90XT, 95XT (Skid Steer)	1	42
239739A2	Radiator	570LXT, 570MXT, 580L, 580SL, 580SL-II, 590SL, 580M, 580SM, 590SM, 5 Row Heavy Duty	1	33
<b>CASE STARTERS</b>				
116930A1	Starter	350, 450-B, 480, 580CD, W11, 1845 (Nippendenso)	1	18
1987559C1	Starter	480E, 590, 450C, 580EKS, 455C, 650, W11B	1	19
1987566C1	Starter	621, 850DEG, 855E, 1150EG, 1155E, 9010-20-30B	1	24
<b>CASE FANS</b>				
R27703	Fan	1150B, 1150C, puller type	1	19
A173110	Fan	1150B, 1150C, 1150D, 1155D, pusher type	1	15
<b>JOHN DEERE ENGINE OIL PUMP</b>				
AR79463	Engine Oil Pump	340D after s/n 100001, 344E to s/n 427006, 440C, 440D after s/n 100001, 444E, 550G, 555G, 650G after s/n 427006, 490, 490E, 540B w/turbo, 540D, 548D, 540E & 548E to s/n 383839, 550, 550A, 555A, 550B, 555B	1	9
<b>JOHN DEERE RADIATORS</b>				
AT167021	Radiator	300D, 310C, 310D, 315D	1	39
AT169770	Radiator	410B, 410C, 410D, 510B, 510C, 510D, 610B, 610C	1	49
AR65715	Radiator	300, 301-A, 302, 302-A, 401B, 401C without Oil Cooler	1	24

K3

2026 Parts Catalog

**STARTERS**

**JOHN DEERE**

Part Number	Machine Model	Machine Serial	Engine Model	Engine Serial	Qty.	Wt.
<b>JOHN DEERE DOZERS</b>						
TY25961	450G, 550G, 650G			-317121	1	39
RE70960	450G, 550G, 650G			317122-	1	24
RE501298	450H, 550H, 650H				1	24
	450J, 550J, 650J			-159986	1	
RE529661	450J, 550J, 650J	159987-			1	25
<b>JOHN DEERE CRAWLER LOADERS</b>						
TY25961	455G, 555G			-317121	1	39
RE70960	455G, 555G			317122-	1	24
<b>JOHN DEERE EXCAVATORS</b>						
RE506105	230LCR, 230LCRD		4045TT050		1	25
	350DLC	805001-	6090HT002		1	
	350GLC	808001-	6090HT002		1	
<b>JOHN DEERE LOADER BACKHOES</b>						
TY25961	410C, 510C, 610C, 710B, 710C			-317121	1	39
RE70960	410C, 510C, 610C			317122-	1	24
	410D, 510D				1	
	710D			-814064	1	
RE506105	310E, 310SE, 315SE, 410E				1	25
	310G, 310SG, 315SG		4045DT056, 4045TT080		1	
	310G, 310SG, 315SG		4045DT058	257522-	1	
	310G, 310SG, 315SG		4045TT081	-908991	1	
	310G, 310SG, 315SG		4045TT088, 4045TT089		1	
	410G		4045TT082	-894288	1	
	310J, 310SJ, 315SJ, 325J, 410J, 710J				1	
	310G, 310SG, 315SG		4045TT088	268962-	1	
	410G		4045TT082	894288-	1	
<b>JOHN DEERE WHEEL LOADERS</b>						
RE70960	344E, 444E	417317-			1	24
	324H, 344H		4045DF153, 4045TF273		1	
	324H, 344H		4045TF152	-799999	1	
	344J		4045TF273		1	
RE529661	344J		4045HT281		1	25
<b>JOHN DEERE LOG SKIDDERS</b>						
RE70960	440D, 448D, 540D, 548D					24
	540E, 548E		4045TDW03	-383839	1	
	540E, 548E		4045TDW06	396258-	1	
RE506105	460D, 560D	-604613			1	25
	540G, 640G, 648G	-565684			1	
	740G, 748G	-565684			1	
RE501298	640G-III, 648G-III	604614-			1	24
	640H, 648H, 748H,	-630435			1	

K4

2026 Parts Catalog

**SEATS, BACKS, & ARM RESTS**

**CASE**



PV812

PV813

Part No.	Description	Notes	Qty.	Wt.
<b>CASE 310G, 350B</b>				
PV800	Seat Assembly		1	14
D44386	Seat		1	5
D44169	Back		1	5
PV801	Arm Rests, Pair		1	4
<b>CASE 450, 850, 1150</b>				
PV802	Seat Assembly		1	15
D35226	Seat		1	6
D44169	Back		1	5
R40342	Arm Rests, Pair		1	4
<b>CASE 450B</b>				
PV810	Seat Assembly		1	15
R48423	Seat		1	5
D44169	Back		1	5
R39322	Arm Rests, Pair		1	4
<b>CASE 450C, 455C, 550 (Non Suspension Style)</b>				
PV813	Seat Assembly		1	15
R48423	Seat		1	5
R27596	Back		1	5
R39322	Arm Rests, Pair		1	4
<b>CASE 850B, 850C, 1150B, 1150C (Non Suspension Style)</b>				
PV812	Seat Assembly		1	17
R39323	Seat		1	8
R27596	Back		1	5
R39322	Arm Rests, Pair		1	4

K5

2026 Parts Catalog

SEATS, BACKS, & ARM RESTS

CASE



175764A1

185158A2

87344650-E

Part No.	Description	Notes	Qty.	Wt.
<b>CASE 550G, 650G, 850G, 1150G</b>				
175764A1	Seat Assembly, Vinyl		1	73
175764A1-E	Economy Seat Assembly, Vinyl			75
D150377	2" Retractable Seat Belt		1	2
194738A1	Arm Rest Pair w/o Steel Bracket	Also Fits 550E, 850E	2	5
<b>CASE 550H, 650H, 650K, 650L, 750H, 750K, 750L, 850H, 850K, 850L, 1150H, 1150K, 1650L</b>				
359121A1	Seat Assembly w/ Headrest, Vinyl		1	81
359121A1-E	Seat Assembly w/ Headrest, Vinyl			78
D150377	2" Retractable Seat Belt		1	2
194738A1	Arm Rest Pair w/o Steel Bracket	"H" Series Only	2	5
<b>CASE 650L, 750L, 850L, 1150K, 1650L</b>				
87451469	Seat Assembly w/ Headrest, Cloth		1	81
87451469-E	Economy Seat Assembly w/ Headrest, Vinyl		1	78
D150377	2" Retractable Seat Belt		1	2
<b>CASE 570LXT, 580K, 580SK, 580L, 580SL, 580M, 580SM, 580SM+, 580N, 580SN, 590L, 590SL, 590M, 590SM, 590SN</b>				
185158A2	Seat Assembly w/ Arms, Cloth		1	107
185158A2-E	Economy Seat Assembly w/ Arms, Cloth		1	107
185156A1	Seat Assembly w/ Arms, Vinyl		1	107
185156A1-E	Economy Seat Assembly w/ Arms, Vinyl		1	107
D150377	2" Retractable Seat Belt		1	2
87408888	3" Retractable Seat Belt		1	3
<b>CASE CX130, CX130B, CX130C, CX160, CX160B, CX160C, CX210, CX210B, CX210C, CX240, CX240B, CX290</b>				
87344650	Seat Assembly w/ Arms & Headrest, Cloth		1	98
87344650-E	Economy Seat Assembly w/ Arms & Headrest, Vinyl		1	78
87706012	3" Retractable Seat Belt		1	3

K6

2026 Parts Catalog

SEATS, BACKS, & ARM RESTS

KOMATSU, DRESSER, JOHN DEERE



PV834

12Y-57-11500

Part No.	Description	Notes	Qty.	Wt.
<b>DRESSER TD7C, TD7E, TD8C, TD8E, 100C, 100E, 125C, 125E</b>				
PV862	Seat Assembly		1	17
621619C1	Seat		1	9
621620C1	Back		1	6
621621-22C1	Arm Rests, Pair	Flat only, 90 degree not available	1	2
<b>KOMATSU D31EX-22, D31PX-22, D37EX-22, D37PX-22, D39EX-22, D39PX-22, D51EX-22, D51PX-22</b>				
12Y-57-11500	Seat Assembly, Cloth	High back cloth seat	1	92
<b>KOMATSU D31EX-21, D31PX-21, D39EX-21, D39PX-21, D39EX-22, D61EX-12, D61PX-12, D61EX-15, D61PX-15, D65E-12, D65EX-12</b>				
134-57-61200	Seat Assembly, Cloth	Mid back cloth seat	1	73
<b>KOMATSU D31EX-22, D31PX-22, D37EX-22, D37PX-22, D39EX-22, D39PX-22, D51EX-22, D51PX-22</b>				
12Y-57-11190	Seat Assembly, Vinyl	Mid back vinyl seat	1	73
<b>KOMATSU D31EX-21, D31PX-21, D37EX-21, D37PX-21, D39EX-21, D39PX-21, D61EX-12, D61PX-12, D61EX-15, D61PX-15, D65EX-12, D65PX-12, D65EX-15, D65PX-15</b>				
134-57-61300	Seat Assembly, Vinyl	Mid back vinyl seat	1	73
<b>JOHN DEERE 440, 1010, 2010</b>				
AT10140	Arm Rests, Pair		1	3
<b>JOHN DEERE 350, 350B, 350C, 450, 450B, 450C, 450D, 550, 555</b>				
PV834	Seat Assembly		1	13
AT23482	Seat		1	6
AT18697	Back		1	4
AT18698-99	Arm Rests, Pair	90 degree	1	4
<b>JOHN DEERE 350D, 400G, 450E, 455E, 550B, 555B, 450G, 455G, 550G, 555G, 650G</b>				
AT105140	Seat Assembly	Seat & Back, 350D, 400G, 450E, 455E, 550B, 555B	1	29
AT104453	Arm Rests, Pair	90 degree	1	4
AT359296	Arm Rest, Pair	"G" Series Only w/ Suspension Seats	2	3.6

K7

2026 Parts Catalog

**SEATS, BACKS, & ARM RESTS**

**CAT, DRESSER, JOHN DEERE**

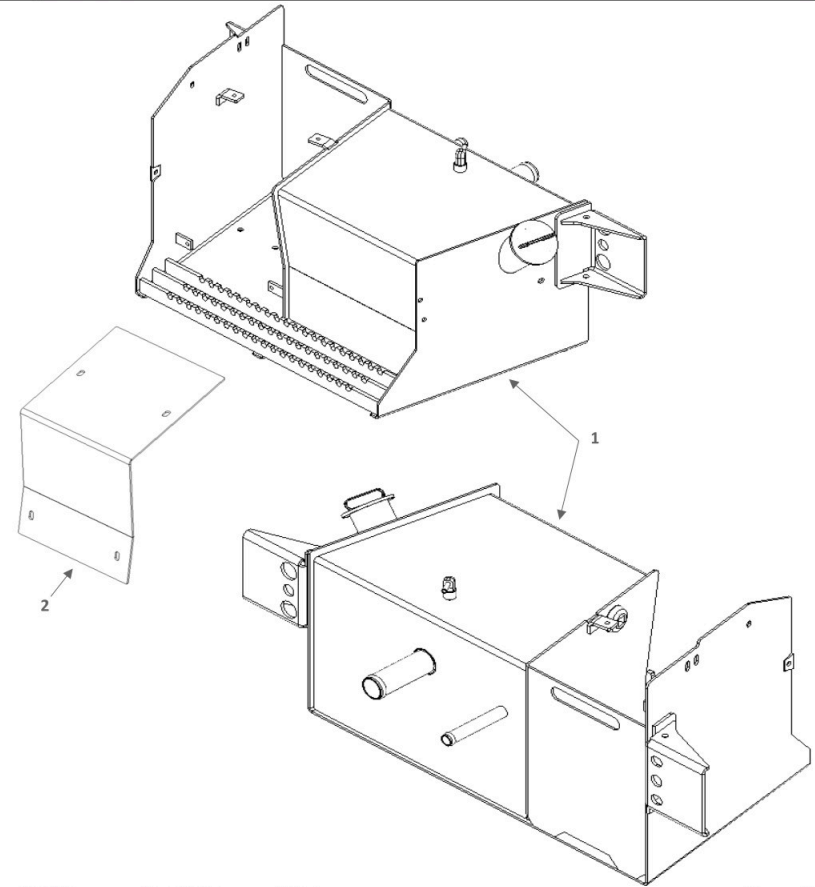
Part No.	Description	Notes	Qty.	Wt.
<b>JOHN DEERE 450G, 455G, 550G, 555G, 650G, 750B, 850B</b>				
AT68415	Seat Assembly, Vinyl		1	73
AT68415-E	Economy Seat Assembly, Vinyl		1	77
AT484894	2" Retractable Seat Belt		1	2
<b>JOHN DEERE 450H, 450J, 550H, 550J, 650H, 650J, 700H, 700J, 750C, 750H, 750J, 850C, 850J</b>				
AT424635	Seat Assembly w/ Headrest, Vinyl		1	79
AT424635-E	Economy Seat Assembly w/ Headrest, Vinyl		1	78
AT424636	Seat Assembly, Cloth, w/ Headrest		1	79
AT484894	2" Retractable Seat Belt		1	2
AT359296	Arm Rest Pair		2	3.6
<b>JOHN DEERE 310D, 310E, 310SE, 410D, 410E</b>				
AT175383	Seat Assembly w/ Arms, Vinyl		1	108
AT175384	Seat Assembly w/ Arms, Cloth		1	108
AT484894	2" Retractable Seat Belt		1	2
<b>JOHN DEERE 310G, 310SG, 310J, 310SJ, 315SG, 315SJ, 410G, 410J, 710G, 710J</b>				
AT407315	Seat Assembly w/ Arms, Vinyl		1	109
AT407315-E	Economy Seat Assembly w/ Arms, Vinyl		1	108
AT407317	Seat Assembly w/ Arms, Cloth		1	109
AT407317-E	Economy Seat Assembly w/ Arms, Cloth		1	108
AT484894	2" Retractable Seat Belt		1	2
<b>JOHN DEERE 310K, 310SK, 310L, 310SL, 315SL, 325K, 325SL, 410L, 710L</b>				
AT471523	Seat Assembly w/ Arms, Vinyl		1	109
AT471523-E	Economy Seat Assembly w/ Arms, Vinyl		1	108
AT471522	Seat Assembly w/ Arms, Cloth		1	109
AT471522-E	Economy Seat Assembly w/ Arms, Cloth		1	108
AT484894	2" Retractable Seat Belt		1	2
<b>JOHN DEERE 80C, 120C, 135C, 160C, 200C, 230C, 270C, 370C, 450C</b>				
4458290R	Seat Assembly w/ Arms & Headrest, Cloth		1	90
4458290R-E	Economy Seat Assembly w/ Arms & Headrest, Vinyl		1	78
4692386	3" Retractable Seat Belt		1	3
<b>JOHN DEERE 75D, 120D, 130G, 135D, 160D, 160G, 180G, 200D, 210G, 225D, 240D, 245G, 250G, 270D, 290G, 300G, 350D, 350G, 380G, 470G</b>				
FYA00009134	Seat Assembly w/ Headrest, Cloth		1	86
FYA00009134-E	Economy Seat Assembly, Vinyl w/ Headrest		1	78
4692386	3" Retractable Seat Belt		1	3
<b>CAT D3G, D4G, D5G, D6G2, D6N, D6R, D6T, D7G2, D7R, D8R, D9R, D9T</b>				
159-2950	Seat Assembly, Vinyl		1	76
159-2950-E	Economy Seat Assembly, Vinyl		1	78
160-7186	Seat Assembly, Cloth		1	76
<b>CAT 415F2, 416D, 416E, 416F, 416F2, 420D, 420E, 420F, 420F2, 422E, 424D, 428D, 428E, 430D, 430E, 430F, 430F2, 432D, 432E, 438D, 442D, 442E, 446D, 450E, 450F</b>				
206-1791	Seat Assembly w/ Arms, Vinyl		1	109
206-1791-E	Economy Seat Assembly w/ Arms, Vinyl		1	108
206-1796	Seat Assembly w/ Arms, Cloth		1	109
206-1796-E	Economy Seat Assembly w/ Arms, Cloth		1	108
190-8918	2" Retractable Seat Belt		1	2

K8

2026 Parts Catalog

**Hydraulic Tank**

**CASE**



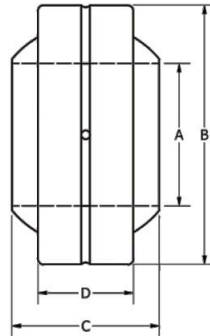
Part No.	Description	Notes	Qty.	Wt.
<b>CASE 570LXT, 580L, 580SL, 590SL (SERIES 1 ONLY)</b>				
1	130050A1	Hydraulic Tank	1	189
2	133020A1	Battery Cover	1	20
<b>CASE 570MXT, 580L Ser.2, 580SL Ser.2, 590SL Ser.2, 580M, 580SM, 585G, 586G, 588G</b>				
1	87429272	Hydraulic Tank	1	189
2	231656A1	Battery Cover	1	20

K9

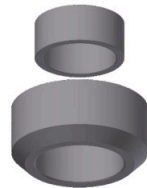
2026 Parts Catalog

**MISC. HARDWARE**

SELF-ALIGNING BUSHINGS				
Part No.	A	B	C	D
AH150341	50	75	35	28
AH155619	45	68	32	25
AT128773	50	75	35	28
AT128774	60	90	44	36
AT142307	70	105	49	40
AT157173	45	75	43	28
AT157174	50	90	56	36
AT157247	70	120	70	45
AT209365	1.770	3.563	2.204	1.420
B12L	.750	1.2500	.656	.562
B16LSS	1.000	1.6250	.875	.750
B20LSS	1.250	2.0000	1.093	.937
B22LSS	1.375	2.1875	1.187	1.031
B24LSS	1.500	2.4375	1.312	1.125
6V8105	1.50	2.812	1.529	1.309
B28LSS	1.750	2.8125	1.531	1.312
B32LSS	2.000	3.1875	1.750	1.500
B36LSS	2.250	3.5625	1.969	1.687
B40LSS	2.500	3.9375	2.187	1.875
R37021	2.500	4.3750	2.545	2.062
B44LSS	2.750	4.3750	2.406	2.062
R55698	2.750	4.7500	2.790	2.250
B48L	3.000	4.7500	2.625	2.250
R37037	3.250	5.5000	3.265	2.625



PRE-CLEANER BOWLS		
1M7250	Medium	10 1/2"
6H8021	Large	12"
8H2023	Small	7"



WELD-ON BOSS - W/ Hardened Bushing in Center			
Part No.	Descriptio	ID x OD	x Length
PVB1	Bushing	2" x 4"	x 1.600"
PVB2	Bushing	1 3/4" x 3"	x 1"
PVB3	Bushing	1 3/4" x 3 1/4"	x 1 1/2"
PVB4	Bushing	2" x 3 1/2"	x 1 1/2"
PVB5	Bushing	2" x 3 1/2"	x 2"
PVB6	Bushing	1 1/2" x 3"	x 3/4"
PVB7	Bushing	1 1/4" x 2 1/2"	x 3/4"
PVB8	Bushing	2 1/2" x 4 1/4"	x 1 1/2"

**CUSTOM PINS AND BUSHINGS - Made to your specifications**  
 Custom pins made to order ranging in size from 1" through 5.25" or 35mm to 130mm are available by speaking with our customer service team  
 Please allow 2-3 days lead time for machining prior to shipping  
 Custom pins are made from 4140 Q&T material unless otherwise requested

**MISC. HARDWARE**

Internal Snap Rings		
Part No.	Free O.D.	Thickness
100-21237	2.63	0.081
112504A1	0.93	0.039
299324A1	0.93	0.059
N1300-0244	2.70	0.081
N1300-0268	2.98	0.094
N1300-0275	3.05	0.094
N1300-0281	3.12	0.094
N1300-0300	3.33	0.094
N1300-0325	3.62	0.109
N1300-0354	3.92	0.109
N1300-0387	4.26	0.109
N1300-0393	4.36	0.109
N1300-0450	4.94	0.109
N1300-0475	5.21	0.109
N1300-0525	5.77	0.128

External Snap Rings - Inch		
Part No.	Free I.D.	Thickness
804X078	0.804	0.078
1150X093	1.150	0.093
800-1134	1.240	0.058
D25279	1.370	0.100
1380X109	1.380	0.109
103-16175	1.600	0.109
1618X109	1.618	0.109
A48041	1.630	0.067
D26919	1.840	0.127
1840X062	1.840	0.062
1964X078	1.964	0.078
1993X078	1.993	0.078
2255X078	2.255	0.078
2313X078	2.313	0.078
2377X078	2.377	0.078
2428X078	2.428	0.078
2543X093	2.543	0.093

External Snap Rings - Metric		
Part No.	Free I.D.	Thickness
M3650X250	36.50	2.50
M4150X250	41.50	2.50
M4580X300	45.80	3.00
M5080X300	50.80	3.00
M5580X300	55.80	3.00
M6550X250	65.50	2.50
M7350X250	73.50	2.50
M7450X250	74.50	2.50

CHROME RODS	
Standard	Metric
1 1/4"	40 mm
1 1/2"	45 mm
1 3/4"	50 mm
1 7/8"	55 mm
2"	56 mm
2 1/8"	60 mm
2 1/4"	63 mm
2 3/8"	65 mm
2 1/2"	70 mm
2 3/4"	80 mm
3"	85 mm
3 1/4"	90 mm
4"	

Chrome rods are cut to length.  
 Special machining and welding avail.

METRIC WASHERS		
Part No.	ID x OD	x Thickness
45MX250	1.780 x 2.532	x .250
50MX250	1.978 x 2.719	x .250
55MX375	2.173 x 3.175	x .375
60MX375	2.372 x 3.372	x .375
65MX375	2.568 x 3.549	x .375
70MX375	2.763 x 3.743	x .375
80MX375	3.160 x 4.160	x .375
90MX375	3.551 x 4.520	x .375
100MX375	3.939 x 5.197	x .375
65MX104	2.600 x 4.100	x .104
70MX104	2.800 x 4.300	x .104
80MX104	3.200 x 4.700	x .104
90MX104	3.600 x 5.100	x .104
100MX104	4.000 x 5.500	x .104
495-81226	1.770 x 2.500	x 0.135
495-81292	1.520 x 2.500	x 0.080
195-2155	2.200 x 2.900	x 0.080
30575	1.720 x 2.250	x 0.080
U11649	1.520 x 2.260	x .135
495-81282	2.200 x 3.000	x 0.135

**MISC. HARDWARE**

Steel Pin Shims			
Part No.	I.D.	Th. (mm)	Wt.
45X1ST	45	1.0	0.1
45X2ST	45	2.0	0.2
50X1ST	50	1.0	0.1
50X2ST	50	2.0	0.2
55X1ST	55	1.0	0.1
55X2ST	55	2.0	0.2
60X1ST	60	1.0	0.2
60X2ST	60	2.0	0.4
65X1ST	65	1.0	0.2
65X2ST	65	2.0	0.4
70X1ST	70	1.0	0.2
70X2ST	70	2.0	0.4
80X1ST	80	1.0	0.2
80X2ST	80	2.0	0.4
90X1ST	90	1.0	0.3
90X2ST	90	2.0	0.6
100X1ST	100	1.0	0.3
100X2ST	100	2.0	0.6

Poly Pin Shims			
Part No.	I.D. (mm)	Th. (mm)	Wt.
45X2TP	45	2.0	0.02
60X2TP	60	2.0	0.04
60X3TP	60	3.0	0.06
65X2TP	65	2.0	0.06
65X3TP	65	3.0	0.08
70X2TP	70	2.0	0.08
70X3TP	70	3.0	0.12
80X2TP	80	2.0	0.10
80X3TP	80	3.0	0.14
90X2TP	90	2.0	0.10
90X3TP	90	3.0	0.15
100X2TP	100	2.0	0.12
100X3TP	100	3.0	0.16
110X2TP	110	2.0	0.13
110X3TP	110	3.0	0.18

Split Type O-Rings For Excavators			
Part No.	I.D. (mm)	Th (mm)	Wt.
70X11OR	70	11.0	0.10
80X11OR	80	11.0	0.10
90X11OR	90	11.0	0.15
100X11OR	100	11.0	0.17
110X11OR	110	11.0	0.18
120X12OR	120	12.0	0.20

Pin Seals			
Part No.	I.D x O.D. (mm)	Th. (mm)	Wt.
40X50X4	45 x 50	4.0	0.01
40X55X4	40 x 55	4.0	0.02
40X55X6	40 x 55	6.0	0.03
45X55X4	40 x 55	4.0	0.03
45X55X6	45 x 55	6.0	0.04
45X60X4	45 x 60	4.0	0.04
45X60X6	45 x 60	6.0	0.04
50X60X4	50 x 60	4.0	0.05
50X65X4	50 x 65	4.0	0.05
60X75X4	60 x 75	4.0	0.10
60X75X6	60 x 75	6.0	0.05
65X80X4	65 x 80	4.0	0.06
65X80X6	65 x 80	6.0	0.06
70X85X4	70 x 85	4.0	0.07
70X85X6	70 x 85	6.0	0.08
70X85X8	70 x 85	8.0	0.09
4084578	71 x 86	5.0	0.10
75X90X4	75 x 90	4.0	0.10
75X90X6	75 x 90	6.0	0.10
75X90X8	75 x 90	8.0	0.10
80X95X4	80 x 95	4.0	0.10
80X95X6	80 x 95	6.0	0.12
80X95X8	80 x 95	8.0	0.12
85X100X4	85 x 100	4.0	0.13
85X100X6	85 x 100	6.0	0.14
85X100X8	85 x 100	8.0	0.14
90X105X4	90 x 105	4.0	0.14
90X105X6	90 x 105	6.0	0.15
90X105X8	90 x 105	8.0	0.15
100X115X4	100 x 115	4.0	0.15
100X115X6	100 x 115	6.0	0.17
100X115X8	100 x 115	8.0	0.18
110X130X6	110 x 130	6.0	0.18
110X130X8	110 x 130	8.0	0.19
110X130X10	110 x 130	10.0	0.19
120X140X8	120 x 140	8.0	0.20

**K12**

2026 Parts Catalog

**ELECTRICAL/SENSORS**

**CASE, CAT, JOHN DEERE**

Part No.	Description	Notes	Qty.	Wt.	
	<b>CASE 521G, 521G2, 621G, 621G2, 651G, 721G, 721G2, 821G, 821G2, 921G, 921G2, 1021G, 1021G2, 1121G, 1121G2</b>				
47700274	Angle Sensor		1	0.1	
	<b>CASE 570LXT, 570MXT, 570N, 570NXT, 580L, 580M, 580N, 580SL, 580SM, 580SN, 590L, 590SL, 590SM, 590SN, 585G, 586G, 586H, 588G, 588H</b>				
278328A1	FNR Selector Switch		1	0.8	
	<b>CASE 580N, 580SL-II, 580SM-II, 580SM-III, 580SN, 590SL-II, 590SM-II, 590SM-III, 580SN, 586H, 588H</b>				
84342285	FNR Lever, 4 Gears, 7 Pin		1	0.8	
	<b>JOHN DEERE 310G, 310SG, 315SG, 410G LOADER BACKHOE, 444G, 444J, 444K, 524 P, 524K, 544G, 544 P, 544J, 544K, 624 P, 624J, 624K, 644G, 644 P, 710G, 724 P, 724J, 724K, 744J, 744K, 824J, 824K, 844J, 944K WHEEL LOADER, 250D, 300D, 350D, 400D ART. DUMP TRUCK</b>				
RE261354	Angle Sensor		1	0.2	
	<b>JOHN DEERE 310E, 310L, 410 P, 310 P LOADER BACKHOE, 622 P, 724K WHEEL LOADER, 260 P, 260E, 310E, 310P, 370E, 410E, 410P, 460E, 460P ART. DUMP TRUCK 620G, 620P, 622G, 622P, 670D, 670G, 670P, 672G, 672P, 770D, 770G, 770GP, 770P, 772G, 772GP, 772P, 870D, 870G, 870GP, 870P, 872G, 872GP MOTOR GRADER</b>				
AT333680	Angle Sensor		1	0.2	
	<b>JOHN DEERE 470G, 470 P EXCAVATOR</b>				
AN306751	Rotation Sensor		1	0.2	
	<b>JOHN DEERE 450H, 550H, 650H, 700H, 750C s/n 875379-, 850C s/n 875379-, 750C-II s/n 883332-, 850C-II s/n 883332-</b>				
AT360573	Wheel Speed Sensor		2	0.2	
	<b>JOHN DEERE 450J, 550J, 550K s/n -E275227, 605C, 605K, 650J, 650K s/n -E275533, 655K s/n -E339325, 700J, 700K s/n -E270478, 750J, 750K s/n -E270478, 755K s/n -E339325, 850J, 850K s/n -E271265</b>				
AT360574	Wheel Speed Sensor		2	0.2	
	<b>JOHN DEERE 450K, 550K, 650K, 700K, 700L, 700P, 750K, 750L, 750P, 850K, 850L, 850P, 950K, 950P, 1050K, 1050P, 655K, 755K, 622G, 622P, 672G, 672P, 772G, 772P, 872G</b>				
AT416949	Wheel Speed Sensor		2	0.2	
	<b>CAT 416E, 420D (BLN, FDP, BKC, BMC), 420E (DAN, DJL, HLS, KMW, PHC, PRA), 422E (HBE), 424B (JRC), 424D, 428D, 428E (SNL), 430D, 430E, 432D, 432E (BXE), 434E (FSH), 438D, 442D, 442E (GKZ), 444E (LBE)</b>				
261-2207	Transmission Controller		1	2.0	
	<b>CAT 416C, 416D (BGI), 420D, 420E, 424D (BGP, BKR), 426C, 428C, 428D, 430D, 430E, 432D, 432E (BXE), 434E (FSH), 436C, 438C, 438D, 442D, 442E (GKZ), 444E (LBE), 446B (SBL), 446D (DBL)</b>				
261-2208	Transmission Controller		1	2.2	
	<b>CAT 416C, 426C, 428C (BRN), 436C (1FR, 1PR, 1RR, 8TN, 9IN), 438C</b>				
261-2209	Transmission Controller		1	2.0	
	<b>CAT 420E (PHC, PRA, GEK, DJL, DAN), 430E (MXB, RLN, SCD, SWC)</b>				
238-0120	Speed Sensor		1	0.1	
	<b>CAT 420XE, 420 (N2X), 440 (DC9, H9W, MZX), 450 (DYN, H9Y)</b>				
266-2337	Rotary Position Sensor		1	2.0	

**K13**

2026 Parts Catalog

## ELECTRICAL/SENSORS

CAT

Part No.	Description	Notes	Qty.	Wt.
	<b>CAT 307</b> (2WM), <b>312B</b> (6SW, 9FS), <b>315B L</b> (5SW), <b>317 N</b> (9SR), <b>320 L</b> (3XK, 9KK), <b>320B</b> (1XS, 3YZ), <b>320B L</b> (6LW, 7JR, 9WS), <b>320B L</b> (6LW, 7JR, 9WS), <b>320B N</b> (2AS), <b>322 L</b> (8ML), <b>322B L</b> (2ES), <b>322B LN</b> , <b>325B L</b> (4DS, 5BS, 6DN), <b>325B LN</b> , <b>330 L</b> (2EL), <b>330B L</b> (3YR, 4RS, 5LS), <b>330B LN</b> , <b>345B L</b> (2SW, 7KS)			
113-2531	Joystick, 3 Button w/o Connector		1	0.6
	<b>311D LRR</b> , <b>312D</b> , <b>312D L</b> (JBC, KES, SKA, TGY, XGK, RKF), <b>313D</b> , <b>314D CR</b> , <b>314D LCR</b> , <b>315D L</b> , <b>318D L</b> , <b>319D</b> , <b>319D L</b> , <b>320</b> (BR6, DYT, NMC, XAR, YBP, ZBN), <b>320D</b> , <b>320D FM</b> , <b>320D L</b> , <b>320D2 FM</b> , <b>320E</b> , <b>320E L</b> , <b>320E LRR</b> , <b>321D LCR</b> (MDT, MPG, NAS, PBD, TXA), <b>323</b> (BR9, DWF, KTY, NGY, RAZ, YBL), <b>323 GX</b> , <b>323D</b> , <b>323D L</b> , <b>323D LN</b> (RAC, CWG), <b>323D2</b> , <b>323D2 L</b> , <b>323E L</b> , <b>323F</b> (KBY, NCW), <b>323F L</b> , <b>323 GC</b> , <b>324E</b> , <b>324E L</b> , <b>324E LN</b> , <b>326</b> (EIJ, HFF, KCK), <b>326 GC</b> (DYG), <b>326D2</b> , <b>326D2 L</b> , <b>326F</b> (HCA, EBK, FBR), <b>326F L</b> , <b>326 GC</b> , <b>329D2</b> , <b>329D2 L</b> (THW, KJB, WDT), <b>329E</b> , <b>329E L</b> , <b>329E LN</b> , <b>329F L</b> , <b>330</b> (KEL, MGK, YCS), <b>330 GC</b> , <b>330D2</b> , <b>330D2 L</b> , <b>330F</b> , <b>330F L</b> , <b>336 GC</b> (HBY, JFW)			
238-0120	Speed Sensor		1	0.1
	<b>305 CR</b> , <b>305.5 CR</b> , <b>306</b> (6GG), <b>308</b> (GG8, GI3), <b>309</b> (GG9, GI4), <b>311D LRR</b> , <b>312D</b> (HCW, RHL), <b>312D L</b> , <b>315D L</b> (BZN, CIN, JGS), <b>319D L</b> (EAW, ZCA, AYE), <b>319D LN</b> , (FMH, KFM, RJP), <b>336E</b> , <b>336E L</b> (BZY, YEP, GTI, TEG), <b>345D</b> (NEG), <b>345D L</b> (BYC, JKN, PBT, RAE, EEH, KFH, MLK, RAI, RGD, RGG, YEE), <b>349D</b> , <b>349D L</b> (KLH, NNF, PZG, WTD, JGB, KHS), <b>349D2</b> , <b>349D2 L</b> (SDM, XAC), <b>374D L</b> (PAP, PAS, PAX, PJA)			
266-2337	Rotary Position Sensor		1	2.0
	<b>D3C III</b> (4KS, 4TS, 5GS), <b>D4C III</b> (4LS, 6BS, 8CS), <b>D5C III</b> (5HS, 6CS, 7PS) <b>DOZER</b>			
113-2531	Joystick, 3 Button w/o Connector		1	0.6
	<b>D3K</b> , <b>D4K</b> , <b>D5K</b> , <b>D6K</b> , <b>D6K2</b> (7PS, MXK, RST, WMR), <b>D4</b> (H3C, K3G, MTT), <b>D5</b> (BMG, NKW, NKX, ST6, Z2K, Z2N, Z2P), <b>D5R</b> , <b>D5R2</b> , <b>D6N</b> (GHS, MLW, DJA, DIJ, JAH, LJR, GB6, P5S, P5T, P5W, MGS, PBA, SGG, SAC6, NJN, PER)			
238-0120	Speed Sensor		1	0.1
	<b>CAT D3C-III</b> (4KS, 4TS, 5GS), <b>D4C-III</b> (4LS, 6BS, 8CS), <b>D5C-III</b> (7PS, 5HS, 6CS), <b>933C</b>			
165-4754	Joystick, 3 Button w/ Connector		1	0.6
	<b>953K</b> , <b>963D</b> , <b>963K</b> , <b>973</b> (ELY, FSA), <b>973D</b> , <b>973K</b> , <b>239D</b> , <b>239D3</b> , <b>249D</b> , <b>249D3</b> (P9C, R9E, WSS), <b>255</b> (DY7, FL7), <b>259D</b> , <b>259D3</b> , <b>265</b> (UN6, KR4), <b>275</b> (P9F, R8Y), <b>275XE</b> , <b>279D</b> , <b>279D3</b> (RB9, SZ9, TB9, Z9E), <b>285</b> (2X2, WH9), <b>285XE</b> , <b>289D</b> , <b>289D3</b> (BT9, JX9, KX9, LA9), <b>299D</b> (GTC), <b>299D XHP</b> (IST), <b>299D2</b> (BY4, FD2), <b>299D2 XHP</b> , <b>299D3</b> , <b>299D3 XE</b> , <b>953</b> (LTL, YTL)			
266-2337	Rotary Position Sensor		1	2.0
	<b>CAT 924G</b> , <b>924GZ</b> (WGX, DFZ, AAB, RTA), <b>924H</b> (HXC, JTM, KLN, RRS, LKW), <b>924HZ</b> (JZZ, PED, JRL, WLB), <b>928G</b> (WLG, DID, 6XR, 7SR), <b>928HZ</b> (BYD)			
287-0524	Joystick, FNR		1	0.5
	<b>924H</b> , <b>924K</b> , <b>926</b> (KBE), <b>926M</b> (WSL), <b>928H</b> , <b>930</b> (F3S, HFL, KWL, SAS), <b>930H</b> , <b>930K</b> , <b>930M</b> , <b>938</b> , <b>938H</b> , <b>938K</b> , <b>938M</b> , <b>950</b> (CE7, CM2, RM7, TN2, WFB, WL6, WL7, WL8), <b>950 GC</b> , <b>950K</b> , <b>950L</b> , <b>950M</b> (EMB, ENE, FTR, J1S, LCR, XCI), <b>962</b> (FC3, MT2, WL9, WLJ, WLX, WLZ, ZDB, RCL), <b>962K</b> , <b>962L</b> (SXS), <b>962M</b> (EIB, F2T, J2S, JYD, LSE), <b>966</b> , <b>966F</b> (4YG), <b>966F2</b> , <b>966K XE</b> , <b>966M XE</b> , <b>966XE</b> (HNP, MZN), <b>972</b> (SM2, FFB, FGD, M7P, W99, W9F9), <b>972M XE</b> , <b>972 XE</b>			
238-0120	Speed Sensor		1	0.1
	<b>938F</b> , <b>950F</b> (4DJ), <b>950F2</b> , <b>960F</b> , <b>966F</b> (8BG), <b>966F2</b> , <b>970F</b> , <b>980F</b> (5XJ), <b>980F2</b>			
165-4754	Joystick, 3 Button w/ Connector		1	0.6

K14

2026 Parts Catalog

## ELECTRICAL/SENSORS

CAT

Part No.	Description	Notes	Qty.	Wt.
	<b>CAT 938F</b> , <b>950F</b> (4DJ), <b>950F2</b> , <b>960F</b> , <b>966F</b> (8BG), <b>966F2</b> , <b>970F</b> , <b>980F</b> (5XJ), <b>980F2</b>			
212-0403	FNR Transmission Controller, 4 Speed w/ Lock		1	3.8
	<b>906</b> (HZ6, LZ6, MZ6), <b>907</b> (HZ7, MZ7), <b>908</b> (HZ8, LZ8, MZ8), <b>924</b> (KWK), <b>924K</b> , <b>926</b> (KBE), <b>926M</b> , <b>930</b> (F3S, HFL, KWL), <b>930K</b> (FRK, HEG, DYB, EYE, P3K, RHN), <b>930M</b> , <b>938</b> (EZY, KWS), <b>938H</b> , <b>938K</b> (REP, HFW, SWL, W8K, XXT), <b>938M</b> , <b>950</b> (CE7, CM2, RM7, TN2, WFB, WL6, WL7, WL8), <b>950G2</b> (AXX, AYE, AYL, AXR, BAA), <b>950GC</b> , <b>950H</b> , <b>950K</b> , <b>950L</b> , <b>950M</b> , <b>950M Z</b> , <b>962</b> (RCL, FC3, LN6, MT2, WL9, WLJ, WLX, WLY, WLZ, ZDB), <b>962G2</b> (AXY, AYE, BAB, AXS, BAD), <b>962H</b> , <b>962K</b> , <b>962L</b> , <b>962M</b> , <b>962M Z</b> , <b>966</b> (AH8, EL9, J8R, M7R, RD6, WLW), <b>966GC</b> , <b>966 XE</b> (XSM), <b>966G2</b> (AWY, AXJ, ANZ, ANT), <b>966H</b> , <b>966K</b> (PBG, TFS), <b>966M</b> , <b>966M XE</b> , <b>966 XE</b> (EL8, HNP, MZN), <b>972</b> (FFB, FGD, M7P, SM2, W99, W9F9), <b>972 XE</b> (SLS), <b>972G2</b> (AXC, AXN, AWP, ANY), <b>972H</b> , <b>972K</b> , <b>972L</b> , <b>972M</b> , <b>972M XE</b> , <b>972XE</b> , <b>980</b> (CF8, CXS, GYL, MK7, MK9, WFX), <b>980 XE</b> (EZR, Z8L), <b>980G2</b> (AXG, AWH), <b>980 GC</b> (MMW7, WC9), <b>980H</b> , <b>980K</b> , <b>980L</b> , <b>980M</b> , <b>980 XE</b> (XE3, XMA), <b>982</b> (FS2, L84, MK8, T4M, W82, W9F), <b>982 XE</b> (FL6, YBY), <b>982M</b> , <b>982 XE</b> (XE4, YWC), <b>986</b> (W7L, W7M, W7R, W7S), <b>986H</b> , <b>986K</b> , <b>988</b> (FXH, FXL, L8Z, LVZ, S3K, SVK), <b>988G</b> , <b>988GC</b> , <b>988H</b> , <b>988K</b> , <b>988 XE</b> , <b>990</b> (T6F, TY5), <b>990K</b> , <b>992</b> (AP7, SM4), <b>992G</b> (AZX), <b>992K</b> , <b>993</b> (ZNA, ZNB), <b>993K</b> , <b>994F</b> , <b>994H</b> , <b>994K</b> , <b>995</b> (R8M, RXD)			
266-2337	Rotary Position Sensor		1	2.0
	<b>CAT 950G</b> (4BS, 6NS, 2JS), <b>950G2</b> (AYB, AYD, AXR), <b>950H</b> , <b>950K</b> , <b>962G</b> (5AS, 5RS, 3BS), <b>962G2</b> (AYE, AVG, AXS), <b>962H</b> , <b>962K</b> , <b>966G</b> (3ZS, AAH, 9RS), <b>966G2</b> (ANT, AWZ), <b>966H</b> (AGJ, A6D, A6G, B1G, B5G, RYF, TAL), <b>972G</b> (7LS, AAW, 1EW), <b>972G2</b> (AXC, ANY, AXE), <b>972H</b> (A7D, A7J, A7G, GTA, LCC, WXZ), <b>980G</b> , <b>980G2</b> , <b>980H</b>			
491-3736	FNR Switch, Joystick Repair		1	0.1
	<b>CAT 924G</b> (DDA, EEB, RBB, WMB), <b>924GZ</b> (DFZ, RTA, WGX), <b>924H</b> , <b>924HZ</b> , <b>928G</b> (DJD, WLG), <b>928H</b> , <b>928HZ</b> , <b>930G</b> , <b>930H</b> , <b>938G2</b> (PHN, RTB), <b>938H</b>			
462-1017	Transmission Controller, 4 Speed		1	4.8
	<b>CAT 928G</b> (6XR, 7SR), <b>938G</b> (4YS, 6WS, 9HS), <b>950G</b> (3JW, 4BS, 5FW, 5MW, 8JW), <b>950G II</b> (AXX, AYL, AYS, BAA), <b>950GC</b> , <b>950H</b> , <b>950K</b> , <b>962G</b> (4PW, 5AS, 6EW, 6HW, 7BW, BDP), <b>962G II</b> (AXY, BAB, BAC, BAD), <b>962H</b> , <b>962K</b> , <b>966 GC</b> (SG7, SGW), <b>966G</b> (3PW, 3SW, 8XW, HDH), <b>966G2</b> (ANZ, AXI, AXL), <b>966H</b> , <b>966K</b> (PBG, TFS), <b>972G</b> (4WW, 6AW, 9GW), <b>972G II</b> (AWP, AXN, AXP), <b>972H</b> , <b>972K</b> , <b>980GC</b> , <b>980K</b> (GTZ, W7K), <b>986H</b> (986), <b>988H</b> (BXY)			
299-5840	Transmission Controller, 4 Speed		1	4.8
	<b>CAT 924G</b> , <b>924GZ</b> , <b>928G</b> , <b>938G</b> , <b>938G2</b> , <b>938H</b> , <b>950G</b> (3JW, 5FW, 8JW, 4BS, 5MW, 6NS), <b>950G2</b> (AYS, AXX, AYL, BAA), <b>950GC</b> , <b>950H</b> , <b>950K</b> , <b>962G</b> (4PW, 6EW, 7BW, 5AS, 6HW, 7BW), <b>962G2</b> (BAC, AXY, BAB, BAD), <b>962H</b> , <b>962K</b> , <b>966G</b> (3SW, 3PW, 8XW, HDH), <b>966G2</b> (AXL, ANZ, AXI), <b>966H</b> , <b>966K</b> (PBG, TFS), <b>972G</b> (4WW, 6AW, 9GW), <b>972H</b> , <b>972K</b> , <b>980K</b> (GTZ, W7K), <b>986H</b> , <b>988H</b> (BXY)			
299-5839	Transmission Controller, 4 Speed		1	4.8
	<b>CAT CATERPILLAR 918F</b> , <b>924F</b> , <b>928F</b>			
136-7822	FNR Transmission Controller, 4 Speed w/ Lock		1	3.8
	<b>CAT 938G</b> , <b>938G2</b> , <b>938H</b> , <b>950</b> (CE7, CM2, RM7, TN2, WFB, WL6, WL7, WL8), <b>950G</b> (2JS, 5FW, 3JW, 4BS, 5MW, 6NS, 8JW), <b>950G2</b> , <b>950H</b> , <b>950K</b> , <b>950L</b> , <b>950M</b> , <b>950MZ</b> , <b>962</b> , <b>962G</b> , <b>962G2</b> , <b>962H</b> , <b>962K</b> , <b>962L</b> , <b>962M</b> , <b>962MZ</b> , <b>966</b> , <b>966XE</b> (XSM), <b>966G</b> , <b>966G2</b> , <b>966H</b> , <b>966K</b> , <b>966L</b> , <b>966M</b> , <b>966M XE</b> , <b>966XE</b> , <b>972</b> , <b>972XE</b> , <b>972G</b> , <b>972G2</b> , <b>972H</b> , <b>972K</b> , <b>972L</b> , <b>972M</b> , <b>972M XE</b> , <b>972XE</b> , <b>980G</b> , <b>980G2</b>			
149-2612	Reverse Relay, 24V		1	0.6

K15

2026 Parts Catalog

PVE can design and build custom attachments for excavators, backhoes, wheel loaders, and dozers. Having the right attachment on your equipment will save you time while also enhancing your machine's performance

**2025 Custom Project:**

PVE Custom Bucket installed on a Deere 85 P Excavator



Custom Trenching Bucket for 70 Series Excavator



**SECTION L**  
**BUCKETS, CUTTING EDGES,**  
**THUMBS, RAKES, LOG ARCHES,**  
**& FORK ASSEMBLIES**



PVE Log Arches are designed to withstand the tough demands of the logging industry. Each arch comes complete with links, brackets, mounting pins, and arch. We offer log arches for most Deere, Cat and Case Dozers.



PV497A & PV6901 installed on a Deere 650J Dozer

**LOG ARCH SET**



[www.paintvalleyequipment.com](http://www.paintvalleyequipment.com)

Phone: 877-774-0081

Backhoe Buckets

Excavator Buckets

Bucket Teeth

Cutting Edges

Fork Assemblies

Log Arches & Fairleads

Root Rakes

Excavator Thumbs

Section L

## SECTION L

### BUCKETS, CUTTING EDGES, THUMBS, RAKES, LOG ARCHES, FORKS

	Page
<b>DOZER CUTTING EDGES</b>	
CASE	L1
JOHN DEERE	L1
CATERPILLAR	L2
DRESSER	L2
KOMATSU	L2
<b>BACKHOE CUTTING EDGES</b>	
CASE	L2
CAT	L2
JOHN DEERE	L2
<b>WELD ON CUTTING EDGES</b>	L2
<b>BUCKET TEETH &amp; ADAPTERS</b>	L3
<b>BACKHOE BUCKETS</b>	
CASE	L4
JOHN DEERE	L4
FORD	L4
CAT	L4
<b>MINI EXCAVATOR BUCKETS</b>	
BOBCAT, CAT	L5
DEERE, KUBOTA, YANMAR	L6
OTHER	L6, L7
<b>EXCAVATOR BUCKETS</b>	L7
<b>BACKHOE RIPPERS</b>	L8
<b>EXCAVATOR RIPPERS</b>	L9
<b>EXCAVATOR ROOT RAKES</b>	L10
<b>THUMBS</b>	L11
<b>LOG ARCHES</b>	L11, L12
<b>LOG SKIDDER ARCH ROLLER KITS</b>	L13
<b>FORK ASSEMBLIES</b>	L14
<b>DOZER ROOT RAKES</b>	L14

### DOZER CUTTING EDGES

CASE DOZERS	L/H	CENTER	R/H
350B	R57841	R24492	R57841
450, 450B, 450C	R57841	R57842	R57841
450C, 550, 550G LGP	R57841	R57843	R57841
550, 550G	R57841	R57844	R57841
550H	305440A1	311729A1	305440A1
550H LGP	305440A1	N/A	305440A1
650	R42470	R44600	R42470
850B, 850C, 850D, 850E	R42470	R44600	R42470
650G, 650H, 650K, 750H, 750K	R42490	(2) 115631A1	R42490
850G, 850H, 850K	R42490	(2) 115631A1	R42490
1150B	N/A	R41350	N/A
1150E	R42470	(3) R44885	R42470
1150G, 1150H	R42490	N/A	R42490

JOHN DEERE DOZERS	L/H	CENTER	R/H
350B, 350C, 350D	U11708	U11707	U11708
400G	T31148	N/A	T31148
450, 450C, 450D, 450E, 550	T31148	U16748	T31148
450E, 550, 550B	T31148	T32742	T31148
450G, 450H, 450J, 450K, 450 P, 550G, 550K, 650G, 650K, 97" Blade	T120978	T120979	T120978
450K, 450 P, 550G, 550H, 550J, 550K, 550 P, 650G, 650H, 650J, 650K, 650 P w/105" Blade	T120978	T120980	T120978
550G, 550H, 550J, 650G, 650H, 650J, 121" Blade	T162841	T120981	T162841
450G, 450H, 450J, 450K, 550G, 550H, 115" Blade	T162841	T140560	T162841
550J, 550K, 650G, 650H, 650J, 650K, 115" Blade	T162841	T140560	T162841
450G, 450H, 450J, 450K, 450 P, 550G, 550K, 650G, 650K, 90" Blade	T120978	T127297	T120978
450H, 450J, 450K, 450 P, 550J, 550K, 550 P, 650J, 650K, 650 P w/ 124" Blade	T120978	T172943	T120978
450K, 550H, 550J, 550K, 650G, 650H, 650J, 650K, 650 P w/128" Blade	T120978	T155646	T120978
700H s/n -937546 w/121" Blade	T162841	T224178	T162841
700H s/n -937546 132" Blade	T162841	T224179	T162841
700H s/n 937547-, 700J, 700K, 700L - 121" Blade	T223520	T224178	T223519
700H s/n 937547-, 700J, 700K, 700L - 133" Blade	T223520	T224179	T223519

Power Angle Tilt Dozers Only	L/H	Inner Center	Outer Center	R/H
750J, 750K - 129" Blade	T204081	T204082	(2) T195673	T204080
750J, 750K, 750L - 156" Blade	T204081	T204082	(2) T204083	T204080
850J, 850K, 850L 146" Blade	T187244		(3) T187987	T187243
850J, 850K, 850L - 158" Blade	T187244	T187988	(2) T187987	T187243
850J, 850K, 850L - 168" Blade	T187244	T187988	(2) T187989	T187243

**DOZER & BACKHOE CUTTING EDGES**

**WELD-ON EDGES**

CAT DOZERS		L/H	CENTER	R/H
D3, D3B		4T6229	(2) 4T6230	4T6229
D3B, D3C, D3G, D4C, D4G, D5G		6Y5840	(2) 4T6230	6Y5839
D3B, D3C, D3G, D3K, D4C, D4G, D4K, D5K		6Y5840	(2) 4T6232	6Y5839
D3C, D3G, D3K, D4G, D4K, D5G, D5K		6Y5840	(2) 157-7338	6Y5839
D1, D2, D3, D3K, D3K2, D4K, D4K2, D5K, D5K2		8E7078	(2) 331-0162	8E7079
D4C, D5C, D5G		6Y5840	(2) 6Y5842	6Y5839
D4C, D4G		6Y5840	(2) 104-9634	6Y5839
D5C, D5G		8E7078	(2) 3G9306	8E7079
D4H, D5M, D6K		8E9378	(2) 4T8940	8E9379
D4H, D5M, D6K		8E9378	(2) 8E9377	8E9379
D5H, D6M, D6R		3G4285	(2) 3G4282	3G4285
D5H, D6M, D6R, Hot Cup End Bits		4T5407		4T5408
D6H, D6R		9W8875	(2) 9W1878	9W8874
DRESSER DOZERS		L/H	CENTER	R/H
TD7		620529C1	(2) 620563C1	620530C1
TD7G		620529C1	(2) 620563C1	620530C1
TD8		620691C1	(2) 620690C1	620692C1
TD8G		620691C1	(2) 620690C1	620692C1
KOMATSU DOZERS		L/H	CENTER	R/H
D31, D37, D39		11G-71-31170	12F-70-31251, 12F-70-31261, 12F-70-31281	11G-71-31170
D51EX		12Y-72-11210	(3) 12Y-72-11220	12Y-72-11210
D51PX		12Y-72-11210	(2) 12Y-72-11230 & (1) 12Y-72-11220	12Y-72-11210
CASE BACKHOES - LOADER BUCKET		Part No.	Length	
580K, 580SK, 1845C, 435, 440, 445, 445CT, 450, 450CT, 465, 75XT, 85XT, 90XT, 95XT		299336A1	3/4" x 8" x 82"	
580L, 580SL, 580M, 580SM		112946A1	3/4" x 6" x 82"	
570LXT, 570MXT, 580L, 580SL, 580M, 580SM, 580N, 580SN		185506A1	3/4" x 6" x 94"	
CAT BACKHOES		Part No.	Length	
416B		(2) 9W8215	44 1/2"	
JOHN DEERE BACKHOES		Part No.	Length	
310E, 310G, 310J, 310K, 310SJ, 310SK, 315SK, 315SJ, 315SK, 315SL, 325SK, 325SL, 410D, 410E, 410G, 410J, 410K, 410L		T84194	92 3/8"	
310SK, 310J, 410D, 310E, 310G, 310SJ, 310K 315C, 315SJ, 410C 410G		T150517	86"	
CUTTING EDGE BOLTS		CUTTING EDGE NUTS		
4F3649 Bolt 1/2" x 2"	4F3672 Bolt 3/4" x 2"	1F7958	Nut 1/2"	
4F3654 Bolt 5/8" x 2"	5J4773 Bolt 3/4" x 2 1/2"	4K0367	Nut 5/8"	
4F3656 Bolt 5/8" x 2 1/2"	5J4771 Bolt 3/4" x 2 3/4"	2J3506	Nut 3/4"	
	4F0138 Bolt 3/4" x 3"			
WELD-ON CUTTING EDGES		Weight (lbs. / ft.)		
11318	3/4" x 4"	Flat Single Bevel	8.33	
11139	3/4" x 6"	Flat Single Bevel	12	
10549	3/4" x 8"	Flat Single Bevel	16.8	
10732	1" x 8"	Flat Single Bevel	24.38	

L2

2026 Parts Catalog

**BUCKET TEETH, & ADAPTERS**

Part No.	Description	Notes	Wt.
H&L STYLE			
230010	Adapter, Weld On	3/4" Cutting Edge	3.4
2740-ZW-23	Adapter, Weld On	1" Cutting Edge	3.6
230	Tooth		3.5
23P	Pin		0.1
HENSLEY STYLE			
230X156	Adapter, Weld On	3/4" Cutting Edge	3.6
X156	Tooth		2.6
P156	Pin		0.02
CAT STYLE			
8J7525	Adapter, Weld On	3/4" cutting edge	3.1
1U3202	Long Tooth		3
8E6208	Slotted Pin		0.1
8E6209	Retainer		0.1
6Y3224	Adapter, Weld On	1" cutting edge, 70 Series	6.6
6Y3222	Long Tooth	70 Series	4.2
6Y3228	Slotted Pin		0.1
3G9609	Retainer		0.1
6Y3254	Adapter, Weld On	1" cutting edge, 120 Series	9
1U3252	Long Tooth	120 Series	6.5
9J2258	Slotted Pin		0.2
3G9609	Retainer		0.1
3G6304	Adapter, Weld On	1 1/4" cutting edge, 160 Series	21
1U3302	Long Tooth	160 Series	10
9J2308	Slotted Pin		0.2
3G9609	Retainer		0.1
3G8354	Adapter, Weld On	1 1/2" cutting edge, 200 Series	21
1U3352	Long Tooth	200 Series	13
8E6358	Slotted Pin		0.2
3G9549	Retainer		0.1

L3

2026 Parts Catalog

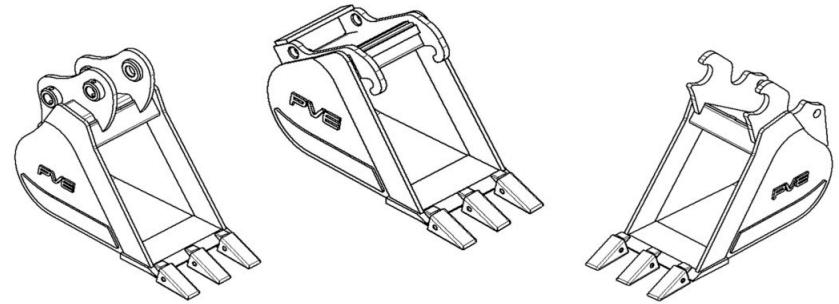
**CASE, CAT, DEERE, & FORD BACKHOE BUCKETS** **STOCK**

Part No.	Description	Notes	Capacity (cu ft)	Wt.
<b>CASE 480C, 480D, 480E, 480F, 580, 580B, 580C, 580D, 580SE, 580K, 580SK, 580L, 580SL, 580M, 580SM, 590, 590SL, 590SM, 680, 680B, 680C, 680D, 680E, 680K, 680L</b>				
PV440	13" bucket, with 3 teeth		3.5	320
PV441	18" bucket, with 4 teeth		5.4	350
PV442	24" bucket, with 5 teeth		7.8	410
PV443	36" bucket, with 6 teeth		12.7	515
PV444	48" Ditch bucket, (smooth edge)		11.4	490
PVGB1	32"- 42" Cemetery bucket, (smooth edge) - <i>select width at time of order</i>			
<b>CASE 580N, 580SN, 590SN</b>				
PV2001	13" bucket, with 3 teeth		3.5	320
PV2002	18" bucket, with 4 teeth		5.4	350
PV2003	24" bucket, with 5 teeth		7.8	410
PV2004	36" bucket, with 6 teeth		12.7	515
PV2006	48" Ditch bucket, (smooth edge)		11.4	490
PVGB2	32"- 42" Cemetery bucket, (smooth edge) - <i>select width at time of order</i>			
<b>JOHN DEERE 300D, 310C, 310D, 310E, 310G, 310J, 310K, 310L, 310P, 410, 410B, 410C, 410D, 510B, 510C, 510D, 610, 610B, 610C</b>				
PV450	13" bucket, with 3 teeth		3.5	320
PV451	18" bucket, with 4 teeth		5.4	350
PV452	24" bucket, with 5 teeth		7.8	410
PV453	36" bucket, with 6 teeth		12.7	515
PV454	48" Ditch bucket, (smooth edge)		10.1	490
PVGB3	32"- 42" Cemetery bucket, (smooth edge) - <i>select width at time of order</i>			
<b>JOHN DEERE 310SE, 310SG, 310SJ, 310SK, 310SL, 315SE, 315SG, 315SJ, 315SK, 315SL, 320P, 325J, 325K, 325SK, 325SL, 410E, 410G, 410J, 410K, 410L, 410P</b>				
PV465	13" bucket, with 3 teeth		3.5	320
PV466	18" bucket, with 4 teeth		5.4	350
PV467	24" bucket, with 5 teeth		7.8	410
PV468	36" bucket, with 6 teeth		12.7	515
PV469	48" Ditch bucket, (smooth edge)		10.1	490
PVGB4	32"- 42" Cemetery bucket, (smooth edge) - <i>select width at time of order</i>			
<b>FORD 555, 555B, 555C, 555D, 555E, 655, 655B, 655C, 655D, 655E</b>				
<b>NEW HOLLAND LB75, LB75B, LB90, LB90B, LB110, LB110B, LB115, LB115B, B95, B110, B115</b>				
PV455	13" bucket, with 3 teeth		3.5	370
PV456	18" bucket, with 4 teeth		5.4	420
PV457	24" bucket, with 5 teeth		7.8	485
PV458	36" bucket, with 6 teeth		12.7	600
PV459	48" Ditch bucket, (smooth edge)		10.1	570
<b>CAT 416, 416B, 416C, 416D, 416E, 416F, 420D, 420E, 420F, 424D, 426, 426B, 426C, 428D, 430D, 430E, 430F, 432D, 432E, 432F, 438D, 442D</b>				
PV421	13" bucket, with 3 teeth		3.5	320
PV422	18" bucket, with 4 teeth		5.4	350
PV423	24" bucket, with 5 teeth		7.8	410
PV424	36" bucket, with 6 teeth		12.7	515
PV425	48" ditch bucket, smooth edge		10.1	490
PVGB5	32"- 42" Cemetery bucket, (smooth edge) - <i>select width at time of order</i>			

Backhoe bucket specs: 1/4" AR 200 plate sides & bottom, 3/8" wear plates on bottom, 3/4 x 8" cutting edge, H & L style teeth

**MINI-EXCAVATOR HEAVY DUTY BUCKETS**

**BOBCAT, CAT**



Part No.	Description	Notes	Capacity (cu ft)	Wt.
<b>Bobcat Mini Excavator Buckets - X-Change Coupler (5000 To 8000 Lbs.)</b> <b>311, 325, 328, 329, 331, 334, 425, E25, E26, E27, E32, E34, E35 Model Series</b>				
PV427B	13" bucket, with 3 teeth		1.6	165
PV428B	18" bucket, with 4 teeth		2.4	225
PV429B	24" bucket, with 5 teeth		3.4	250
PV430B	36" bucket, (Ditch) smooth edge		5.1	300
<b>Bobcat Mini Excavator Buckets - X-Change Coupler (8000 To 12000 Lbs.)</b> <b>335, 337, 341, 430, 435, E42, E45, E50, E55 Model Series</b>				
PV445B	13" bucket, with 3 teeth		2.2	250
PV446B	18" bucket, with 4 teeth		3.4	270
PV447B	24" bucket, with 5 teeth		4.8	305
PV448B	36" bucket, (Ditch) smooth edge		7.7	350
PV449B	48" bucket, (Ditch) smooth edge		10.0	425
<b>Cat Mini Excavator Buckets (5000 To 8000 Lbs.)</b> <b>302, 302.5, 303, 303.5 Model Series - Verify sub model prior to ordering</b>				
PV427C	13" bucket, with 3 teeth		1.6	165
PV428C	18" bucket, with 4 teeth		2.4	225
PV429C	24" bucket, with 5 teeth		3.4	250
PV430C	36" bucket, (Ditch) smooth edge		5.1	300
<b>Cat Mini Excavator Buckets (8000 To 12000 Lbs.)</b> <b>304, 304.5, 305, 305.5 Model Series - Verify sub model prior to ordering</b>				
PV445C	13" bucket, with 3 teeth		2.2	250
PV446C	18" bucket, with 4 teeth		3.4	270
PV447C	24" bucket, with 5 teeth		4.8	305
PV448C	36" bucket, (Ditch) smooth edge		7.7	350
PV449C	48" bucket, (Ditch) smooth edge		10.0	425

*Allow 5 days to prepare bucket halter prior to shipping. Pins sold seperately*

**MINI-EXCAVATOR HEAVY DUTY BUCKETS**

**JOHN DEERE, KUBOTA, YANMAR**

Part No.	Description	Notes	Capacity (cu ft)	Wt.
<b>John Deere Mini Excavator Buckets - Wedglock Coupler (5000 To 8000 Lbs.)</b>				
<b>25, 26, 27, 30, 35 Model Series, 110 Series Loader Backhoes w/ Wedglock Coupler</b>				
PV427J	13" bucket, with 3 teeth		1.6	165
PV428J	18" bucket, with 4 teeth		2.4	225
PV429J	24" bucket, with 5 teeth		3.4	250
PV430J	36" bucket, (Ditch) smooth edge		5.1	285
<b>John Deere Mini Excavator Buckets - Wedglock Coupler (8000 To 12000 Lbs.)</b>				
<b>50 Model Series</b>				
PV445J	13" bucket, with 3 teeth		2.2	250
PV446J	18" bucket, with 4 teeth		3.4	270
PV447J	24" bucket, with 5 teeth		4.8	305
PV448J	36" bucket, (Ditch) smooth edge		7.7	350
PV449J	48" bucket, (Ditch) smooth edge		10.0	425
<b>Kubota Mini Excavator Buckets - Kubota Coupler (5000 To 8000 Lbs.)</b>				
<b>KX033, KX037, KX71, KX91, KX101, U25, U27 Model Series</b>				
PV427K	13" bucket, with 3 teeth		1.6	165
PV428K	18" bucket, with 4 teeth		2.4	225
PV429K	24" bucket, with 5 teeth		3.4	250
PV430K	36" bucket, (Ditch) smooth edge		5.1	300
<b>Kubota Mini Excavator Buckets - Kubota Coupler (8000 To 12000 Lbs.)</b>				
<b>KX040, KX057, KX121, KX161, U30, U35, U45, U48, U55 Model Series w/ Coupler</b>				
PV445K	13" bucket, with 3 teeth		2.2	250
PV446K	18" bucket, with 4 teeth		3.4	270
PV447K	24" bucket, with 5 teeth		4.8	305
PV448K	36" bucket, (Ditch) smooth edge		7.7	350
PV449K	48" bucket, (Ditch) smooth edge		10.0	425
<b>Yanmar Mini Excavator Buckets (5000 To 8000 Lbs.) - Must also purchase PVE pins</b>				
<b>B25, B27, B30, B37, VIO27, VIO30, VIO33, VIO35 Model Series</b>				
PV427Y	13" bucket, with 3 teeth		1.6	165
PV428Y	18" bucket, with 4 teeth		2.4	225
PV429Y	24" bucket, with 5 teeth		3.4	250
PV430Y	36" bucket, (Ditch) smooth edge		5.1	300
<b>Yanmar Mini Excavator Buckets (8000 To 12000 Lbs.) - Must also purchase PVE pins</b>				
<b>B50, VIO40, VIO45, VIO50, VIO55 Model Series</b>				
PV445Y	13" bucket, with 3 teeth		2.2	250
PV446Y	18" bucket, with 4 teeth		3.4	270
PV447Y	24" bucket, with 5 teeth		4.8	305
PV448Y	36" bucket, (Ditch) smooth edge		7.7	350
PV449Y	48" bucket, (Ditch) smooth edge		10.0	425
<b>BUCKET PINS FOR PVE YANMAR BUCKETS</b>				
PVP1	Bucket Pin (38mm x 9-1/8")	Fits w/ PV427Y-PV430Y Buckets	4.5	
PVP4	Bucket Pin (45mm x 10-1/2")	First w/ PV445Y-PV449Y Buckets	7.5	
<b>15 Series Mini Excavator Buckets (Up to 5,000 pounds)</b>				
PV2014	9" bucket, with 3 teeth		0.8	80
PV2015	13" bucket, with 3 teeth		1.0	100
PV2016	18" bucket, with 4 teeth		1.6	140
PV2017	24" bucket, with 5 teeth		2.1	190
PV2018	36" bucket, (Ditch) smooth edge		2.9	250

*Allow 5 days to prepare bucket halter prior to shipping. Pins sold separately*

**L6**

2026 Parts Catalog

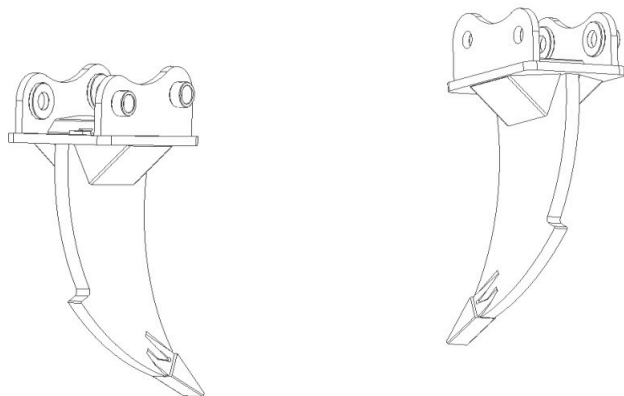
**HEAVY DUTY EXCAVATOR BUCKETS**

Part No.	Description	Notes	Capacity (cu ft)
<b>25 Series Mini Excavator Buckets (5,000 To 8,000 Lbs.)</b>			
PV427	13" bucket, with 3 teeth		1.6
PV428	18" bucket, with 4 teeth		2.4
PV429	24" bucket, with 5 teeth		3.4
PV430	36" bucket, (Ditch) smooth edge		5.1
PVGB25	32"- 42" Cemetery bucket, (smooth edge) - <i>select width at time of order</i>		
Bucket specs: 1/4" AR200 plate sides & bottom, 1/4" AR200 wear plates on bottom, 3/4" x 6" cutting edge, H & L style teeth			
<b>40 Series Mini Excavator Buckets (8,000 To 14,000 Lbs.)</b>			
PV445	13" bucket, with 3 teeth		2.2
PV446	18" bucket, with 4 teeth		3.4
PV447	24" bucket, with 5 teeth		4.8
PV448	36" bucket, (Ditch) smooth edge		7.7
PV449	48" bucket, (Ditch) smooth edge		10.0
PVGB40	32"- 42" Cemetery bucket, (smooth edge) - <i>select width at time of order</i>		
Bucket specs: 1/4" AR200 plate sides & bottom, 3/8" AR200 wear plates on bottom, 3/4" x 8" cutting edge, H & L style teeth			
<b>70 Series Excavator Buckets (14,000 To 20,000 Lbs.)</b>			
PV528	18" bucket, with 4 teeth		5.0
PV529	24" bucket, with 5 teeth		7.2
PV530	36" bucket, with 7 teeth		10.1
PV531	48" bucket (Ditch) smooth edge		10.1
Bucket specs: 1/4" AR200 plate bottom, 3/8" sides, 3/8" AR200 wear plates on bottom, 1" x 8" cutting edge, Cat style teeth			
<b>120 Series Excavator Buckets (20,000 To 30,000 Lbs.)</b>			
PV536	18" bucket, with 3 teeth		9.0
PV537	24" bucket, with 4 teeth		12.0
PV538	42" bucket, with 6 teeth		18.8
PV539	60" bucket (Ditch) smooth edge		19.5
Specs: 3/8" AR200 plate bottom & sides, 3/8" AR200 wear plates on bottom & sides, 1" x 10" cutting edge, Cat style teeth			
<b>160 Series Excavator Buckets (30,000 To 40,000 Lbs.)</b>			
PV540	24" bucket, with 3 teeth		15.0
PV541	36" bucket, with 4 teeth		23.0
PV542	48" bucket, with 6 teeth		30.0
PV543	72" bucket (Ditch) smooth edge		35.0
3/8" AR200 plate bottom 1/2" AR200 sides 3/8" AR200 wear plates on bottom & sides 1 1/4" x 12" cutting edge, Cat style teeth			
<b>200 Series Excavator Buckets (40,000 To 53,000 Lbs.)</b>			
PV544	24" bucket, with 3 teeth		19.0
PV545	36" bucket, with 4 teeth		28.0
PV546	48" bucket, with 6 teeth		37.0
PV547	72" bucket (Ditch) smooth edge		46.0
3/8" AR200 plate bottom 1/2" AR200 sides 3/8" AR200 wear plates on bottom & sides 1 1/2" x 12" cutting edge, Cat style teeth			
<b>250 Series Excavator Buckets (53,000 To 63,000 Lbs.)</b>			
PV548	Buckets available in custom widths		
3/8" AR200 plate bottom 1/2" AR200 sides 3/8" AR200 wear plates on bottom & sides 1 3/4" x 14" cutting edge, Cat style teeth			
<b>300 Series Excavator Buckets (63,000 To 73,000 Lbs.)</b>			
PV552	Buckets available in custom widths		
1/2" AR200 plate bottom 1/2" AR200 sides 1/2" AR200 wear plates on bottom & sides 2" x 14" cutting edge, Cat style teeth			
<b>350 Series Excavator Buckets (73,000 To 85,000 Lbs.)</b>			
PV553	Buckets available in custom widths		
1/2" AR200 plate bottom 1/2" AR200 sides 1/2" AR200 wear plates on bottom & sides 2" x 16" cutting edge, Cat style teeth			

**L7**

2026 Parts Catalog

**BACKHOE RIPPERS**



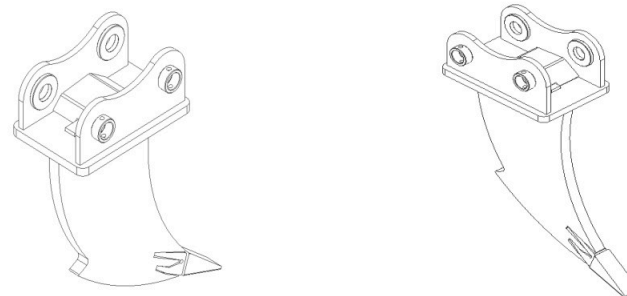
Part No.	Description	Notes	Wt.
<b>CASE 480E, 480F, 580, 580B, 580C, 580D, 580SE, 580K, 580SK, 580L, 580SL, 580M, 580SM, 590, 590SL, 590SM, 680, 680B, 680C, 680D, 680E, 680K, 680L</b>			
PV4001	Ripper w/ tooth	Shank Length: 24" Shank Thickness: 1.5"	
	<i>*Uses #230 H&amp;L style tooth</i>		
<b>CASE 580N, 580SN, 590SN</b>			
PV4002	Ripper w/ tooth	Shank Length: 24" Shank Thickness: 1.5"	
	<i>*Uses #230 H&amp;L style tooth</i>		
<b>JOHN DEERE 310, 310A, 310B, 310C, 310D, 310E, 310G, 310J, 310K, 310L, 410, 410B, 410C, 410D, 510B, 510C, 510D, 610, 610B, 610C</b>			
PV4003	Ripper w/ tooth	Shank Length: 24" Shank Thickness: 1.5"	
	<i>*Uses #230 H&amp;L style tooth</i>		
<b>JOHN DEERE 310SE, 310SG, 310SJ, 310SK, 310SL, 315SE, 315SG, 315SJ, 315SK, 315SL, 325J, 325K, 325SK, 325SL, 410E, 410G, 410J, 410K, 410L</b>			
PV4004	Ripper w/ tooth	Shank Length: 24" Shank Thickness: 1.5"	
	<i>*Uses #230 H&amp;L style tooth</i>		
<b>CAT 416, 416B, 416C, 416D, 416E, 416F, 420D, 420E, 420F, 424D, 426, 426B, 426C, 428D, 430D, 430E, 430F, 432D, 432E, 432F, 438D, 442D</b>			
PV4005	Ripper w/ tooth	Shank Length: 24" Shank Thickness: 1.5"	
	<i>*Uses #230 H&amp;L style tooth</i>		

\*Prices include halter and standard tooth. Tiger and twin tiger teeth can be substituted for an additional charge

**L8**

2026 Parts Catalog

**EXCAVATOR RIPPERS**



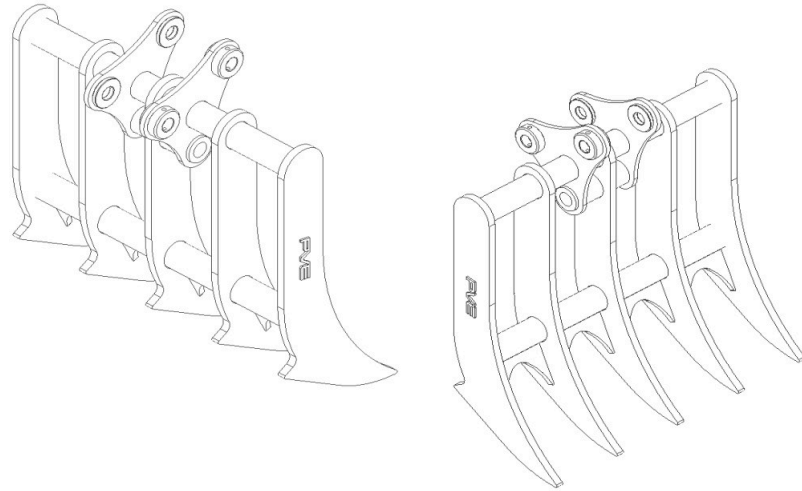
Part No.	Description	Notes	Wt.
<b>25 Series Mini Excavator (5000 To 8000 Lbs.)</b>			
PV4006	Ripper w/ tooth	Shank Length: 24" Shank Thickness: 1.5"	
	<i>*Uses #230 H&amp;L style tooth</i>		
<b>40 Series Mini Excavator (8000 To 14000 Lbs.)</b>			
PV4007	Ripper w/ tooth	Shank Length: 24" Shank Thickness: 1.5"	
	<i>*Uses #230 H&amp;L style tooth</i>		
<b>70 Series Excavator (14000 To 20000 Lbs.)</b>			
PV4008	Ripper w/ tooth	Shank Length: 30" Shank Thickness: 1.75"	
	<i>*Uses #6Y3222 Cat style tooth</i>		
<b>120 Series Excavator (20000 To 30000 Lbs.)</b>			
PV4009	Ripper w/ tooth	Shank Length: 36" Shank Thickness: 2"	
	<i>*Uses #6Y3222 Cat style tooth</i>		
<b>160 Series Excavator (30000 to 40000 Lbs.)</b>			
PV4010	Ripper w/ tooth	Shank Length: 42" Shank Thickness: 2.5"	1070
	<i>*Uses #1U3302 Cat style tooth</i>		
<b>200 Series Excavator (40000 to 53000 Lbs.)</b>			
PV4011	Ripper w/ tooth	Shank Length: 46" Shank Thickness: 2.75"	
	<i>*Uses #1U3352 Cat style tooth</i>		
<b>250 Series Excavator (53000 to 63000 Lbs.)</b>			
PV4012	Ripper w/ tooth	Shank Length: 50" Shank Thickness: 3"	
	<i>*Uses #9W8452 Cat style tooth</i>		
<b>300 Series Excavator (63000 to 73000 Lbs.)</b>			
PV4013	Ripper w/ tooth	Shank Length: 54" Shank Thickness: 3.5"	
	<i>*Uses #9W8452 Cat style tooth</i>		

\*Prices include halter and standard tooth. Tiger and twin tiger teeth can be substituted for an additional charge

**L9**

2026 Parts Catalog

**EXCAVATOR ROOT RAKES**



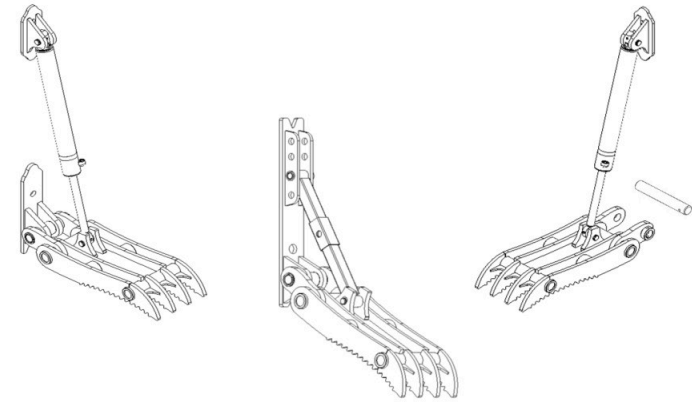
Part No.	Description	Notes			Wt.
<b>25 Series Mini Excavator (5000 To 8000 Lbs.)</b>					
			<b>Tine Height</b>	<b>Tine Thickness</b>	
PV4020	30" Root Rake	4 Tines	30"	1/2"	
<b>40 Series Mini Excavator (8000 To 14000 Lbs.)</b>					
			<b>Tine Height</b>	<b>Tine Thickness</b>	
PV4021	36" Root Rake	4 Tines	35"	3/4"	
<b>70 Series Excavator (14000 To 20000 Lbs.)</b>					
			<b>Tine Height</b>	<b>Tine Thickness</b>	
PV4022	42" Root Rake	5 Tines	40"	1"	
<b>120 Series Excavator (20000 To 30000 Lbs.)</b>					
			<b>Tine Height</b>	<b>Tine Thickness</b>	
PV4023	48" Root Rake	5 Tines	45"	1"	1200
<b>160 Series Excavator (30000 to 40000 Lbs.)</b>					
			<b>Tine Height</b>	<b>Tine Thickness</b>	
PV4024	54" Root Rake	6 Tines	50"	1-1/4"	
<b>200 Series Excavator (40000 to 53000 Lbs.)</b>					
			<b>Tine Height</b>	<b>Tine Thickness</b>	
PV4025	60" Root Rake	6 Tines	55"	1-1/4"	
<b>250 Series Excavator (53000 to 63000 Lbs.)</b>					
			<b>Tine Height</b>	<b>Tine Thickness</b>	
PV4026	72" Root Rake	7 Tines	60"	1-1/2"	
<b>300 Series Excavator (63000 to 73000 Lbs.)</b>					
			<b>Tine Height</b>	<b>Tine Thickness</b>	
PV4027	72" Root Rake	7 Tines	60"	1-1/2"	

\*Tine height is measured from ground vertically to the top of the tine

**L10**

2026 Parts Catalog

**EXCAVATOR THUMBS**



Part No.	Description	Notes	Wt.
<b>MINI EXCAVATORS &amp; BACKHOES (8,000 to 14,000 lb. Excavator)</b>			
			8" x 31"
PV4200	Manual Plate Mount Thumb	3 tines	127
PV4201	Hydraulic Plate Mount Thumb	3 tines	210
PV4202	Hydraulic Main Pin Thumb	3 tines includes main pin	
<b>70 SERIES THUMBS (14,000 to 20,000 lb. Excavator)</b>			
			12" x 40"
PV4300	Manual Plate Mount Thumb	3 tines	285
PV4301	Hydraulic Plate Mount Thumb	3 tines	308
PV4302	Hydraulic Main Pin Thumb	3 tines includes main pin	
<b>120 SERIES THUMBS (20,000 to 30,000 lb. Excavator)</b>			
			18" x 50"
PV4500	Manual Plate Mount Thumb	4 tines	600
PV4501	Hydraulic Plate Mount Thumb	4 tines	672
PV4502	Hydraulic Main Pin Thumb	4 tines includes main pin	715
<b>CATERPILLAR 311D LRR, 311F LRR, 312D, 312D L, 312D2, 312D2 L, 312D2 GC, 312E, 312E L, 312F, 312F GC, 313, 313D, 313D2, 313D2 GC, 313D2 LGP, 313F, 313F GC, 313F L, 313F LGC, 314C (KJA, PCA), 314D CR, 314D LCR, 314E CR, 314E LCR, 314F CR, 315F LCR MODELS WITH CAT COUPLER</b>			
PV4510	Hydraulic Main Pin Thumb	4 tines includes main pin	715
<b>160 SERIES THUMBS (30,000 to 40,000 lb. Excavator)</b>			
			22" x 54"
PV4600	Manual Plate Mount Thumb	4 tines	
PV4601	Hydraulic Plate Mount Thumb	4 tines	
PV4602	Hydraulic Main Pin Thumb	4 tines includes main pin	
<b>200 SERIES THUMBS (40,000 to 53,000 lb. Excavator)</b>			
			24" x 58"
PV4700	Manual Plate Mount Thumb	4 tines	1088
PV4701	Hydraulic Plate Mount Thumb	4 tines	1185
PV4702	Hydraulic Main Pin Thumb	4 tines includes main pin	

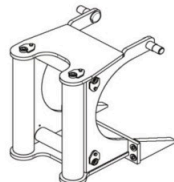
**L11**

2026 Parts Catalog

**DOZER FAIRLEADS, LOG ARCHES, & WINCH GUARD**

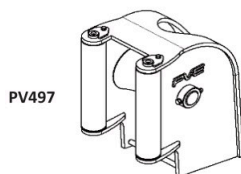


PV6901



PV4000

Part No.	Description	Notes	Wt.
<b>JOHN DEERE 350, 350B, 350C, 350D</b>			
PV498A	Log Arch		450
AT15492	Winch Fairleads		190
<b>JOHN DEERE 450-BCDE, 455D-E, 550-AB, 555-AB</b>			
PV498	Log Arch		473
AT15492	Winch Fairleads		190
<b>JOHN DEERE 4000 SERIES WINCH</b>			
PV499	Winch Fairleads		291
PV6901	Winch Guard		145
<b>ALLIED H5C WINCH</b>			
PV4000	Winch Fairleads	w/weld on brackets & pins	
<b>CASE 450, 450B, 450C, 455C, 850, 850B, 850C, 850D, 850E, 855C, 850D, 850G</b>			
PV494	Winch Fairleads	for model 19 winch	261
<b>CASE 650, 850B, 850C, 850D, 850E, 855C, 855D (w/ Model 19 Winch)</b>			
PV496	Log Arch		554



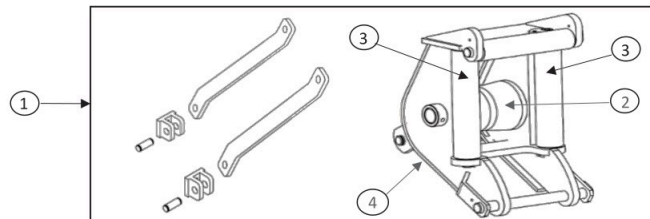
PV497

<b>FAB FIT BY CUSTOMER</b>			
PV497	Arch Head	Generic arch head to be shop fit by customer.*	240
PV4973	Arch Roller Kit		127
PV4972	Side Roller Kit		44

\*Warranty is void if installed on machine over 15,000 lbs.

**DOZER LOG ARCHES**

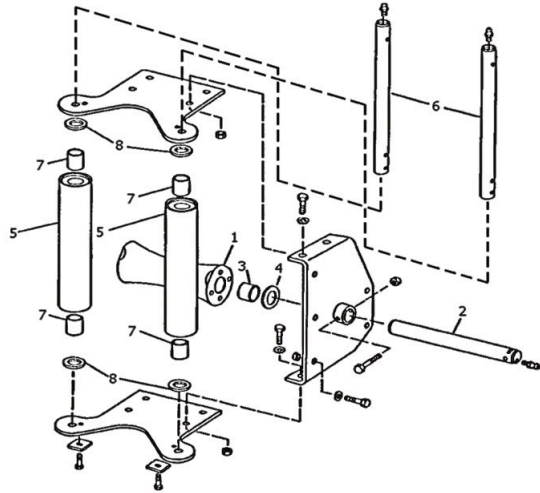
**CASE, CAT, JOHN DEERE**



Ref. Part No.	Description	Qty.	Wt.
<b>JOHN DEERE 450G, 550G, 650G, 450H w/ 4000 series winch</b>			
1 PV4400	Log Arch w/ Fairleads	1	680
<b>JOHN DEERE 450J, 550H, 650H, 550J, 650J w/ 4000 series winch</b>			
1 PV4401	Log Arch w/ Fairleads	1	680
<b>JOHN DEERE 450K, 450 P, 550K, 550 P, 650K, 650 P (LGP Models Only) w/ 4000 series winch</b>			
1 PV4403	Log Arch w/ Fairleads	1	680
<b>JOHN DEERE 450K, 450 P, 550K, 550 P, 650K, 650 P (LT and XLT Models Only) w/ 4000 series winch</b>			
1 PV4407	Log Arch w/ Fairleads	1	685
<b>JOHN DEERE 700H, 700J, 700K w/ 4000 series winch</b>			
1 PV4402	Log Arch w/ Fairleads	1	695
<b>JOHN DEERE 700H, 700J w/ Carco HD50 winch</b>			
1 PV4410	Log Arch w/ Fairleads	1	695
<b>JOHN DEERE 700K w/ Carco HD50 winch</b>			
1 PV4408	Log Arch w/ Fairleads	1	695
<b>Allied W3C winch</b>			
1 PV4413	Log Arch w/ Fairleads	1	695
<b>CAT D5G w/ Carco PA40 winch</b>			
1 PV4404	Log Arch w/ Fairleads	1	695
<b>CAT D3K, D3K2, D4K, D4K2, D5K, D5K2 w/ Carco PA40 winch</b>			
1 PV4409	Log Arch w/ Fairleads	1	695
<b>CAT D6K, D6K2, D4 (Next Gen) w/ Carco PA50 winch</b>			
1 PV4412	Log Arch w/ Fairleads	1	700
<b>CAT D6K, D6K2, D4 (Next Gen) w/ Allied H5C winch</b>			
1 PV4414	Log Arch w/ Fairleads	1	725
<b>CASE 850G w/ Carco 30 winch</b>			
1 PV4406	Log Arch w/ Fairleads	1	695
<b>Can Be Adapted To Fit Many Different Models</b>			
4 PV497A	Arch Head Only	* Arch head to be shop fit by customer.	571
<b>Replacement Parts For PVE 4400 Series Log Arches</b>			
2 PV4973	Arch Roller Kit		127
3 PV4974	Side Roller Kit		48

**LOG ARCH PIN & ROLLER KITS**

**JOHN DEERE**

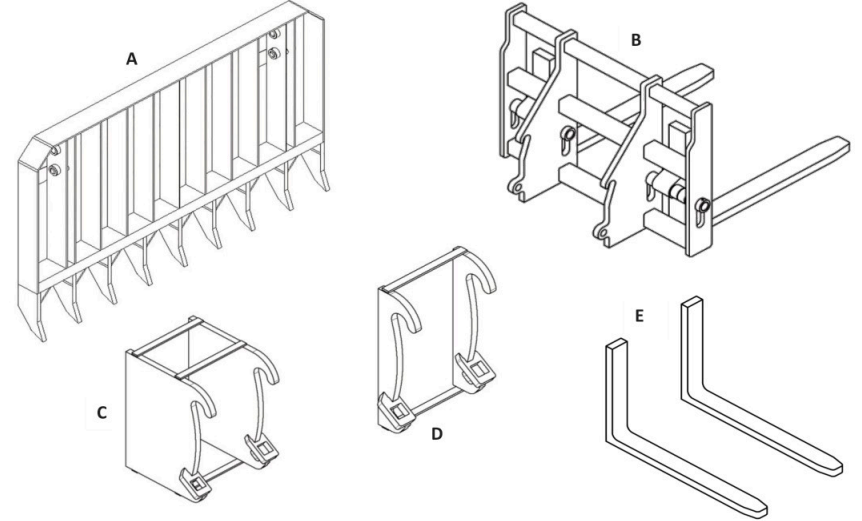


Ref. Part No.	Description	Pcs. Per Kit	Qty.	Wt.
<b>JOHN DEERE 540E, 540G, 540G-II, 540G-III s/n -599639, 640E, 640G, 640G-II, 640G-III s/n -599639</b>				
PV4977	Arch Roller Kit		1	136
1 AT90001	Roller, NSS	1		124
PV6510	Pin & Bushing Kit			13
2 T153416	Pin, NSS - Order PV6510	1		11
3 T185659	Bushing, NSS - Order PV6510	2		1.6
4 T39569	Washer	2		0.1
<b>JOHN DEERE 540E, 540G, 540G-II, 540G-III, 640E, 640G, 640G-II, 640G-III, 740E, 740G</b>				
PV4979	Side Roller Kit		2	97
5 AT193137	Roller, NSS	1		
6 AT168957	Pin, NSS	1		
7 T132057	Bushing, NSS	2		
8 N2445W	Washer, NSS	2		
<b>JOHN DEERE 540B, 540D, 640D</b>				
PV4980	Arch Roller Kit		1	135
1 AT90001	Roller, NSS	1		124
PV6511	Pin & Bushing Kit			12
2 T26040	Pin, NSS - Order PV6511	1		10
3 T185659	Bushing, NSS - Order PV6511	2		1.6
4 T39569	Washer	2		0.1
PV4978	Side Roller Kit		2	112
5 AT42672	Roller, NSS	1		
6 AT42671	Pin, NSS	1		
7 C3274E	Bushing, NSS	2		
8 N2445W	Washer, NSS	2		

L14

2026 Parts Catalog

**WHEEL LOADER FORK ASSEMBLIES & DOZER ROOT RAKES**



Part No.	Description	Notes	Wt.
<b>Ref A DOZER ROOT RAKES</b>			
PV490	7' Wide	8 Tines	1020
PV491	8' Wide	9 Tines	1350
PV491A	8' Wide-Tall Style	9 Tines	1492
PV492	9' Wide	10 Tines	1611
PV493	10' Wide	11 Tines	2165
<i>ALL ROOT RAKES INCLUDE 2 MOUNTING BRACKETS &amp; 2 PINS</i>			
<b>Ref E BLANK FORKS</b>			
		<b>FORK SIZE</b>	
P2.063648	Forks	2.0 x 6 x 36 x 48	
P2.563648	Forks	2.5 x 6 x 36 x 48	
P2.563660	Forks	2.5 x 6 x 36 x 60	
P2.563672	Forks	2.5 x 6 x 36 x 72	
P3.063672	Forks	3.0 x 6 x 36 x 72	
P3.063684	Forks	3.0 x 6 x 36 x 84	
<i>ALL FORKS SOLD AS A SET ONLY</i>			
<b>Ref B CUSTOM FORK ASSEMBLIES</b>			
CUSTOM FORK ASSEMBLIES ARE AVAILABLE FOR ALL WHEEL LOADERS UP TO 40,000 LBS.			
ALL FORK ASSEMBLIES HAVE A 2 WEEK LEAD TIME, PLEASE CONTACT US FOR A QUOTE			
<b>Ref C, D WHEEL LOADER HALTER BLANKS</b>			
317-5562	Cat Fusion Halter Blank, Deep	<i>Trim to fit</i>	1085
315-6309	Cat Fusion Halter Blank, Shallow	<i>Flat surface mount</i>	300

L15

2026 Parts Catalog